

# FTF-3838 38" x 38" Veritek Performix Transfer Trench

**Model number:**

FT03838

**Dimensions:** 38" x 37" x 4"

**Installation:**

**Material:** Veritek



## Standard Features:

- Made of Veritek with no surface coating to chip or crack
- Low threshold entry
- Patented wall-to-wall trench system with attractive 304 stainless grate
- Will not mold or mildew, no grout to clean
- Pebbled, textured bottom surface
- Coordinates with other Swan Solid Surface shower systems

## Product characteristics:

- Unique Trench Drain
- Veritek compatible
- ADA-ANSI

## Warranty:

## Code Compliant:

ADA|ANSIA|ANSIB

## Standard colors:



White (010)



Bisque (018)



Bone (037)

## Certifications

Swan products adhere to one or more of the following certifications:



## Recommended products (Visit our website for a complete list of our recommended products)

No	Description
SW000018	SK-484896 48" x 48" x 96" Bath Wall Kit
SW000037	SSSQ-6296-1 62" x 96" Square Tile Bath Wall Single Panel
SW000039	SSST-6296-1 62" x 96" Subway Tile Panel

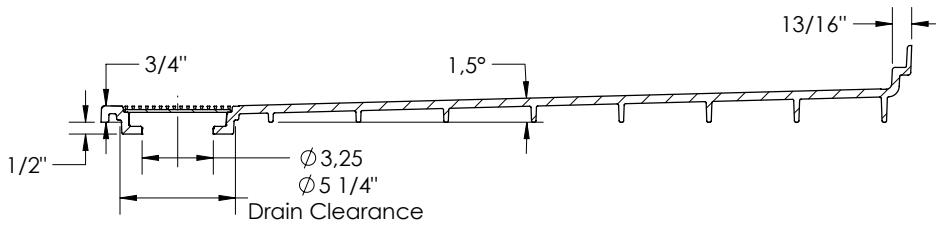
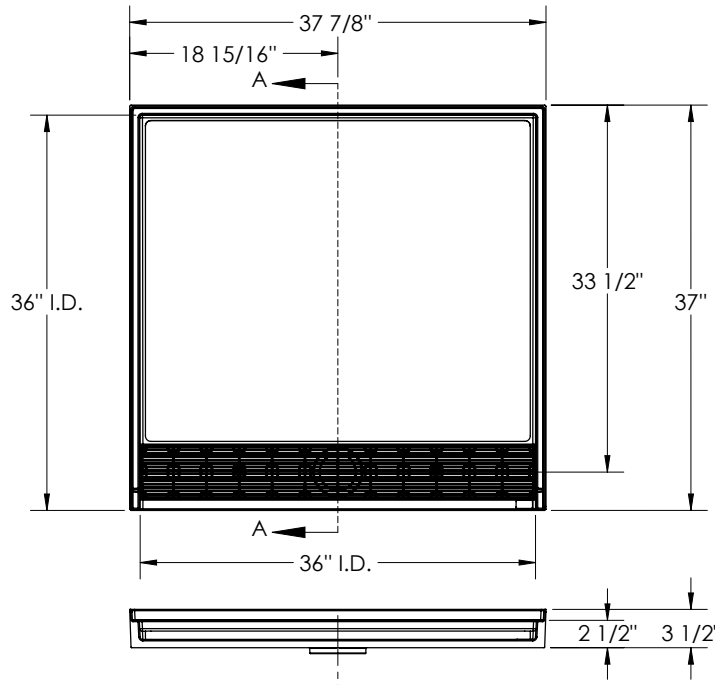
# FTF-3838 38" x 38" Veritek Performix Transfer Trench

**Model number:** FT03838

**Dimensions:** 38" x 37" x 4"

**Installation:**

**Material:** Veritek



**Section A-A**

<b>Dimensions:</b>
38 x 37 x 3 1/2 in.
<b>Weight:</b>
50 lbs
<b>Shape:</b>
Square
<b>Drain location:</b>
Center
<b>Installation:</b>
Alcove

Project:

Contractor:

Representative:

Date:

Tel:

Notes: