

Installation, Operation and Maintenance Manual

OneFlow[®] Anti-Scale System

OneFlow[®] Anti-Scale System Chemical-Free, Salt-Free Scale Prevention

Model OF744-10 Model OF948-16
Model OF844-12 Model OF1054-20

⚠ WARNING



Read this Manual BEFORE using this equipment.
Failure to read and follow all safety and use information can result in death, serious personal injury, property damage, or damage to the equipment.
Keep this Manual for future reference.

Introduction

The Watts OneFlow[®] Anti-Scale System provides protection from scale formation on internal plumbing surfaces. The OneFlow[®] system can be installed at the point of entry to a building to treat both hot and cold water, or it can be located directly before a water heater, boiler, or other water using device that requires protection from hard water.

OneFlow[®] prevents scale by transforming the normal dissolved hardness minerals into undissolved crystal microparticles. These crystals stay suspended in the water and have a greatly reduced ability to react and attach to surfaces like dissolved hardness does. Therefore the problem of internal buildup of scale in pipes, water heaters and on fixtures and glass is greatly reduced.

OneFlow[®] is not a water softener or a chemical additive (like anti-scalants or sequestrants). It is a scale prevention device with proven third party laboratory test data and years of successful residential and commercial installation. OneFlow[®] is the one water treatment device that effectively provides scale protection and is a great salt-free alternative to water softening (ion exchange) or scale sequestering chemicals. Laundry and warewashing chemistry will likewise require adjustments.

OneFlow[®] Benefits

- Chemical-free scale prevention and protection – converts hardness minerals to harmless, inactive microscopic crystals making OneFlow[®] an effective alternative technology to a water softener for the prevention of scale due to water hardness
- Virtually maintenance free - no control valve
- Uses environmentally friendly technology by using no salt or other chemicals to constantly add, no electricity and no wastewater
- Improves efficiency of all water using appliances – both hot** and cold
- Simple sizing & installation – all you need to know is pipe size and the peak flow rate.



- Safe for landscaping and lawn watering. No need for costly bypass plumbing.
- Compatible with all on-site and community wastewater treatment systems.
- Perfect system for towns or communities where water softeners are banned or restricted
- OneFlow[®] does not remove minerals or add sodium to the water supply
- OneFlow can be installed as pre-treatment to commercial reverse osmosis systems (contact your Watts Representative for further details)
- * For high-flow applications, contact your Watts Representative for details on larger, multi-tank systems plumbed in parallel that can meet high flow applications from 100 gpm to and above 1000 gpm
- ** For hot water applications where feed water temperature is 100°F – 140°F (38° – 60°C), please consult ES-OneFlow-HotWater.



Systems are certified through WQA against NSF/ANSI Standards 61 and 372 for Lead Free compliance.

⚠ WARNING

Do not use with water that is microbiologically unsafe or of unknown quality without adequate disinfection before or after the system.

WATTS[®]

Specifications

A OneFlow® scale prevention system shall be installed on the main water service pipe just after it enters the building, but after other whole building water safety devices (backflow preventers or pressure reducing valves), to effectively address water hardness concerns. A system may also be installed further downstream to protect specific equipment or areas within a plumbing system. The system shall be plumbed with a bypass valve to allow isolation of tank(s) and to allow the bypass of untreated water in the event that service or media replacement be necessary. The installation area should be suitable in size for the tank(s) to be serviced without encumbrance and sit upright on a flat level surface.

The system must operate in an upflow manner and does not require additional water to backwash, flush, or regenerate once put into service. The system does not require any chemical additives and does not require electricity for operation.

Standards

Independent scientific testing has confirmed Template Assisted Crystallization (TAC) technology provides scale reduction of over 95+%. Testing was conducted under protocol based on DVGW W512 test to access control of scale formation.

⚠ CAUTION

- Not for use on closed loop systems.
- Do not let the system freeze. Damage to the tank may result.
- System must be operated in a vertical position. Do not lay it down during operation. The system may be placed in any position for shipping and installation but must be operated in the vertical position.
- Place the system on a smooth, level surface. Because the system operates in an upflow, fluidized bed mode, having a level surface is more important than with a softener or media filter.
- A bypass valve should be installed on every system to facilitate installation and service.
- Observe all local plumbing and building codes when installing the system.

⚠ WARNING

Using OneFlow® with other water treatment equipment.

Due to the unique properties of OneFlow®, there are some unique requirements for using OneFlow® in conjunction with filtration or other forms of water treatment.

1. OneFlow® must be the last stage in the treatment chain. Do not install any filters after OneFlow® or before any device for which scale prevention is required. POU filters, e.g. carbon, RO or Ultraviolet (UV) are exempt from this requirement.
2. Do not apply any other antiscalants before or after OneFlow.
3. The addition of soaps, chemicals, or cleaners, before or after OneFlow treatment, may reverse its anti-scale treatment effects and/or create water with a heavy residue or spotting potential. Any adverse conditions caused by the addition of soaps, chemicals, or cleaners are the sole responsibility of the end user.
4. OneFlow is not a water softener and does not soften the water - Water treatment chemistry (e.g. antiscalants, sequestrants, soaps, chemicals or cleaners etc...) will most likely have to be changed to be compatible with OneFlow treated water. Laundry and ware-washing chemistry will likewise require adjustments.

NOTICE

Spotting May Occur on External Plumbing Surfaces

OneFlow media systems perform best in single pass potable water applications with NO additional chemical additives. Depending on hardness, soft scale spotting may occur. Soft scale spots in most cases can be easily wiped down with a damp cloth and will not form hard scale deposits. A Point of Use (POU) Water Softener should be used on mandatory spot-free applications (e.g. glass stemware, dishware).

Feed Water Chemistry Requirements

pH	6.5-8.5
Hardness (maximum)	30 grains (513 ppm CaCO ₃)*
Water Pressure	15 psi to 100psi (1.03 bar to 6.9 bar)
Temperature	40°F to 100°F (5°C to 38°C)
Free Chlorine	<2 ppm
Iron (maximum)	0.3 ppm**
Manganese (maximum)	0.05 ppm**
Copper	1.3 ppm***
Oil & H ₂ S	Must be Removed Prior to OneFlow
Total Phosphates	< 3.0 ppm
Silica (maximum)	20 ppm †
TDS	1500 mg/l ††

NOTICE

Not for use on closed loop systems.

* Systems using OneFlow® technology are effective at controlling lime-scale formation inside the plumbing system at influent hardness levels up to 75 grains per gallon (1282 mg/l) of calcium carbonate. Due to variances in water chemistry, 30 grains per gallon is a recommended hardness maximum due to potential aesthetic issues related to soft scale residue formation outside of the plumbing system. Testing should be performed to determine proper application where hardness levels exceed 30 grains per gallon.

**Just as with conventional water softening media, OneFlow® media needs to be protected from excess levels of certain metals that can easily coat the active surface, reducing its effectiveness over time. Public water supplies rarely, if ever, present a problem, but if the water supply is from a private well, confirm that the levels of iron (Fe) and manganese (Mn) are less than 0.3 mg/L and 0.05 mg/L, respectively.

WARNING

***Pursuant to the EPA drinking water standards, the copper concentration permitted is up to 1.3 ppm. Typically originating from new copper plumbing, high levels of copper can foul OneFlow media. New Copper lines need to be passivated for a minimum of 4 weeks before placing unit into service. For applications with copper concentration greater than 1.3 ppm, please consult Watts Water Quality Technical Service. To further minimize any problem with excess copper, avoid applying excessive flux on the inner surfaces of the pipe and use a low-corrosivity water soluble flux listed under the ASTM B813 standard.

† OneFlow® media does not reduce silica scaling. While silica tends to have a less significant effect on scale formation than other minerals, it can act as a binder that makes water spots and scale residue outside the plumbing system difficult to remove. This 20 ppm limitation is for aesthetic purposes.

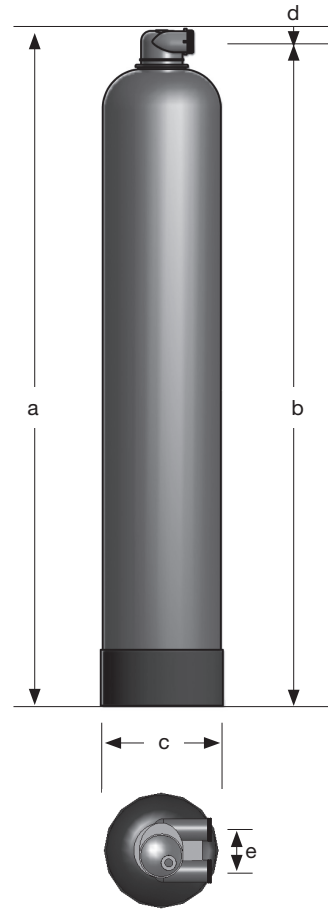
†† All other contaminants must meet the requirements of the USEPA Safe Drinking Water Act. Specific Mineral and Metal MCL's, identified in Watts published Feed Water Chemistry Requirements, supersedes the USEPA SDWA.

NOTICE

Water known to have heavy loads of dirt and debris may require pre-filtration prior to OneFlow®.

Equipment Specifications

OneFlow® systems are complete, self-contained, loaded with media, and ready to use. A simple inlet and outlet connection is all that is required for installation. Please review operating pressures, temperatures and water chemistry limitations to ensure compatibility.



Dimensions (nominal - inches)

a	47	47	49	58
b	46	46	48	57
c	7	8	9	10
d	1.0	1.0	1.0	1.0
e	3.0	3.0	3.0	3.0

Mechanical Specifications

Inlet/Outlet Connection

MODEL	FITTINGS
A	3/4" Sweat
B	1" Sweat
C	1" Plastic MPT
D	1-1/4" Plastic MPT
E	1" Plastic MPT 90 Elbow

MODEL	OF744	OF844	OF948	OF1054
Max Service Flow (gpm)	10	12	16	20
Dry Weight (lbs)	26.60 lbs./ 12.06 kgs.	30.5 lbs./ 13.84 kgs.	36.36 lbs./ 16.49 kgs.	44.20 lbs./ 20.05 kgs.
Service Weight (lbs)	84.60 lbs./ 38.97 kgs.	102.50 lbs./ 46.50 kgs.	136.36 lbs./ 61.85 kgs.	177.20 lbs./ 80.38 kgs.

Exceeding maximum flow rate can reduce and void warranty. Pressure drop at peak flow rate is less than 14 psi. Pressure drop reading taken with inlet and outlet gauges installed at a common elevation and 80 degree feed water.

Replacement Media

Model	Replacement Frequency
OF744RM	Media should be replaced every 3 years
OF844RM	Media should be replaced every 3 years
OF948RM	Media should be replaced every 3 years
OF1054RM	Media should be replaced every 3 years

Installation

Tighten the Tank Head

NOTICE

Check the head on top of the tank. It is common for it to loosen during shipment. Tighten the head by hand until tighten.

NOTICE

Anytime OneFlow® systems are installed above the ground floor of a building it is recommended that a **vacuum relief valve** also be installed to protect against tank collapse in the event the plumbing system is drained. If a vacuum relief valve is not used then the system should be placed in bypass anytime the plumbing system is drained. The EDP code for the suggested vacuum relief valve is 0556031 (not included). The vacuum relief valve should be installed on the outlet of the system.

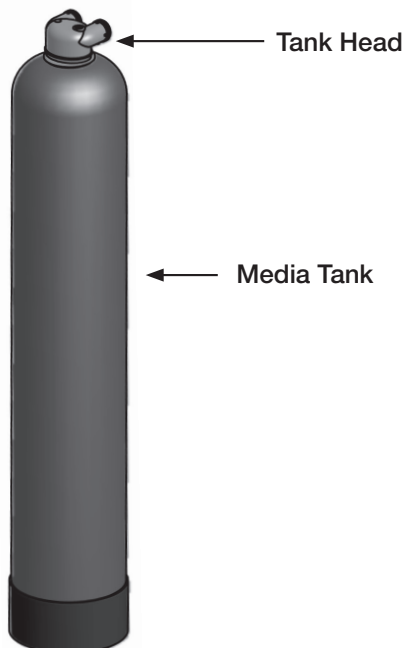
NOTICE

- We recommend the installation of a dual-union ball-valve on the inlet and outlet to isolate and outlet to isolate the tank for servicing or install option bypass valve that is sold separately.
- A full bypass should be installed so that the full service flow can be routed around the system as needed for servicing.

Install Piping

Connect the inlet and outlet plumbing according to your preferences and any applicable local codes. Include sample/drain ports with hose-bibb connections on the inlet and outlet piping to facilitate startup and service.

System Overview



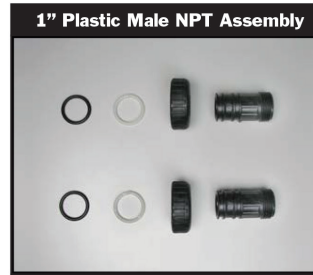
Typical Connection Fittings



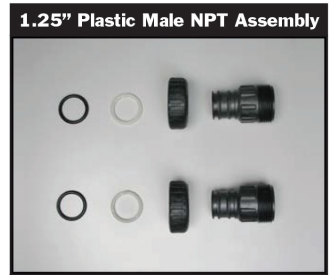
"A" Models CK3007-03
(EDP# 0002171)



"B" Models CK3007-02
(EDP# 0002170)



"C" Models CK3007-04
(EDP# 0002172)



"D" Models CK3007-05
(EDP# 0002173)



"E" Models CK3007
(EDP# 0002169)

Optional Bypass Valve Sold Separately

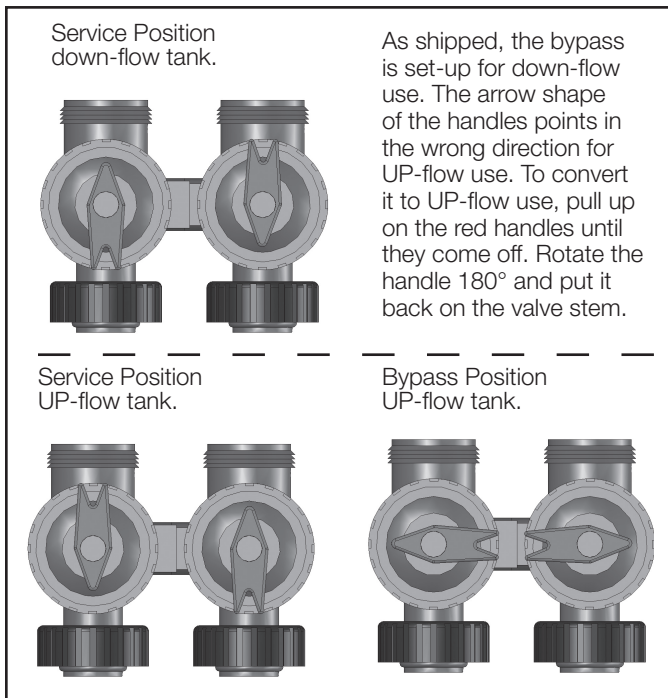


CK-V3006 (EDP# 0002167)

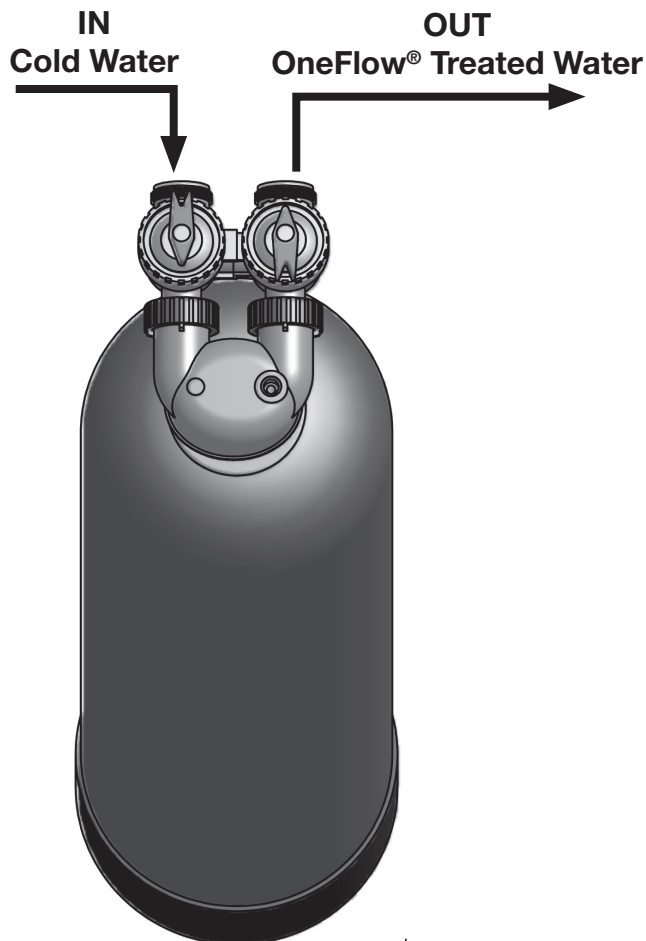


CK-V3191-01 (EDP# 0002168)

Bypass Valve Modification



Installation and Start-up



Model OF844-12 shown with optional bypass assembly.

1. Turn off the main water supply to the OneFlow System and open an inside faucet to relieve any pressure within the plumbing system. Close the inside faucet once pressure is released.
 2. Place the system in the desired location. Make sure that the location is level and sturdy enough to support the weight of the wetted system.
 3. Connect the cold water supply to the inlet of the OneFlow® system.
- NOTE:** The OneFlow® system operates in the UP-FLOW mode which is opposite of a conventional softener.
4. Place a bucket under the outlet port or run a line from the outlet port to a drain.
 5. Turn the water back on to the OneFlow system. Slowly open the supply valve (user supplied) to the OneFlow® system. Allow the tank to fill with water. Close the supply valve when a steady stream of water comes out of the outlet port. If the outlet is flowing into a bucket, water could splash on nearby objects. If this threatens the safety, value, structure, or appearance of these objects, protect/remove them or use the outlet hose to drain option.
 6. Connect the outlet of the OneFlow® system to the cold water supply to the building.
 7. Open the supply valve to the OneFlow® system.
 8. Open hot and cold faucets downstream from the OneFlow® system to relieve any air from the plumbing system. Then close the faucets.
 9. Check for leaks. Repair as needed.

NOTICE

Fill in install date and rebed due date on product label located on front of each tank as reminder to replace OneFlow media every 3 years.

The system is now ready for service.

Replacing the Media

NOTICE

Your OneFlow® media should be replaced every (3) years.

1. Shut off the primary feed supply going to the OneFlow® tank.
2. Open up a downstream spigot or faucet to release pressure in the tank and in the distribution lines before and after the system.
3. Shut the isolation valves immediately before and after the tank.
4. If you have installed optional By-Pass Valve model # CK-V3006 (EDP #0002167), place into By-Pass position.
5. Disconnect the unions on the inlet and outlet fittings of the tank, and then disconnect from head.
6. Using a strap wrench, remove the threaded head assembly connection (turning counter-clockwise) and remove the complete upper assembly including white-colored PVC upper basket. Rinse these parts in a nearby sink or bucket of water. Do not drain the tank.
7. Remove the distributor tube with the bottom strainer. Rinse these parts in a nearby sink or bucket of water.
8. Get a 6ft length of 3/4" sch. 40 PCV and a length of 1" polyvinyl hose. The length of hose depends on the distance to the nearest floor drain. (Both of these can be acquired at Home Depot or Lowes.)
9. Insert one end of the pipe inside the hose and put the other end of the pipe into the top of the tank and down into the media. Put the other end of the hose inside a rice bag and put the rice bag on the floor drain.
10. Get a garden hose and put it on the open end of the poly hose to fill the hose and pipe with water. Air will bubble out of the tank. Once all the air is out of the hose and pipe, you can start a siphon to remove the media. Put the garden hose in the top of the tank and turn it on to keep the tank full of water. Push the pipe up and down in the media to get it all out. The rice bag will catch the media and allow the water to go down the drain.
11. Try not to be too aggressive when extracting the media. You need to take it out in small bites. If you let the whole pipe/hose fill with media it will plug up. You need to let slugs of water flush out the pipe as you go.
12. When all the old media is removed turn off the garden hose and continue to siphon until the tank is about half full with water.
13. Reinstall the distributor tube with bottom strainer that was removed in step #7. Center the distributor tube in the bottom of the tank. Make sure the distributor tube is flush with the top of the tank. **Keeping any and all media from entering the distributor tube**, cap the top open end of the distributor tube with plastic sheeting and tape. Test it to make sure it will not come off during the media loading process. Carefully pour-in a new bag of media that specifically meets the replacement requirement of the tank. For example, an OF1054-20 system requires (x1) OF1054RM Replacement Media.
14. Inspect the threaded connection on the top of the tank to ensure no loose beads of media are stuck to the internal threads. If visible, wipe away the beads with a damp cloth.
15. Re-attach the head assembly onto the distributor tube and thread the head assembly back onto the tank. Hand-tighten head until the connection is tighten.

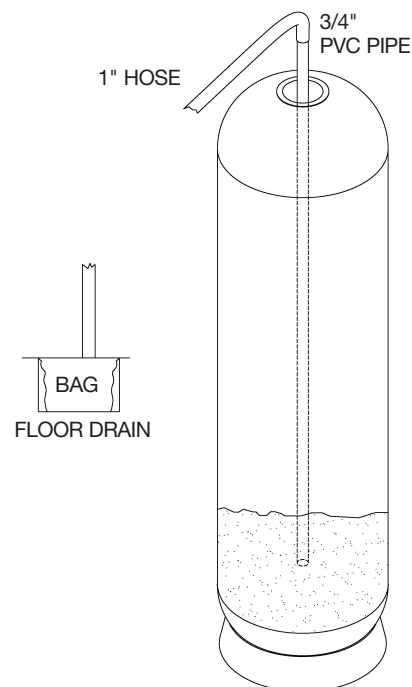
16. Reconnect inlet and outlet union connections.
17. If you have installed optional By-Pass CK-V3006 (EDP #0002167), place into Service position.
18. Open the feed water inlet (slowly) to fill the tank.
19. Purge the air at a downstream faucet close to the system.
20. Once the tank is full, wait 4 hours for media to "hydrate".
21. Put the tank in service.

Alternative Method for Replacing Media

Follow steps 1 – 6 then,

- Remove center distributor tube and lower basket and siphon all water from tank
- Lay tank down on its side and tip upside down while using hose to flush media out
- When all the old media is removed, stand tank back up and install in original position. Fill the tank so that it is about half full with water.

Then continue with steps 12 – 19.



Limited Warranty

- The OneFlow® tank system is warranted to be free of defects in materials and workmanship for 5 years from the date of original shipment.
- The OneFlow® media is warranted for performance for a period of 2 years from the date of the original installation when installed and operated in accordance with the instructions in the corresponding Installation and Operation Manual.

Watts Regulator Company warrants its OneFlow® cartridge systems as follows:

- The OneFlow® cartridge system is warranted to be free of defects in materials and workmanship for 1 year from the date of original shipment.
- OneFlow® cartridges are warranted for performance for a period of one year from the date of original installation when installed and operated in accordance with the instructions in the corresponding Installation and Operation Manual.
- Carbon replacement filter cartridges are not warranted to perform for any period of time because the service life of replacement carbon filter cartridges varies significantly with local water conditions and volume.

Conditions

1. The OneFlow® system must be installed in applications with municipally supplied water adhering to EPA guidelines.
2. Any component failure must not result from abuse, fire, freezing or other acts of nature, violence, or improper installation.
3. Equipment must be installed and operated in compliance with the local plumbing codes and on an approved water supply.
4. Equipment is limited to use at water pressures and temperatures that do not exceed our published specifications.
5. Water supply must not exceed 2.0 PPM chlorine. For water supply exceeding 2.0 PPM chlorine, pretreatment is required. (Please contact your water treatment specialist.)
6. Information, including model number, serial number, and date of installation, must be provided for any claims pertaining to equipment in warranty.
7. Defective parts are subject to inspection by either Watts Regulator Company or any authorized representative before final commitment of warranty adjustment is made.
8. Watts Regulator Company reserves the right to make changes or substitutions in parts or equipment with material of equal quality or value and of then current production.

Limitations

Our obligation under this warranty with respect to the tank or valve is limited to furnishing a replacement for, or at our option, repairing any part or parts to our satisfaction that prove defective within the warranty period stated above. Such replacement parts will be delivered to the owner F.O.B. nearest factory, at no cost, excluding freight and local labor charges, if any.

Our obligation under this warranty with respect to the OneFlow® media will be limited to furnishing a replacement for the media within two years from date of original installation. Such replacement media will be delivered to the owner F.O.B. nearest factory, at no cost, excluding freight and local labor charges, if any. Damage to the media due to chlorine, other oxidizers or fouling caused by local water conditions or any other operation outside of the limits shown under Specifications, is not covered by this warranty.

THE WARRANTY SET FORTH HEREIN IS GIVEN EXPRESSLY AND IS THE ONLY WARRANTY GIVEN BY WATTS REGULATOR COMPANY WITH RESPECT TO THE PRODUCT. WATTS REGULATOR COMPANY MAKES NO OTHER WARRANTIES, EXPRESS OR IMPLIED. WATTS REGULATOR COMPANY HEREBY SPECIFICALLY DISCLAIMS ALL OTHER WARRANTIES, EXPRESS OR IMPLIED, INCLUDING BUT NOT LIMITED TO THE IMPLIED WARRANTIES OF MERCHANTABILITY AND FITNESS FOR A PARTICULAR PURPOSE.

The remedy described under this warranty shall constitute the sole and exclusive remedy for breach of warranty, and Watts Regulator Company shall not be responsible for any incidental, special or consequential damages, including without limitation, freight, handling, lost profits or the cost of repairing or replacing other property which is damaged if this product does not work properly, other costs resulting from labor charges, delays, vandalism, negligence, fouling caused by foreign material, damage from adverse water conditions, chemical, or any other circumstances over which Watts Regulator Company has no control. This warranty shall be invalidated by any abuse, misuse, misapplication or improper installation of the product.

Some states do not allow limitations on how long an implied warranty lasts, and some states do not allow the exclusion or limitation of incidental or consequential damages. Therefore the above limitations may not apply to you. This warranty gives you specific legal rights, and you may have other rights that vary from state to state. You should consult applicable state laws to determine your rights. SO FAR AS IS CONSISTENT WITH APPLICABLE STATE LAW, ANY IMPLIED WARRANTIES THAT MAY NOT BE DISCLAIMED, INCLUDING THE IMPLIED WARRANTIES OF MERCHANTABILITY AND FITNESS FOR A PARTICULAR PURPOSE, ARE LIMITED IN DURATION TO THE APPLICABLE WARRANTY PERIODS STATED ABOVE.



Manual de instalación, funcionamiento y mantenimiento

OneFlow[®] Anti-Scale System

Sistema antisarro de OneFlow[®]

Prevención de sarro libre de químicos y sal

Modelo OF744-10 Modelo OF948-16

Modelo OF844-12 Modelo OF1054-20

⚠ ADVERTENCIA



Lea este manual ANTES de utilizar el equipo.

Si no se lee ni se respeta toda la información sobre seguridad y uso, pueden ocasionarse muertes, lesiones personales graves, daños materiales o daños al equipo.

Conserve este manual para consultarlo en el futuro.

Introducción

El sistema antisarro OneFlow[®] de Watts ofrece protección para evitar la formación de sarro en las superficies internas de las cañerías. El sistema OneFlow[®] puede instalarse en el punto de entrada a un edificio para tratar tanto el agua caliente como fría, o puede colocarse directamente antes de un calentador de agua, una caldera u otro dispositivo que utiliza agua que requiere protección del agua dura.

OneFlow[®] evita que se forme el sarro al transformar los minerales duros comunes disueltos en micropartículas de cristal disueltas. Estos cristales permanecen suspendidos en el agua y tienen la capacidad de reducirse considerablemente para reaccionar y adherirse a las superficies de la misma forma que lo hace la dureza disuelta. Además, el problema de la acumulación interna del sarro en las tuberías, los calentadores de agua, los accesorios y el vidrio se reduce de manera significativa.

OneFlow[®] no es un ablandador de agua o un aditivo químico (como los antiincrustantes o secuestrantes). Es un dispositivo de prevención de sarro con datos de laboratorios externos comprobados y años de uso exitoso en instalaciones comerciales y residenciales. OneFlow[®] es un dispositivo de tratamiento de agua que brinda en forma eficaz protección a escala y es una gran alternativa sin sal para el ablandamiento del agua (intercambio de iones) o químicos secuestrantes a escala. Asimismo, los químicos para el lavado de ropa y vajilla requerirán ajustes.

Beneficios de OneFlow[®]

- Prevención y protección contra el sarro libre de químicos: convierte los minerales duros en cristales microscópicos inactivos e inocuos, lo que hace del sistema OneFlow[®] una tecnología alternativa efectiva a los ablandadores de agua para la prevención del sarro debido a la dureza del agua.
- Prácticamente libre de mantenimiento: sin válvula de control.
- Tecnología ecológica sin sal ni otros productos químicos que deben agregarse constantemente, sin electricidad y sin aguas residuales.
- Mejora la eficacia de todos los aparatos que utilizan agua tanto caliente** como fría.
- Fácil instalación y medición de tamaño: todo lo que necesita saber es el tamaño de la cañería y el caudal máximo.



- Seguro para paisajismo y riego de plantas y césped. Sin necesidad de costosas tuberías de derivación.
- Compatible con todos los sistemas de tratamiento de aguas residuales de las instalaciones y de la comunidad.
- Sistema perfecto para ciudades o comunidades donde los ablandadores de agua están restringidos o prohibidos.
- OneFlow[®] no elimina los minerales ni agrega sodio al suministro de agua.
- OneFlow puede instalarse como un pretratamiento para sistemas de ósmosis inversa comercial (comuníquese con su representante de Watts para obtener más información).
- * Para las aplicaciones de alto flujo, comuníquese con su representante de Watts para obtener más información sobre sistemas multitanques más grandes conectados en paralelo que pueden alcanzar caudales de 100 gpm a 1000 gpm o más.
- ** Para las aplicaciones de agua caliente donde la temperatura del agua de alimentación alcanza entre 100 °F a 140 °F (38 °C a 60 °C), consulte ES-OneFlow-HotWater.



Los sistemas están certificados por WQA (Water Quality Association) según las Normas 61 y 372 de NSF/ANSI (American National Standards Institute) para el cumplimiento sin plomo.

⚠ ADVERTENCIA

No debe usarse con agua que presente un riesgo microbiológico o cuya calidad sea desconocida sin una desinfección adecuada antes o después del sistema.

WATTS[®]

Especificaciones

Un sistema de prevención de sarro OneFlow® debe instalarse en la cañería de servicio de agua principal apenas ingresa al edificio, pero después de los dispositivos de seguridad de agua de todo el edificio (dispositivos para evitar el retroflujo o válvulas que reducen la presión), para abordar las inquietudes de la dureza del agua de forma efectiva. Un sistema también puede instalarse corriente abajo para proteger las áreas o los equipos específicos dentro de un sistema de cañerías. El sistema debe conectarse con una válvula de derivación que permite el aislamiento del/de los tanque(s) y para permitir la derivación del agua no tratada en el caso de que sea necesario el servicio o el reemplazo del regenerador. El área de instalación debe ser adecuada en cuanto al tamaño para que pueda realizarse el mantenimiento del/de los tanque(s) sin impedimentos y puedan colocarse en posición vertical en una superficie plana.

El sistema debe funcionar con un flujo ascendente y no requiere agua adicional para retrolavar, descargar o regenerar una vez que está en funcionamiento. El sistema no requiere de ningún aditivo químico ni de electricidad para funcionar.

Normativas

Una prueba científica realizada por una agencia independiente ha confirmado que la tecnología de TAC (cristalización asistida por plantilla) ofrece una reducción de sarro superior al 95+%. La prueba se llevó a cabo en conformidad con la prueba DVGW W512 para acceder al control de la formación de sarro.

⚠ PRECAUCIÓN

- No debe utilizarse en sistemas de lazo cerrado.
- No permita que el sistema se congele. Puede producirse daño en el tanque.
- El sistema debe operarse en una posición vertical. No lo deje tendido durante el funcionamiento. El sistema puede colocarse en cualquier posición durante el envío e instalación, pero debe operarse en posición vertical.
- Coloque el sistema en una superficie lisa y nivelada. Debido a que el sistema opera en modo de corriente hacia arriba y de lecho fluidizado, una superficie nivelada es más importante aquí que en un filtro de sustancias o ablandador.
- Se debe instalar una válvula de derivación en cada sistema para facilitar la instalación y el mantenimiento.
- Cumpla con todos los códigos locales de edificación y plomería al instalar el sistema.

⚠ ADVERTENCIA

Uso de OneFlow® con otros equipos de tratamiento de agua.

Debido a las exclusivas propiedades de OneFlow®, debe cumplirse con algunos requisitos específicos para el uso de OneFlow® junto con la filtración u otras formas de tratamiento de agua.

1. El sistema OneFlow® debe ser la última etapa de la cadena de tratamiento. No instale filtros después del sistema OneFlow® o antes de algún dispositivo para el que se requiera la prevención de sarro. Los filtros POU (punto de uso), p. ej., carbón, RO (ósmosis inversa) o UV (ultravioleta), están exentos de este requisito.
2. No aplique otros productos antisarro antes o después de OneFlow®.
3. Si se agrega jabón, químicos o limpiadores antes o después de realizar el tratamiento con OneFlow, se pueden revertir sus efectos antisarro y/o crear agua con residuos pesados o con posibilidades de manchas. Las condiciones adversas causadas por la adición de jabón, químicos o limpiadores son responsabilidad del usuario final.
4. OneFlow no es un ablandador de agua y no ablanda el agua: lo más probable es que los químicos del tratamiento de agua (p. ej., antiincrustantes, secuestrantes, jabones, químicos o limpiadores, etc.) deban cambiarse para que sean compatibles con el agua tratada con OneFlow. Asimismo, los químicos para el lavado de ropa y vajilla deberán ajustarse.

AVISO

Pueden detectarse manchas en las superficies de las cañerías externas

Los sistemas con regenerador OneFlow tienen un mejor rendimiento con aplicaciones de agua potable de paso único SIN aditivos químicos adicionales. Dependiendo de la dureza, pueden generarse manchas de sarro. En la mayoría de los casos, las manchas de sarro suaves pueden limpiarse fácilmente con un paño húmedo para evitar la formación de depósitos de sarro duro. Un ablandador de agua de punto de uso (POU) debe utilizarse en las aplicaciones libre de manchas obligatorias (p. ej., copas, vajilla).

Requisitos químicos del agua de alimentación

pH	6.5-8.5
Dureza (máxima)	30 granos (513 ppm CaCO ₃)*
Presión del agua	15 psi a 100 psi (1.03 bar a 6.9 bar)
Temperatura	De 40 °F a 100 °F (5 °C a 38 °C)
Cloro libre	<2 ppm
Hierro (máximo)	0.3 ppm**
Manganeso (máximo)	0.05 ppm**
Cobre	1.3 ppm***
Aceite y H ₂ S	Deberán eliminarse antes de OneFlow
Fosfatos totales	<3.0 ppm
Sílice (máximo)	20 ppm †
TDS (sólidos disueltos totales)	1500 mg/l ††

AVISO

No se use en sistemas de circuito cerrado.

* Los sistemas que utilizan la tecnología OneFlow® son efectivos para controlar la formación de sarro-cal dentro del sistema de plomería a niveles de dureza de entrada de hasta 75 granos por galón (1282 mg/l) de carbonato cálcico. Debido a las variaciones en la química del agua, 30 granos por galón es el máximo de dureza recomendado debido a posibles problemas estéticos relacionados con la formación de residuos de sarro fuera del sistema de plomería. Las pruebas deben realizarse para determinar la aplicación adecuada en la que los niveles de dureza exceden los 30 granos por galón.

**Al igual que con los medios suavizadores de agua convencionales, los medios de OneFlow® necesitan estar protegidos de los niveles excesivos de ciertos metales que pueden cubrir fácilmente la superficie activa y reducir su efectividad con el tiempo. El suministro público de agua potable raras veces, si acaso, presenta problemas, pero si el suministro de agua proviene de un pozo privado, confirme que los niveles de hierro (Fe) y manganeso (Mn) sean menores de 0.3 mg/l y 0.05 mg/l, respectivamente.

ADVERTENCIA

***De conformidad con las normas de agua potable de la EPA (Agencia de Protección Ambiental), la concentración permitida de cobre es de 1.3 ppm. Típicamente procedentes de nuevas tuberías de cobre, altos niveles de cobre pueden contaminar los medios OneFlow. Las líneas de cobre nuevas deben estar pasivadas durante un mínimo de 4 semanas antes de poner la unidad en servicio. Para aplicaciones con una concentración de cobre mayor a 1.3 ppm, comuníquese al Servicio Técnico de Calidad de Agua de Watts. Para minimizar aún más cualquier problema relacionado con exceso de cobre, evite aplicar exceso de fundente en las superficies internas de la tubería y use un fundente de baja corrosividad soluble en agua indicado en la norma ASTM B813.

† Los medios de OneFlow® no reducen el sarro de sílice. Aunque la sílice tiende a tener un efecto menos significativo en la formación de sarro que otros minerales, puede actuar como aglutinante y hacer que las manchas de agua y los residuos de sarro sean difíciles de quitar del sistema de plomería. El límite de 20 ppm es para fines estéticos.

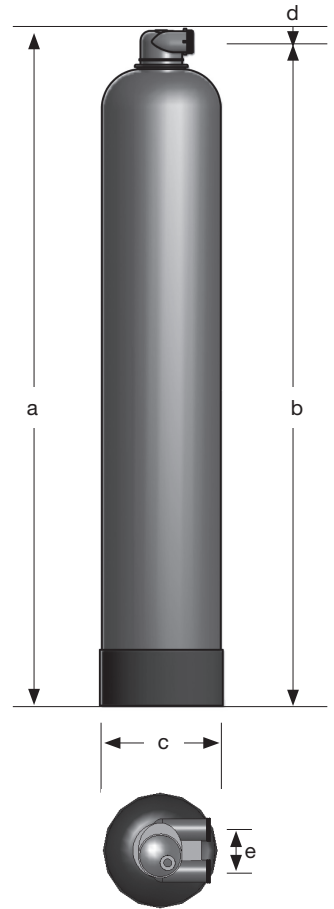
†† Todos los demás contaminantes deben cumplir los requisitos de la Ley de Agua Potable Segura de la USEPA (Agencia de Protección Ambiental de EE. UU.). Los MCL (niveles máximos de contaminantes) de minerales y de metal específicos, identificados en los requisitos químicos de agua de alimentación publicados de Watts, reemplazan la SDWA (Ley del Agua Potable Segura) de la USEPA.

AVISO

Cuando se sepa que el agua tiene fuertes cantidades de suciedad y residuos, es posible que se requiera filtrarla antes de tratarla con OneFlow®.

Especificaciones del equipo

Los sistemas OneFlow® son completos, autónomos, están cargados con el regenerador y están listos para usar. Una simple conexión de entrada y de salida es todo lo que se necesita para la instalación. Revise las presiones operativas, limitaciones de la composición química del agua y temperaturas para garantizar la compatibilidad.



Dimensiones (nominal - pulgadas)

a	47	47	49	58
b	46	46	48	57
c	7	8	9	10
d	1,0	1,0	1,0	1,0
e	3,0	3,0	3,0	3,0

Especificaciones mecánicas

Conexiones de entrada y salida

MODELO	ACCESORIOS
A	Filtro de 3/4" (2 cm)
B	Filtro de 1" (2,5 cm)
C	Rosca macho plástica de 1" (2,5 cm)
D	Rosca macho plástica de 1"-1/4" (2,5 cm-0,60 cm)
E	Codo de 90 para rosca macho plástica de 1" (2,5 cm)

MODELO	OF744	OF844	OF948	OF1054
Flujo de servicio máximo (gpm)	10	12	16	20
Peso en seco (lb)	26.60 lb/ 12.06 kg	30.5 lb/ 13.84 kg	36.36 lb/ 16.49 kg	44.20 lb/ 20.05 kg
Peso del servicio (lb)	84.60 lb/ 38.97 kg	102.50 lb/ 46.50 kg	136.36 lb/ 61.85 kg	177.20 lb/ 80.38 kg

Superar el caudal máximo puede reducir y anular la garantía. La caída de presión al flujo máximo es inferior a 14 psi. Lectura de caída de presión tomada con medidores de entrada y salida instalados con una elevación común y agua de alimentación de 80 grados.

Regenerador de reemplazo

Modelo	Frecuencia de reemplazo
OF744RM	El regenerador debe reemplazarse cada 3 años
OF844RM	El regenerador debe reemplazarse cada 3 años
OF948RM	El regenerador debe reemplazarse cada 3 años
OF1054RM	El regenerador debe reemplazarse cada 3 años

Instalación

Ajuste el cabezal del tanque

AVISO

Revise el cabezal en la parte superior del tanque. Es común que se afloje durante el envío. Gire el cabezal del tanque hasta que quede ajustado.

AVISO

Siempre que se instalan sistemas OneFlow® por encima del piso de un edificio se recomienda que también se instale una **válvula de alivio de vacío** para proteger contra el colapso del tanque en caso de que se drene el sistema de cañerías. Si no se usa una válvula de alivio de vacío, entonces el sistema se debe poner en derivación del paso siempre que se drene el sistema de cañerías. El código EDP para la válvula de alivio de vacío sugerido es 0556031 (no incluida). La válvula de alivio de vacío se debe instalar a la salida del sistema.

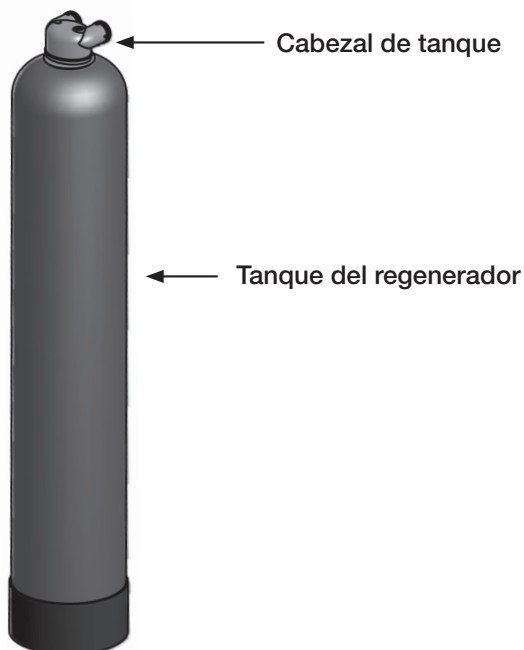
AVISO

- Recomendamos instalar una válvula esférica de unión doble en la entrada y la salida a fin de aislar el tanque para el mantenimiento o instalar una válvula de derivación opcional que se vende por separado.
- Deberá montarse una derivación total para que el caudal de servicio total pueda dirigirse en el sistema del modo en que sea necesario para el mantenimiento.

Instalación de cañerías

Conecte las tuberías de entrada y salida según sus preferencias y cualquier reglamento local aplicable. Incluya puertos de muestreo/drenaje con conexiones de grifo de manguera en las tuberías de entrada y salida para facilitar el arranque y el servicio.

Descripción general del sistema



Acoplamientos de conexión típicos



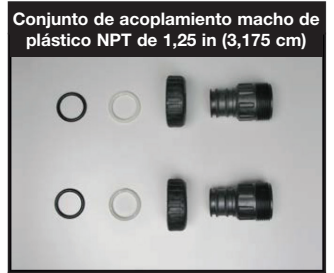
Modelos "A" CK3007-03
(N.º EDP 0002171)



Modelos "B" CK3007-02
(N.º EDP 0002170)



Modelos "C" CK3007-04
(N.º EDP 0002172)



Modelos "D" CK3007-05
(N.º EDP 0002173)



Modelos "E" CK3007
(N.º EDP 0002169)

Válvula de derivación opcional que se vende por separado

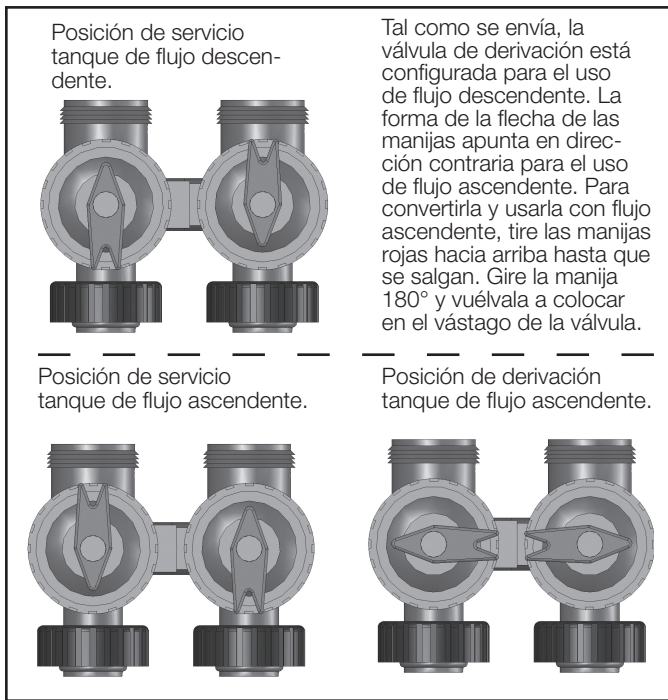


CK-V3006 (N.º EDP 0002167)

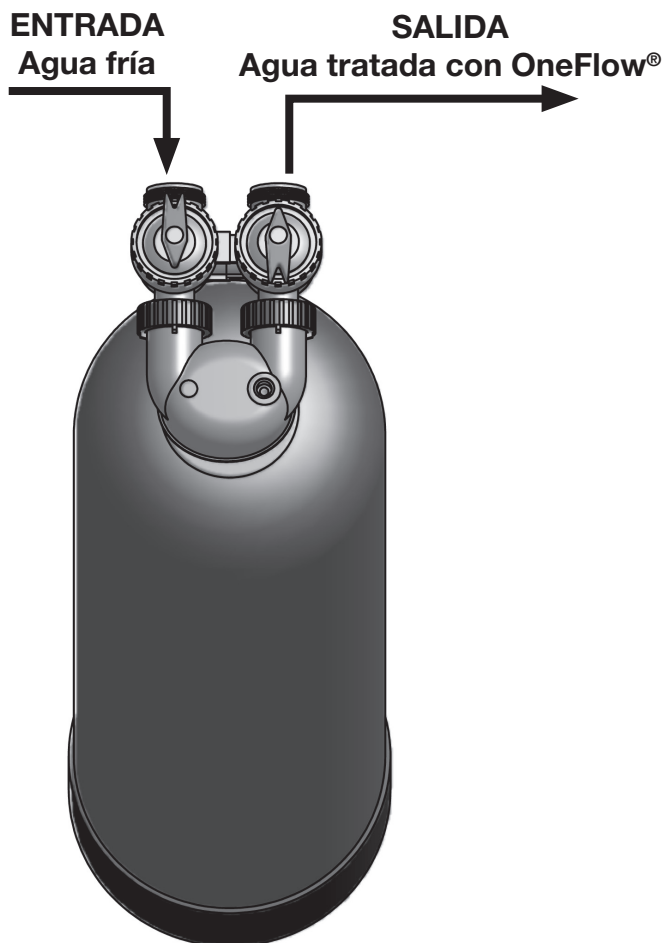


CK-V3191-01 (N.º EDP 0002168)

Modificación de la válvula de derivación



Instalación y puesta en marcha



El modelo OF844-12 se muestra con el ensamblaje de derivación opcional.

1. Cierre el suministro principal de agua del sistema OneFlow y abra un grifo interno para aliviar toda presión dentro del sistema de cañerías. Cierre el grifo interno una vez que se libere la presión.
2. Coloque el sistema en la ubicación deseada. Verifique que dicha ubicación esté nivelada y sea lo suficientemente resistente para soportar el peso del sistema en uso.
3. Conecte el suministro de agua fría a la entrada del sistema OneFlow®.

NOTA: El sistema OneFlow® funciona en el modo de caudal ASCENDENTE a diferencia de un ablandador convencional.

4. Coloque una cubeta bajo el puerto de salida o arme una línea desde el puerto de salida hasta un drenaje.
5. Abra el paso nuevamente en el sistema OneFlow. Abra lentamente la válvula de suministro (provista por el usuario) en el sistema OneFlow®. Permita que el tanque se llene de agua. Cierre la válvula de suministro cuando vea que sale un flujo estable de agua por el puerto de salida. Si el agua cae en una cubeta, el agua podría salpicar a objetos cercanos. Si esto representa una amenaza para la seguridad, valor, estructura o apariencia de estos objetos, protéjalos o retírelos, o conecte la manguera a la salida como única opción de drenaje.
6. Conecte la salida del sistema OneFlow® al suministro de agua fría del edificio.
7. Abra la válvula de suministro del sistema OneFlow®.
8. Abra los grifos de agua caliente y fría corriente abajo del sistema OneFlow® para purgar toda acumulación de aire del sistema de cañerías. Luego cierre los grifos.
9. Compruebe que no haya fugas. Repárelas de ser necesario.

AVISO

Complete la fecha de instalación y fecha de vencimiento en la etiqueta del producto al frente de cada tanque como recordatorio para reemplazar el regenerador de OneFlow cada 3 años.

El sistema ahora está listo para el servicio.

Reemplazo del regenerador

AVISO

El regenerador de OneFlow® debe reemplazarse cada (3) años.

1. Cierre el suministro de alimentación principal que va al tanque de OneFlow®.
2. Abra una llave o un grifo corriente abajo para liberar la presión en el tanque y en las líneas de distribución antes y después del sistema.
3. Cierre las válvulas de aislamiento inmediatamente antes y después del tanque.
4. Si usted instaló una válvula de derivación opcional, n.º de modelo CK-V3006 (N.º EDP 0002167), colóquela en la posición de derivación.
5. Desconecte las uniones de los conectores en la entrada y salida del tanque, y luego desconecte del cabezal.
6. Con una llave de correa, desenrosque la conexión del ensamblaje del cabezal roscado (girando en sentido contrario a las agujas del reloj) y retire el ensamblaje superior completo incluida la cesta superior de PVC color blanca. Enjuague estas piezas en un lavabo cercano o balde de agua. No drene el tanque.
7. Retire el tubo distribuidor con el filtro del fondo. Enjuague estas piezas en un lavabo cercano o balde de agua.
8. Utilice un tubo PVC sch 40 de 3/4" (2 cm) de 6 pies (1,8 m) de longitud y una manguera de polivinilo de 1" (2,5 cm) de longitud. La longitud de la manguera depende de la distancia al drenaje de suelo más cercano. (Ambos elementos pueden adquirirse en Home Depot o Lowes).
9. Coloque un extremo de la cañería dentro de la manguera y coloque el otro extremo de la cañería en la parte superior del tanque y hacia abajo en el regenerador. Coloque el otro extremo de la manguera dentro de una bolsa de arroz y coloque la bolsa de arroz sobre el drenaje del suelo.
10. Busque una manguera de jardín y colóquela en el extremo abierto de la manguera de polivinilo para llenar la manguera y la cañería con agua. Saldrán burbujas de aire del tanque. Una vez que todo el aire esté afuera de la manguera y la cañería, puede utilizar un sifón para retirar el regenerador. Coloque la manguera de jardín en la parte superior del tanque y ábrala para mantener el tanque lleno de agua. Empuje la cañería hacia arriba y hacia abajo para sacar todo el regenerador. La bolsa de arroz contendrá el regenerador y permitirá que el agua descienda por el drenaje.
11. Trate de no ser tan agresivo cuando extraiga el regenerador. Debe sacarlo de a poco. Si permite que toda la manguera/cañería se llene de regenerador, se producirá una obstrucción. Debe dejar que corra agua de la cañería a medida que avanza.
12. Cuando se elimina todo el regenerador, apague la manguera de jardín y continúe vaciando el tanque hasta que tenga aproximadamente la mitad de agua.
13. Vuelva a instalar el tubo distribuidor con el filtro del fondo que retiró en el paso n.º 7. Centre el tubo distribuidor en la parte inferior del tanque. Asegúrese de que el tubo distribuidor se purgue con la parte superior del tanque. Tape el extremo abierto superior del tubo distribuidor con cinta y revestimientos de plástico para evitar que el regenerador ingrese al tubo distribuidor. Pruébelo para asegurarse de que no se salga durante el proceso de carga del regenerador. Vierta cuidadosamente una bolsa de regenerador nueva que cumpla específicamente con el requisito de reemplazo del tanque. Por ejemplo, un sistema OF1054-20 requiere regenerador de repuesto (x1) OF1054RM.
14. Revise la conexión roscada en la parte superior del tanque para asegurarse de que no haya rebordes de regenerador sueltos pegados en las roscas internas. Si los visualiza, límpielos con un trapo húmedo.

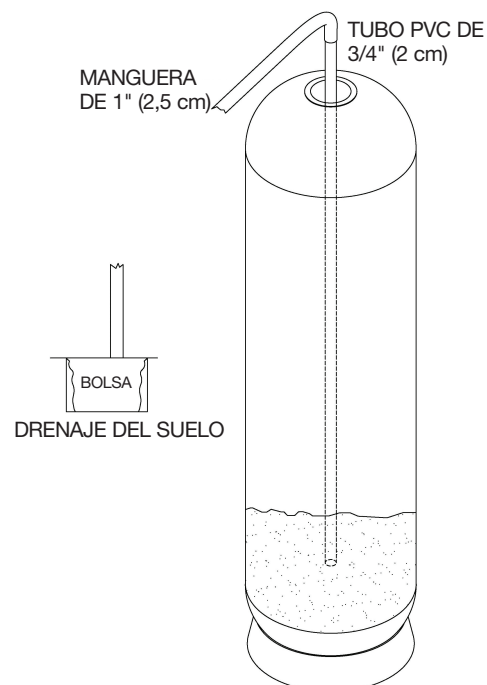
15. Vuelva a conectar el ensamblaje del cabezal al tubo distribuidor y enrosque el ensamblaje del cabezal de nuevo en el tanque. Ajuste el cabezal a mano hasta que la conexión esté ajustada.
16. Vuelva a conectar las conexiones de las uniones de entrada y salida.
17. Si usted instaló una válvula de derivación opcional CK-V3006 (N.º EDP 0002167), colóquela en la posición de servicio.
18. Abra la entrada de alimentación de agua (lentamente) para llenar el tanque.
19. Purgue el aire en un grifo corriente hacia abajo cerca del sistema.
20. Una vez que el tanque está lleno, espere 4 horas para que el regenerador se "hidrate".
21. Coloque el tanque en servicio.

Método alternativo para el regenerador de reemplazo

Siga los pasos de 1 a 6, luego,

- Retire el tubo distribuidor del centro y baje la cesta y vacíe toda el agua del tanque.
- Recueste el tanque de costado e inclínelo de manera invertida mientras utiliza la manguera para eliminar el regenerador
- Cuando se elimina todo el regenerador, vuelva a parar el tanque e instálelo en la posición original. Llene el tanque aproximadamente con la mitad de agua.

Luego, continúe con los pasos de 12 a 19.



Garantía limitada

- Se garantiza que el sistema de tanques OneFlow® no contendrá defectos en sus materiales y mano de obra por 5 años desde la fecha original de envío.
- Se garantiza el funcionamiento del regenerador OneFlow® por un período de 2 años desde la fecha original de instalación, si la instalación y el funcionamiento cumplen con las instrucciones presentes en el manual de Instalación y funcionamiento.

Watts Regulator Company garantiza el sistema de cartuchos OneFlow® de la siguiente manera:

- Se garantiza que el sistema de cartuchos OneFlow® no contendrá defectos en sus materiales y mano de obra por 1 año desde la fecha original de envío.
- Se garantiza el funcionamiento de los cartuchos OneFlow® por un período de un año desde la fecha original de instalación, si la instalación y funcionamiento cumplen con las instrucciones presentes en el manual de Instalación y funcionamiento.
- No se garantiza el funcionamiento de los filtros de repuesto de carbono durante ningún período de tiempo debido a que la vida útil de los cartuchos de filtro de repuesto de carbono varía significativamente según las condiciones climáticas locales y su volumen.

Condiciones

1. El sistema OneFlow® debe instalarse en aplicaciones con agua del suministro municipal que cumplan las pautas de la EPA.
2. Las fallas en los componentes no deben ser consecuencia de abuso, fuego, congelamiento u otros actos de la naturaleza, violencia o instalación no adecuada.
3. El equipo debe instalarse y operarse de acuerdo con los códigos locales de plomería y con un suministro de agua aprobado.
4. El equipo se limita al uso en presiones de agua y temperaturas que no excedan nuestras especificaciones publicadas.
5. El suministro de agua no debe exceder los 2,0 ppm de cloro. Para un suministro de agua que exceda los 2,0 ppm de cloro, se requiere un tratamiento previo. (Comuníquese con su especialista de tratamiento de agua).
6. Se debe proporcionar la información, incluyendo el número de modelo, número de serie y fecha de instalación, para todo reclamo acerca del equipo con garantía.
7. Las piezas defectuosas están sujetas a una inspección por Watts Regulator Company o algún representante autorizado antes de realizar el ajuste de compromiso de garantía final.
8. Watts Regulator Company se reserva el derecho de realizar cambios o sustituciones en las piezas o equipos con material de calidad o valor equivalente y luego de su producción actual.

Limitaciones

Nuestra obligación según la presente garantía con respecto al tanque o válvula se limita a facilitar un reemplazo, o a nuestra opción, reparar toda pieza o piezas a nuestra satisfacción, que se comprobó defectuosas, dentro del período de garantía antes mencionado. Dichas piezas de reemplazo se entregarán a la fábrica F.O.B. más cercana del dueño, sin costo alguno, excluyendo cargos por fletes y trabajos locales, de presentarse.

Nuestra obligación según la presente garantía con respecto al regenerador de OneFlow® se limitará a facilitar un reemplazo por el regenerador en un plazo de dos años a partir de la fecha de la instalación original. Dicha sustancia de reemplazo se entregará a la fábrica F.O.B. más cercana del dueño, sin costo alguno, excluyendo cargos por fletes y trabajos locales, de presentarse. El daño al regenerador debido al cloro, otros oxidantes u otros residuos causados por las condiciones locales del agua o todo funcionamiento adicional fuera de los límites indicados en las Especificaciones no se cubrirá mediante esta garantía.

LA GARANTÍA AQUÍ ESTABLECIDA SE CONFIERE EXPRESAMENTE Y ES LA ÚNICA GARANTÍA OTORGADA POR WATTS REGULATOR COMPANY CON RESPECTO AL PRODUCTO. WATTS REGULATOR COMPANY NO EXTIENDE NINGUNA OTRA GARANTÍA, EXPLÍCITA O IMPLÍCITA. WATTS REGULATOR COMPANY SE EXIME ESPECÍFICAMENTE A TRAVÉS DE ESTE DOCUMENTO DE CUALQUIER OTRA GARANTÍA, EXPLÍCITA O IMPLÍCITA, INCLUIDAS ENTRE OTRAS, LAS GARANTÍAS IMPLÍCITAS DE COMERCIABILIDAD Y APTITUD PARA UN FIN EN PARTICULAR.

El recurso descrito en esta garantía será el único y exclusivo en caso de incumplimiento de la garantía, y Watts Regulator Company no será responsable por ningún daño incidental, especial ni indirecto, lo cual incluye, a título meramente enunciativo, flete, manipulación, lucro cesante o el costo de reparar o reemplazar otros bienes que se hayan dañado si este producto no funciona correctamente, otros costos resultantes de mano de obra, retrasos, vandalismo, negligencia, contaminación ocasionada por materia extraña, daños por condiciones adversas del agua, productos químicos o cualquier otra circunstancia sobre la cual Watts Regulator Company no tenga control. Esta garantía quedará anulada por maltrato, uso indebido, mal uso o instalación incorrecta del producto.

Algunos estados no permiten limitaciones sobre la duración de las garantías implícitas y algunos estados no permiten la exclusión ni la limitación de daños incidentales o indirectos. Por lo tanto, es posible que las limitaciones anteriores no correspondan en su caso. Esta garantía le proporciona derechos legales específicos, y usted también puede tener otros derechos que varían de un estado a otro. Deberá consultar las leyes estatales correspondientes para poder determinar sus derechos. MIENTRAS ASÍ LO PERMITA LA LEGISLACIÓN ESTATAL APLICABLE, LAS GARANTÍAS IMPLÍCITAS QUE NO PUEDAN RECHAZARSE, INCLUIDAS, A MODO ILUSTRATIVO, LAS GARANTÍAS IMPLÍCITAS DE COMERCIABILIDAD Y APTITUD PARA UN FIN PARTICULAR, TENDRÁN UNA DURACIÓN LIMITADA A LOS PERÍODOS DE GARANTÍA APLICABLES ANTES MENCIONADOS.



EUA: T: (978) 689-6066 • F: (978) 975-8350 • Watts.com

Canadá: T: (905) 332-4090 • F: (905) 332-7068 • Watts.ca

América Latina: T: (52) 55-4122-0138 • Watts.com

Manuel d'installation, d'utilisation et d'entretien

OneFlow[®] Anti-Scale System

Système anti-tartre OneFlow[®]

Prévention du tartre sans produits chimiques et sans sel

Modèle OF744-10 Modèle OF948-16
Modèle OF844-12 Modèle OF1054-20

⚠ AVERTISSEMENT



Lisez ce manuel AVANT d'utiliser cet équipement.

Le non-respect de toutes les instructions de sécurité et d'utilisation de ce produit peut endommager ce produit ou entraîner d'autres dommages matériels, des blessures graves ou la mort.

Conservez ce manuel pour référence ultérieure.

Introduction

Le système anti-tartre Watts OneFlow[®] offre une protection contre la formation de tartre sur les surfaces internes de la plomberie. Le système OneFlow[®] peut être installé au point d'entrée d'un bâtiment pour traiter l'eau froide et l'eau chaude. Il peut aussi être installé directement à l'arrivée d'eau d'un chauffe-eau, d'une chaudière ou d'un appareil où se trouve de l'eau, lesquels nécessitent une protection contre l'eau dure.

OneFlow[®] prévient la formation de tartre en transformant les minéraux normaux responsables de la dureté dissous en microparticules cristallines non dissoutes. Ces microparticules cristallines restent suspendues dans l'eau et leur capacité à réagir et à se fixer à des surfaces est fortement réduite comme le font les minéraux responsables de la dureté de l'eau. Par conséquent, le problème de l'accumulation interne de tartre dans les tuyaux, les chauffe-eau, les appareils et le verre est considérablement réduit.

OneFlow[®] n'est pas un adoucisseur d'eau ni un additif chimique (comme les agents antitartre ou séquestrants). Il s'agit d'un dispositif de prévention de tartre avec des données de test de laboratoire éprouvées de tiers et des années d'installation résidentielle et commerciale réussie. OneFlow[®] est le dispositif de traitement de l'eau qui fournit efficacement une protection contre le tartre tout en étant une excellente solution de rechange sans sel à l'adoucissement d'eau (échange d'ions) ou aux produits chimiques de séquestration. Les composants chimiques des produits de nettoyage pour la lessive et pour le lavage de vaisselle nécessiteront également des ajustements.

Avantages de OneFlow[®]

- Prévention et protection du et contre le tartre sans produits chimiques – convertit les minéraux responsables de la dureté en cristaux microscopiques inactifs sans danger rendant la technologie OneFlow[®] un choix de rechange efficace par rapport à un adoucisseur d'eau pour la prévention du tartre en raison de la dureté de l'eau
- Ne nécessite aucun entretien – aucune vanne de régulation
- Utilise une technologie écologique en n'employant pas de sel ni d'autres produits chimiques pour éviter de constamment en ajouter, qui ne requiert ni électricité ni eau usée.
- Améliore l'efficacité de tous les appareils utilisant de l'eau – eau chaude** et eau froide.



- Dimensionnement et installation simples – tout ce que vous devez savoir est la taille du tuyau et le débit de pointe.
- Sécuritaire pour l'aménagement paysager et l'arrosage des pelouses. Pas de frais de plomberie de dérivation.
- Compatible avec tous les systèmes de traitement des eaux usées de la communauté et locaux.
- Système parfait pour les villes ou les collectivités qui interdisent ou limitent les adoucisseurs d'eau.
- OneFlow[®] ne supprime pas les minéraux ni n'ajoute de sodium pour l'alimentation en eau.
- OneFlow[®] peut être installé en tant que prétraitement aux systèmes commerciaux à l'osmose inverse (veuillez contacter votre représentant Watts pour obtenir un complément d'information).
- * Pour les applications à haut débit, communiquez avec votre représentant Watts pour des systèmes plus importants à multiples réservoirs, installés en parallèle, qui peuvent satisfaire aux applications à haut débit de 100 g/m jusqu'à plus de 1 000 g/m
- ** Pour les applications d'eau chaude où la température de l'arrivée d'eau est 100 °F à 140 °F (38 °C à 60 °C), veuillez consulter ES-OneFlow-HotWater.



Systèmes certifiés conformes par la WQA aux normes NSF/ANSI 61 et 372 pour l'absence de plomb.

⚠ AVERTISSEMENT

Prendre soin de ne pas utiliser le système avec de l'eau impropre sur le plan microbiologique ou dont la qualité est inconnue sans procéder à une désinfection adéquate en amont ou en aval du système.

WATTS[®]

Caractéristiques techniques

Un système de prévention du tartre OneFlow® sera installé sur le principal tuyau d'approvisionnement en eau juste après l'entrée du tuyau dans le bâtiment, mais à la suite des autres dispositifs de sécurité des conduites d'eau pour tout le bâtiment (dispositifs anti-refoulement ou robinets réducteurs de pression) pour répondre efficacement aux préoccupations de dureté d'eau. L'installation d'un système peut également se faire plus en aval pour protéger des équipements spécifiques ou des zones du système de plomberie. Le système doit être installé avec une vanne de dérivation pour permettre l'isolation du ou des réservoir(s) et pour permettre la dérivation de l'eau non traitée si le service ou le remplacement de médium est nécessaire. La zone d'installation doit avoir une taille appropriée pour le ou les réservoir(s) qui seront entretenus sans encombre et placés à la verticale sur une surface plane et horizontale.

Le système doit fonctionner par le haut et ne nécessite pas d'eau supplémentaire pour le rétrolavage, le rinçage ou se régénérer une fois mis en service. Le système ne nécessite aucun additif chimique et ne nécessite pas d'électricité pour fonctionner.

Normes

Des essais scientifiques indépendants ont confirmé que la technologie du « Template Assisted Crystallization » (Modèle assisté de cristallisation, TAC) prévoit une réduction du tartre de plus de 95 %. Les essais ont été effectués sous protocole basé sur l'essai DVGW W512 pour contrôler l'accès de la formation de tartre.

⚠ MISE EN GARDE

- Ne pas utiliser dans des systèmes fermés.
- Empêchez le gel du système. Des dommages au réservoir peuvent en découler.
- Le système doit être utilisé en position verticale. Ne pas le déposer pendant le fonctionnement. Le système peut être placé dans n'importe quelle position pour le transport et l'installation, mais il doit être utilisé en position verticale.
- Placez le système sur une surface lisse et plane. Étant donné que le système fonctionne dans un courant ascendant, le mode de lit fluidisé, présentant une surface plane, est plus important qu'avec un adoucisseur ou un filtre de média.
- Une vanne de dérivation doit être installée sur chaque système pour faciliter l'installation et le service.
- Respectez tous les codes du bâtiment ou de plomberie lors de l'installation du système.

⚠ AVERTISSEMENT

Utilisation du OneFlow® avec un autre équipement de traitement de l'eau.

En raison des propriétés uniques de OneFlow®, il existe des exigences particulières pour l'utilisation de OneFlow® en combinaison avec une filtration ou d'autres formes de traitement de l'eau.

1. OneFlow® doit être la dernière étape de la chaîne de traitement. N'installez pas de filtre après le système OneFlow® ou avant un dispositif pour lequel la prévention du tartre est nécessaire. Les filtres « POU » (point d'utilisation), par exemple au charbon, « RO » (osmose inversée) ou ultraviolet (UV) sont exemptés de cette exigence.
2. N'appliquez aucun autre antitartre avant ou après OneFlow®.
3. L'ajout de savons, de produits chimiques ou de nettoyage avant ou après le traitement OneFlow®, peut annuler les effets du traitement anti-tartre et/ou produire de l'eau avec des résidus lourds ou des salissures potentielles. Toutes réactions négatives causées par l'ajout de savons, ou de produits chimiques ou de nettoyage, sont uniquement de la responsabilité de l'utilisateur final.
4. OneFlow® n'est pas un adoucisseur d'eau et il n'adoucit pas l'eau – Les produits chimiques du traitement de l'eau (p. ex., anti-tartres, séquestrants, savons, produits chimiques, produits nettoyants, etc.), devront probablement être modifiés pour être compatibles avec le système de traitement de OneFlow®. Les composants chimiques des produits de nettoyage pour la lessive et pour le lavage de vaisselle nécessiteront également des ajustements.

AVIS

Des traces pourraient apparaître sur les surfaces de plomberie externe.

Les systèmes du média OneFlow® fonctionnent mieux avec une utilisation de l'eau potable en un seul passage SANS additifs chimiques supplémentaires. Selon la dureté, de légères traces de tartre pourraient apparaître. Ces légères traces de tartre peuvent généralement être aisément nettoyées avec un chiffon humide et ne formeront pas de dépôt de tartre dur. Un adoucisseur d'eau pour Point d'utilisation (POU) doit être utilisé pour des applications qui exigent une absence de traces (p. ex., verres à pied, vaisselle).

Exigences relatives à l'état chimique de l'eau d'alimentation

pH	6,5 à 8,5
Dureté (maximum)	30 grains (513 ppm CaCO ₃)*
Pression de l'eau	15 psi à 100 psi (1,03 bar à 6,9 bar)
Température	40 °F à 100 °F (5 °C à 38 °C)
Chlore libre	< 2 ppm
Fer (maximum)	0,3 ppm **
Manganèse (maximum)	0,05 ppm **
Du cuivre	1,3 ppm ***
Huile et H ₂ S	Doivent être retirés avant OneFlow
Phosphates totaux	< 3,0 ppm
Silice (maximum)	20 ppm †
MDT	1 500 mg/l ††

AVIS

Ne l'utilisez pas dans des systèmes fermés.

* Les systèmes utilisant la technologie OneFlow® sont efficaces pour contrôler la formation de tartre à l'intérieur du système de plomberie à des niveaux de dureté de l'influent jusqu'à 75 grains par gallon (1 282 mg/l) de carbonate de calcium. En raison des variations de la chimie de l'eau, 30 grains par gallon sont un maximum de dureté recommandée en raison de problèmes esthétiques potentiels liés à la formation de résidus à faible échelle à l'extérieur du système de plomberie. Des essais doivent être effectués afin de déterminer l'application appropriée lorsque les niveaux de dureté dépassent 30 grains par gallon.

**Tout comme avec les médias d'adoucissement de l'eau conventionnels, OneFlow® doit être protégé contre des niveaux excessifs de certains métaux qui peuvent facilement recouvrir la surface active, ce qui réduit son efficacité au fil du temps. L'eau fournie par les services publics pose rarement, voire jamais, de problème, mais si l'approvisionnement en eau provient d'un puits privé, confirmez que les niveaux de fer (Fe) et de manganèse (Mn) sont inférieurs à 0,3 mg/l et 0,05 mg/l, respectivement.

⚠ AVERTISSEMENT

***Conformément aux normes de l'EPA relatives à l'eau potable, la concentration de cuivre autorisée ne doit pas dépasser 1,3 ppm. Des niveaux élevés de cuivre encrasseront le médium OneFlow, provenant généralement de la plomberie en cuivre. Les conduites de cuivre doivent être passivées pendant au moins 4 semaines avant de faire fonctionner l'appareil. Pour des applications dont la concentration de cuivre dépasse 1,3 ppm, veuillez communiquer avec l'équipe d'assistance technique Watts Water. Pour réduire davantage tout problème d'excès de cuivre, évitez d'appliquer trop de flux sur les surfaces intérieures des tuyaux et utilisez un flux soluble à l'eau peu corrosif conforme à la norme ASTM B813.

† Le média OneFlow® ne réduit pas le tartre de silice. Bien que la silice tende à avoir un effet moins important sur la formation de tartre que les autres minéraux, elle peut agir en tant que liant, rendant les taches d'eau et les résidus de tartre à l'extérieur de la tuyauterie difficiles à enlever. Cette limite de 20 ppm est à des fins esthétiques.

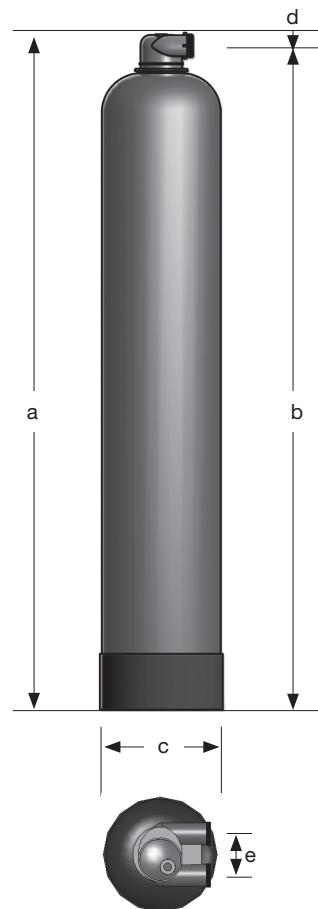
†† Tous les autres contaminants doivent satisfaire aux exigences de la USEPA Safe Water Drinking Act (loi sur l'eau potable sécuritaire de l'USEPA). Les MCL des minéraux et métalliques spécifiques, identifiés dans la publication de Watts Feed Water Chemistry Requirements (exigences relatives à l'état chimique de l'eau d'alimentation), ont publié les exigences chimiques d'alimentation en eau d'alimentation, remplacent le SDWA de l'USEPA.

AVIS

Une eau qui contient des charges importantes de saletés et de débris peut nécessiter une préfiltration avant l'utilisation de OneFlow®.

Spécifications sur l'équipement

Les systèmes OneFlow® sont complets, autonomes, chargés de médias et prêts à utiliser. Seul un simple raccord d'entrée et de sortie est nécessaire pour l'installation. Examinez les limites de pressions de fonctionnement, de températures et de chimie de l'eau afin d'assurer la compatibilité.



Dimensions (nominal - pouces)

a	47	47	49	58
b	46	46	48	57
c	7	8	9	10
d	1,0	1,0	1,0	1,0
e	3,0	3,0	3,0	3,0

Spécifications mécaniques

Raccords d'entrée/sortie

MODÈLE	RACCORDS
A	3/4 po (1,905 cm) soudé à l'étain
B	1 po (2,54 cm) soudé à l'étain
C	1 po (2,54 cm) MPT en plastique
D	1-1/4 po (3,175 cm) MPT en plastique
E	1 po (2,54 cm) MPT en plastique Coude à 90°

MODÈLE	OF744	OF844	OF948	OF1054
Débit de service max. (gpm)	10	12	16	20
Poids sec (lb)	26,60 lb/ 12,06 kg	30,5 lb/ 13,84 kg	36,36 lb/ 16,49 kg	44,20 lb/ 20,05 kg
Poids à vide (lb/kg)	84,60 lb/ 38,97 kg	102,50 lb/ 46,50 kg	136,36 lb/ 61,85 kg	177,20 lb/ 80,38 kg

Le dépassement du débit maximal peut avoir pour effet de limiter et d'annuler la garantie

La chute de pression au pic de débit est inférieure à 14 psi.

Lecture de la chute de pression prise avec des jauges à l'entrée et à la sortie installées à une hauteur commune et une eau d'alimentation de 80 °F (26,7 °C).

Médium de rechange

Modèle	Fréquence de remplacement
OF744RM	Le médium doit être remplacé tous les 3 ans
OF844RM	Le médium doit être remplacé tous les 3 ans
OF948RM	Le médium doit être remplacé tous les 3 ans
OF1054RM	Le médium doit être remplacé tous les 3 ans

Installation

Serrer la tête du réservoir

AVIS

Vérifiez la tête sur le dessus du réservoir. Elle se desserre souvent pendant le transport. Serrez fermement la tête à la main.

AVIS

Lorsque les systèmes OneFlow® sont installés au rez-de-chaussée d'un bâtiment, il est conseillé d'installer également un **reniflard** pour protéger contre le risque d'effondrement du réservoir si le système de plomberie venait à être vidé. En l'absence de reniflard, le système doit être placé en dérivation chaque fois que le système de plomberie est purgé. Le code EDP pour le reniflard recommandé est 0556031 (non fourni). Le reniflard doit être installé sur la sortie du système.

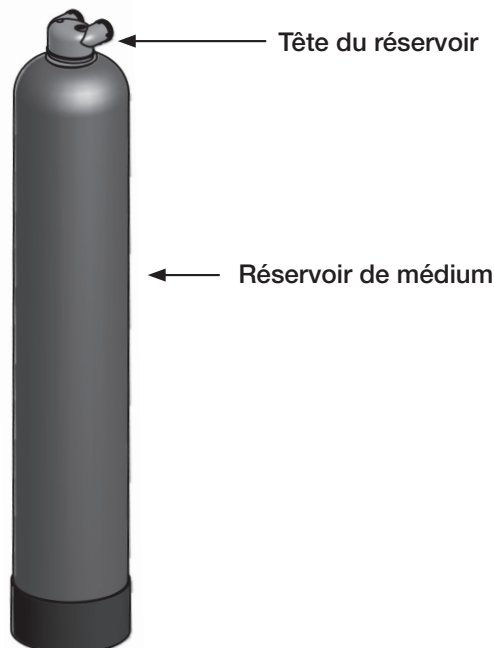
AVIS

- Pour isoler le réservoir pour l'entretien, nous vous conseillons d'installer un robinet à tournant sphérique d'union double à l'entrée afin d'isoler le réservoir pour l'entretien, ou d'installer une vanne de dérivation facultative vendue séparément.
- Une vanne de dérivation complète doit être installée pour que le débit d'utilisation total puisse être dévié du système pour l'entretien.

Installation de la tuyauterie

Raccordez la tuyauterie d'entrée et de sortie selon vos préférences, et dans le respect de tout code local applicable. Incluez des raccords d'échantillon/d'évacuation avec des connexions de robinet d'arrosage sur la tuyauterie d'entrée et de sortie afin de faciliter le démarrage et l'entretien.

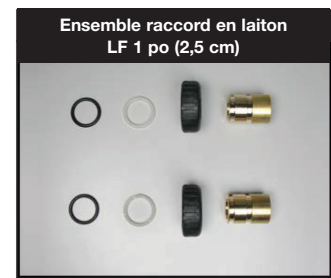
Présentation du système



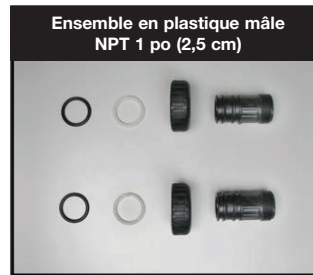
Raccords types



Modèles « A » CK3007-03
(N° EDP : 0002171)



Modèles « B » CK3007-02
(N° EDP : 0002170)



Modèles « C » CK3007-04
(N° EDP : 0002172)



Modèles « D » CK3007-05
(N° EDP : 0002173)



Modèles « E » CK3007
(N° EDP : 0002169)

Vanne de dérivation facultative vendue séparément

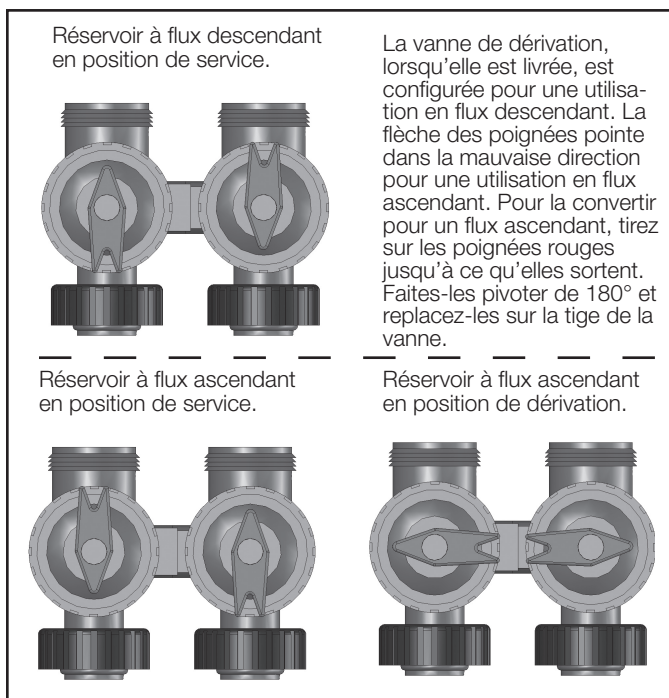


CK-V3006 (N° EDP : 0002167)

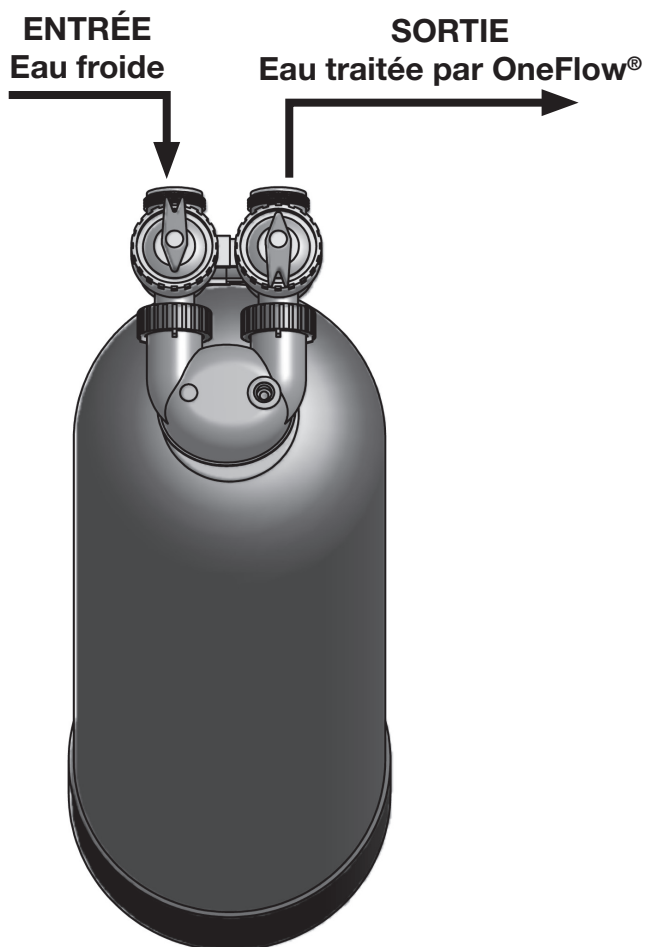


CK-V3191-01 (N° EDP 0002168)

Modification de la vanne de dérivation



Installation et démarrage



Modèle OF844-12 illustré avec ensemble de vanne de dérivation facultative.

1. Coupez l'alimentation d'eau principale vers le système OneFlow® et ouvrez un robinet à l'intérieur pour libérer la pression dans la tuyauterie. Fermez le robinet intérieur une fois la pression évacuée.
2. Placez le système à l'emplacement souhaité. Assurez-vous que l'emplacement est plat et suffisamment robuste pour supporter le poids du système sous eau.
3. Raccordez le tuyau d'arrivée d'eau froide à l'entrée du système OneFlow®.

REMARQUE : Contrairement à un adoucisseur conventionnel, le système OneFlow® fonctionne en mode ascendant.

4. Placez un seau sous l'orifice de sortie ou installez une conduite allant de l'orifice de sortie jusqu'à un drain.
5. Alimentez à nouveau en eau le système OneFlow®. Ouvrez lentement le robinet d'alimentation (fourni par l'utilisateur) allant au système OneFlow®. Laissez le réservoir se remplir d'eau. Fermez le robinet d'alimentation lorsqu'un flux d'eau régulier s'écoule de l'orifice de sortie. Si la sortie coule dans un seau, l'eau peut éclabousser les objets à proximité. Si cela menace la sécurité, la valeur, la structure ou l'apparence de ces objets, protégez/retirez-les ou utilisez un tuyau de sortie pour l'écoulement.
6. Raccordez la sortie du système OneFlow® au tuyau d'arrivée d'eau froide de l'édifice.
7. Ouvrez le robinet d'alimentation en direction du système OneFlow®.
8. Ouvrez les robinets d'eau chaude et froide en aval du système OneFlow® pour évacuer tout air de la tuyauterie. Puis fermez les robinets.
9. Contrôlez la présence de fuites. Réparez au besoin.

AVIS

Remplissez la date d'installation et la date prévue pour la réinstallation du lit sur l'étiquette du produit située sur le devant de chaque réservoir et qui sert de rappel pour le remplacement du médium OneFlow® tous les 3 ans.

Le système est maintenant prêt pour le service.

Remplacement des médias

AVIS

Votre médium OneFlow® doit être remplacé tous les 3 ans.

1. Coupez l'alimentation primaire d'alimentation allant au réservoir OneFlow®.
2. Ouvrez un robinet ou un robinet de la conduite d'eau principale pour relâcher la pression dans le réservoir et dans les conduites de distribution avant et après le système.
3. Fermez les vannes d'isolement immédiatement avant et après le réservoir.
4. Si vous avez installé la vanne de dérivation facultative modèle CK-V3006 (N° EDP : 0002167), réglez-la à la position déviation.
5. Déconnectez les raccords d'entrée et de sortie du réservoir, puis déconnectez-les ensuite de la tête.
6. À l'aide d'une clé à courroie, retirez le raccord d'assemblage de tête fileté (en tournant dans le sens inverse des aiguilles d'une montre) et retirez l'assemblage du haut, y compris la crépine supérieure blanche en PVC. Rincez ces pièces dans un évier ou un seau d'eau à proximité. Ne videz pas le réservoir.
7. Retirez le tube de distribution avec le filtre du bas. Rincez ces pièces dans un évier ou un seau d'eau à proximité.
8. Prenez un tuyau de 6 pieds (1,82 m) en série de 3/4 po (1,905 cm). 40 PVC et une longueur de tuyau en polyvinyle d'un pouce (2,54 cm). La longueur du tuyau dépend de la distance vers le drain de plancher le plus proche. (On peut le acheter chez Home Depot ou chez Lowes.)
9. Insérez une extrémité du tuyau à l'intérieur du robinet d'arrosage et mettez l'autre extrémité du tuyau dans la partie supérieure du réservoir et vers le bas dans le média. Mettez l'autre extrémité du tuyau à l'intérieur d'un sac de riz et mettez le sac de riz sur le drain de sol.
10. Prenez un tuyau d'arrosage et mettez-le sur l'extrémité ouverte du tuyau de poly pour remplir le tuyau et le tuyau de raccordement avec de l'eau. Des bulles d'air sortiront du réservoir. Une fois que tout l'air est sorti du tuyau et du tuyau de raccordement, vous pouvez commencer à créer un effet de siphon pour enlever les médias. Placez le tuyau d'arrosage dans la partie supérieure du réservoir et ouvrez-le pour garder le réservoir plein d'eau. Poussez le tuyau de haut en bas dans les médias pour extraire le tout. Le sac de riz attrapera les médias et permettra à l'eau d'aller dans le drain.
11. Essayez de ne pas être trop énergique lors de l'extraction des médias. Allez-y lentement, petit à petit. Si vous laissez l'ensemble tuyau/tuyau de remplissage avec les médias, il se bloquera. Vous devez laisser les jets d'eau sortir du tuyau.
12. Lorsque tous les anciens médias sont enlevés, fermez le tuyau d'arrosage et continuez à siphonner jusqu'à ce que le réservoir soit à moitié plein d'eau.
13. Réinstallez le tube de distribution avec crépine inférieure qui a été retiré à l'étape n° 7. Centrez le tube de distribution dans le fond du réservoir. Assurez-vous que le tube de distribution est au même niveau que le dessus du réservoir. Couvrez l'extrémité ouverte supérieure du tube de distribution à l'aide de ruban adhésif et d'une feuille de plastique afin d'empêcher l'infiltration du médium dans celui-ci. Testez afin de confirmer que le tout demeurera en position durant le processus de chargement du médium. Versez soigneusement un sac de médium neuf, qui satisfait aux exigences de recharge du réservoir. Par exemple, un système OF1054-20 nécessite un (1) sac de médium de recharge OF1054RM.
14. Inspectez le raccord fileté sur le dessus du réservoir pour vous assurer qu'aucun grain de médias mal fixés ne soit collé sur les fils internes. S'ils sont visibles, essuyez-les avec un chiffon humide.
15. Remplacez l'ensemble de tête sur le tube de distribution et faites passer l'ensemble de la tête sur le réservoir à nouveau.

Serrez la tête à la main jusqu'à ce que le raccordement soit serré.

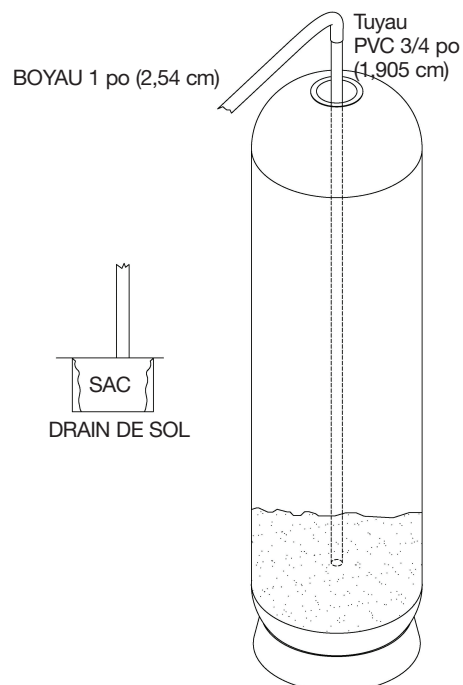
16. Reconnectez les raccords d'entrée et de sortie.
17. Si vous avez installé la vanne de dérivation facultative modèle CK-V3006 (N° EDP : 0002167), réglez-la à la position de service.
18. Ouvrez l'entrée d'eau d'alimentation (lentement) pour remplir le réservoir.
19. Purgez l'air d'un robinet de la conduite d'eau principale près du système.
20. Une fois que le réservoir est plein, attendez 4 heures pour permettre aux médias de s'« hydrater ».
21. Mettez le réservoir en fonction.

Autre méthode pour le remplacement des médias

Suivez les étapes 1 à 6 puis,

- Retirez toute l'eau du réservoir du tube de distribution central, du panier inférieur et du siphon
- Posez le réservoir sur son côté et faites pencher le haut du réservoir vers le bas tout en utilisant le tuyau pour vider les médias
- Lorsque tous les anciens médias sont enlevés, relevez le réservoir et installez-le en position initiale. Remplissez le réservoir de sorte qu'il soit à moitié plein d'eau.

Puis, continuez les étapes 12 à 19.



Notes / Notas / Notes

Garantie limitée

- Le système de réservoir OneFlow® est garanti comme étant exempt de tout défaut, tant au niveau des matériaux utilisés que de la main d'œuvre, et ce, pendant cinq (5) ans à compter de l'expédition initiale.
- Le rendement du média OneFlow® est garanti pendant deux (2) ans à compter de la date de l'installation initiale lorsqu'il est installé et utilisé conformément aux instructions du manuel d'installation et d'utilisation correspondant.

Watts Regulator Company garantit ses systèmes de cartouches OneFlow® comme suit :

- Le système de cartouches OneFlow® est garanti comme étant exempt de tout défaut, tant au niveau des matériaux utilisés que de la main d'œuvre, et ce, pendant un (1) an à compter de l'expédition initiale.
- Les cartouches OneFlow® sont garanties pendant une période d'un (1) an à compter de la date de l'installation initiale lorsqu'elles sont installées et utilisées conformément aux instructions du manuel d'installation et d'utilisation correspondant.
- Les cartouches de filtres de remplacement au charbon ne sont pas garanties pour fonctionner pour une période de temps donnée, car la durée de vie du filtre au charbon varie considérablement en fonction des conditions locales et du volume.

Conditions

1. Le système OneFlow® doit être installé dans des applications approuvées par la municipalité en eau conforme aux lignes directrices de l'EPA.
2. Toute panne d'un composant ne doit pas découler d'un abus, d'un incendie, du gel ou d'autres phénomènes naturels, actes de violence ou d'une mauvaise installation.
3. L'équipement doit être installé et utilisé en conformité avec les codes de plomberie locaux et sur un approvisionnement en eau approuvé.
4. L'équipement est limité à une utilisation à des pressions d'eau et des températures qui ne dépassent pas les spécifications que nous avons publiées.
5. L'approvisionnement en eau ne doit pas dépasser 2,0 ppm de chlore. Pour l'approvisionnement en eau dépassant 2,0 ppm de chlore, un prétraitement est nécessaire. (Veuillez communiquer avec votre spécialiste du traitement de l'eau.)
6. L'information, y compris le numéro de modèle, le numéro de série et la date d'installation, doit être fournie pour toute réclamation concernant le matériel sous garantie.
7. Les pièces défectueuses sont soumises à une inspection par Watts Regulator Company ou par tout représentant autorisé avant que le recours définitif de la garantie soit exécuté.
8. Watts Regulator Company se réserve le droit d'apporter des modifications ou des substitutions aux pièces ou à l'équipement par du matériel de qualité égale ou de valeur égale et ensuite par du matériel de la production courante.

Limitations

Notre obligation en vertu de la présente garantie par rapport au réservoir ou à la vanne est limitée à fournir un remplacement pour, ou selon notre option, la réparation de l'ensemble des pièces ou d'une pièce à notre satisfaction qui se révèle/révèlent défectueuse(s) pendant la période de garantie indiquée ci-dessus. Ces pièces de rechange seront livrées au propriétaire FAB à l'usine la plus proche, sans frais, à l'exclusion des frais de livraison et de main-d'œuvre locale, le cas échéant.

Notre obligation en vertu de cette garantie concernant le médium OneFlow® sera limitée à fournir un remplacement pour le médium dans les deux ans à compter de la date d'installation initiale. Ce remplacement sera livré au propriétaire FAB à l'usine la plus proche, sans frais, à l'exclusion des frais de livraison et de main-d'œuvre locale, le cas échéant. Les dommages au média attribuables au chlore, à d'autres contaminants ou à l'encrassement provoqué par les conditions locales de l'eau ou toute autre opération en dehors des limites indiquées dans les caractéristiques ne sont pas couverts par la présente garantie.

LA PRÉSENTE GARANTIE EST EXPRESSE ET REPRÉSENTE LA SEULE GARANTIE OFFERTE PAR WATTS REGULATOR COMPANY POUR CE PRODUIT. WATTS REGULATOR COMPANY N'OFFRE AUCUNE AUTRE GARANTIE, EXPRESSE OU TACITE. PAR LA PRÉSENTE, WATTS REGULATOR COMPANY REJETTE SPÉCIFIQUEMENT TOUTE AUTRE GARANTIE, EXPRESSE OU TACITE, NOTAMMENT TOUTE GARANTIE TACITE DE QUALITÉ MARCHANDE OU D'ADAPTATION À UN BUT PARTICULIER.

Le recours décrit dans le premier paragraphe de cette garantie constitue le seul recours à toute violation de la présente garantie. Watts Regulator Company ne saurait être tenue responsable de tout dommage accessoire, spécial ou indirect, y compris, sans s'y limiter : la perte de profits ou le coût afférent à la réparation ou au remplacement d'autres biens qui seraient endommagés par suite du fonctionnement incorrect dudit produit; d'autres coûts résultant de frais de main-d'œuvre, de retards, de vandalisme, de négligence, d'une obstruction causée par des corps étrangers, de dommages causés par une eau impropre, des produits chimiques ou par tout autre événement échappant au contrôle de Watts Regulator Company. La présente garantie est déclarée nulle et non avenue en cas d'usage abusif ou incorrect, d'une mauvaise utilisation ou d'une mauvaise installation du produit.

Certains États n'autorisent pas les limitations de durée d'une garantie tacite ou l'exclusion ou la limitation des dommages accessoires ou indirects. En conséquence, ces limitations pourraient ne pas s'appliquer à votre cas. Cette garantie vous octroie des droits légaux, et il se peut que vous en ayez d'autres qui varient d'un État à l'autre. Vous devez donc prendre connaissance des lois applicables pour votre cas particulier. **DANS LA MESURE PERMISE PAR LA LOI APPLICABLE DE L'ÉTAT, TOUTES LES GARANTIES TACITES NE POUVANT PAS ÊTRE REJETÉES, Y COMPRIS LES GARANTIES TACITES DE QUALITÉ MARCHANDE ET D'ADAPTATION À UN BUT PARTICULIER, SONT LIMITÉES EN DURÉE AUX PÉRIODES DE GARANTIE APPLICABLES CI-DESSUS.**

