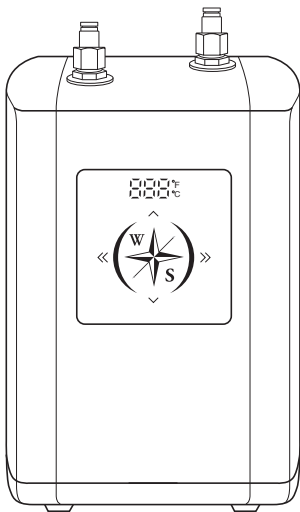


HOT TANK INSTALLATION AND OPERATING INSTRUCTIONS

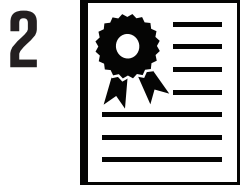
Model #:
7000



BEFORE YOU BEGIN YOUR INSTALLATION:



Turn off water supply.



Observe all local plumbing codes.



Inspect waste and water supplies for signs of damage. Replace as necessary.



DO NOT use petroleum based products on this item.

REQUIRED TOOLS:



1. Tape Measure

PARTS INCLUDED:

INLET CONNECTOR 1/4" NPTF TO 1/4" TUBE

OUTLET CONNECTOR 1/4" NPTF TO 5/16" TUBE

★ WARNING! ★

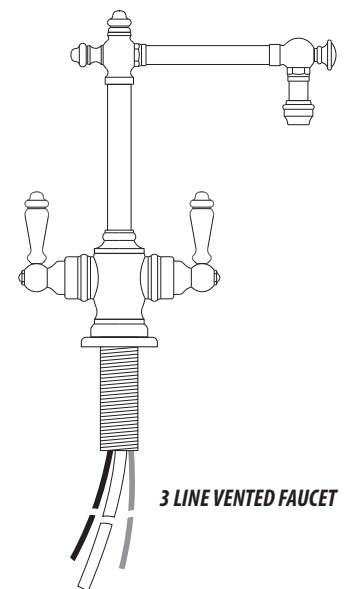
THE WATERSTONE #7000 HOT TANK IS DESIGNED FOR USE WITH A 3 LINE VENTED FAUCET ONLY.

Connection to a non-vented faucet WILL DAMAGE THE TANK and void the warranty. A kinked tank outlet tube or debris in the faucet obstructing the free flow of water from the tank will subject the tank to pressures exceeding its design limits and cause the tank to leak. The Hot Tank is an open vented system appliance. When not being operated, the pressure is 0psi. Minimum operating pressure is 22psi.

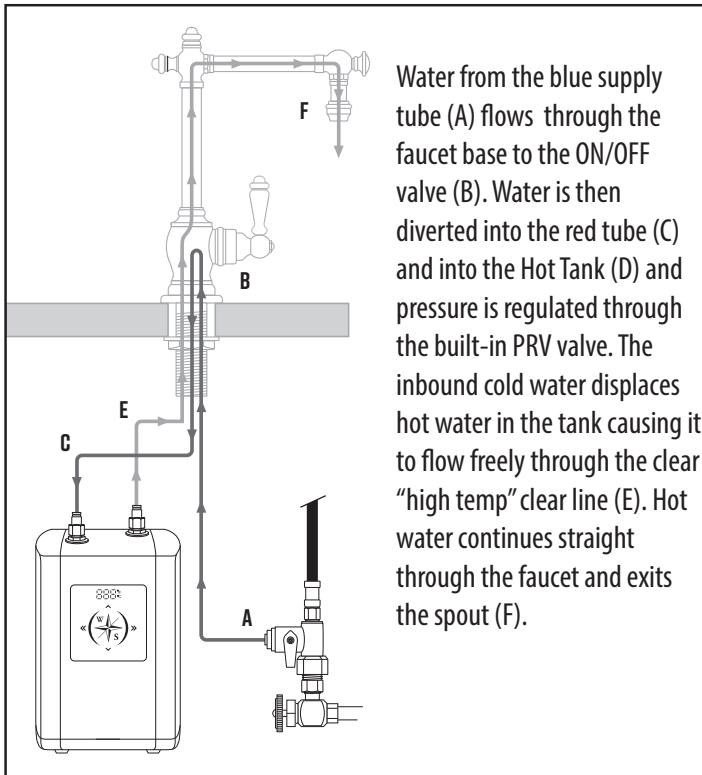
WARNING - USE OF AN IN-LINE INSTALLATION OF A WATER CHILLER WITH A WATERSTONE FAUCET OF ANY KIND WILL VOID OUR WARRANTY.

Since 2005, Waterstone has continued to advise all of our customers against the installation of any brand of in-line water chiller unit with our faucets. Compressor style chiller units have been proven to arbitrarily exceed the standard household in line pressure ratings causing the faucet inlet connection line to burst and create the potential for water damage claims in the field.

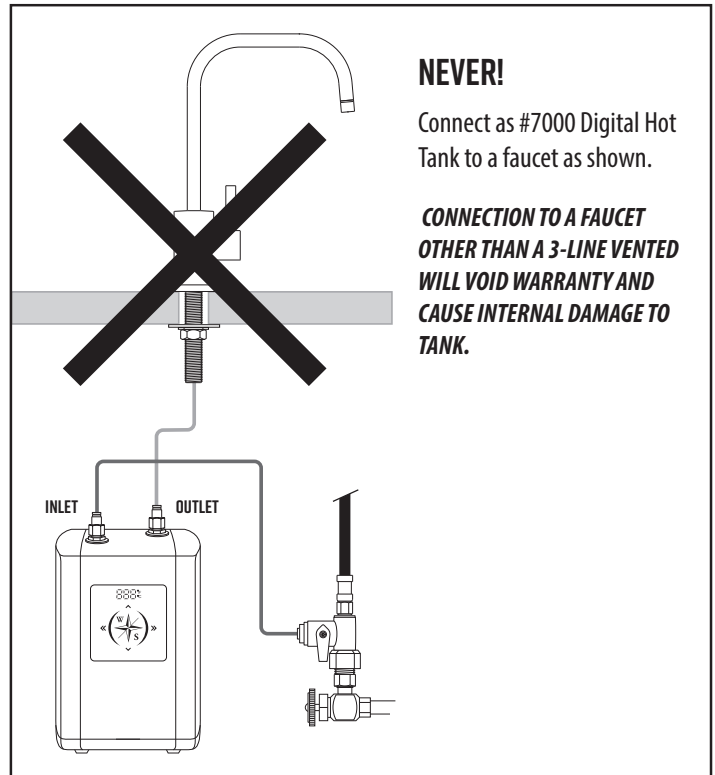
Waterstone can not and will not be held liable for damages created by a use for which our products were not designed.



HOW A VENTED FAUCET WORKS



Water from the blue supply tube (A) flows through the faucet base to the ON/OFF valve (B). Water is then diverted into the red tube (C) and into the Hot Tank (D) and pressure is regulated through the built-in PRV valve. The inbound cold water displaces hot water in the tank causing it to flow freely through the clear "high temp" clear line (E). Hot water continues straight through the faucet and exits the spout (F).

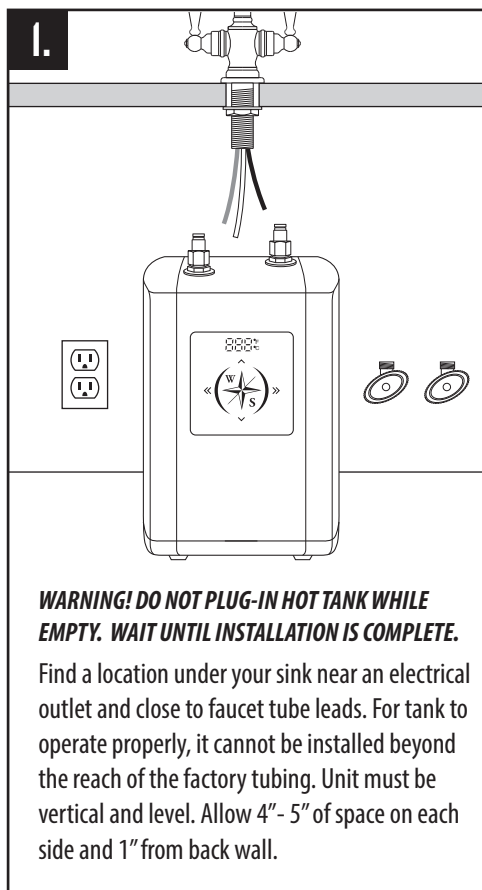


NEVER!

Connect as #7000 Digital Hot Tank to a faucet as shown.

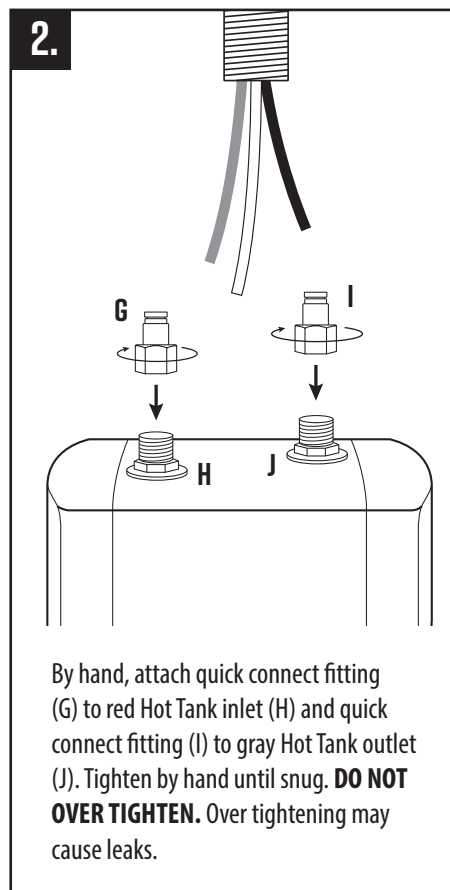
CONNECTION TO A FAUCET OTHER THAN A 3-LINE VENTED WILL VOID WARRANTY AND CAUSE INTERNAL DAMAGE TO TANK.

HOT TANK INSTALLATION

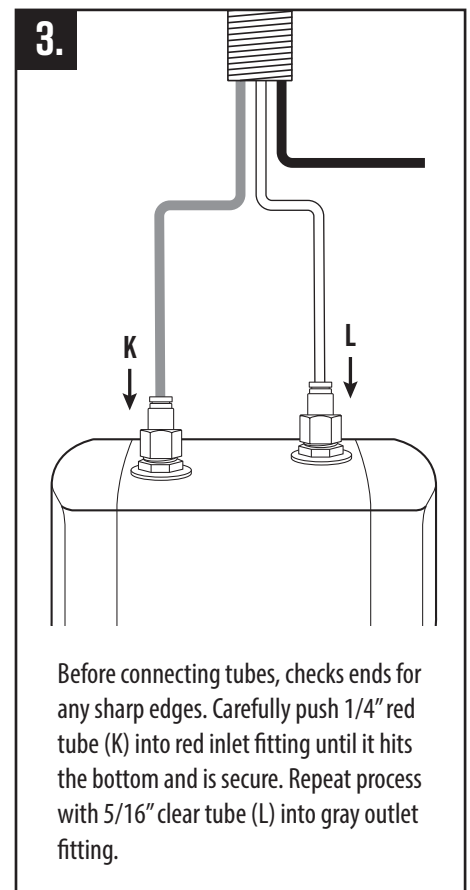


WARNING! DO NOT PLUG-IN HOT TANK WHILE EMPTY. WAIT UNTIL INSTALLATION IS COMPLETE.

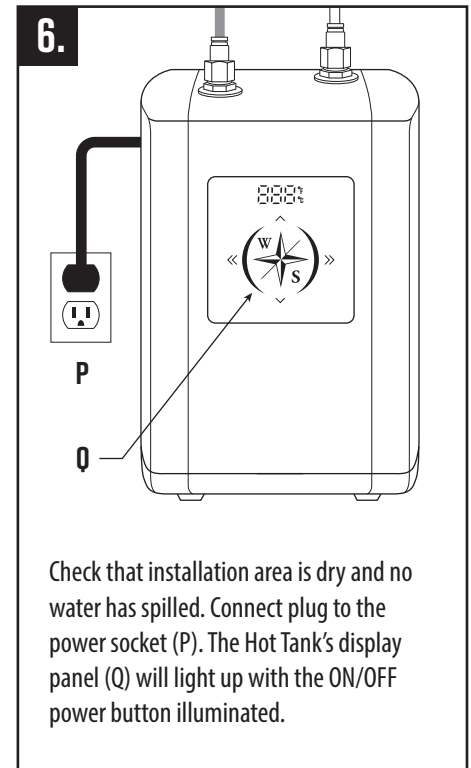
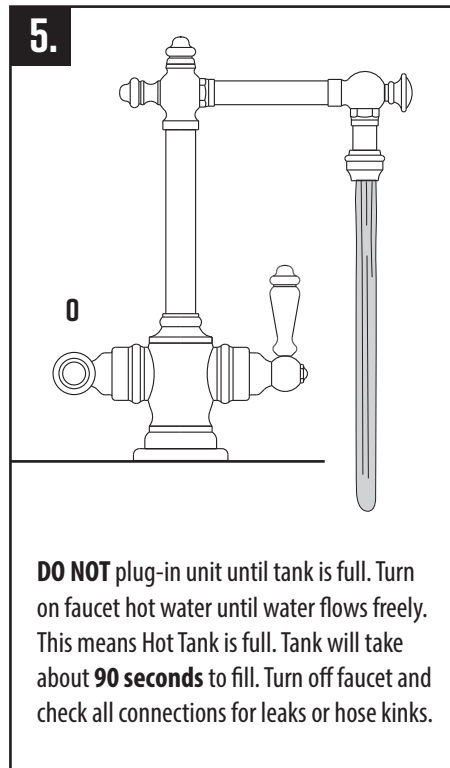
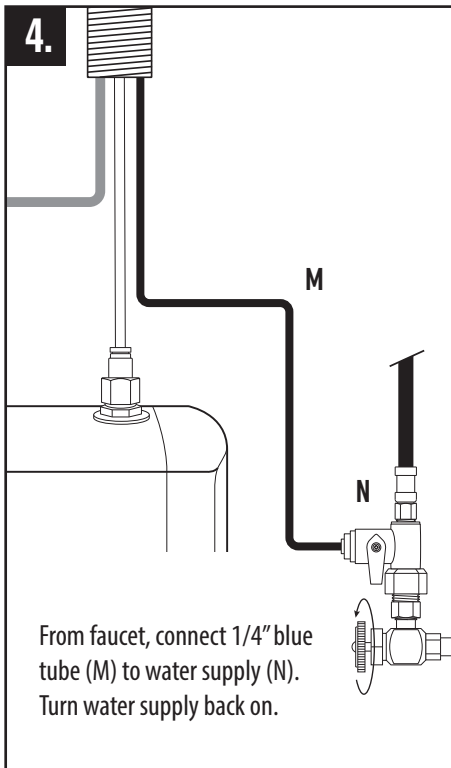
Find a location under your sink near an electrical outlet and close to faucet tube leads. For tank to operate properly, it cannot be installed beyond the reach of the factory tubing. Unit must be vertical and level. Allow 4" - 5" of space on each side and 1" from back wall.



By hand, attach quick connect fitting (G) to red Hot Tank inlet (H) and quick connect fitting (I) to gray Hot Tank outlet (J). Tighten by hand until snug. **DO NOT OVER TIGHTEN.** Over tightening may cause leaks.



Before connecting tubes, check ends for any sharp edges. Carefully push 1/4" red tube (K) into red inlet fitting until it hits the bottom and is secure. Repeat process with 5/16" clear tube (L) into gray outlet fitting.



HOT TANK OPERATIONS



Push power button in center to enable unit. Water temperature number will flash.



Set Hot Tank to desired temperature by pushing arrow buttons around the center. Hot Tank comes with six temperature presets: **167F, 176F, 194F, 203F, 206F, and 208F**. The single arrows on the top and bottom control the pre-set temperatures. Use the double arrow buttons on the left and right to adjust temperature up or down by one degree.

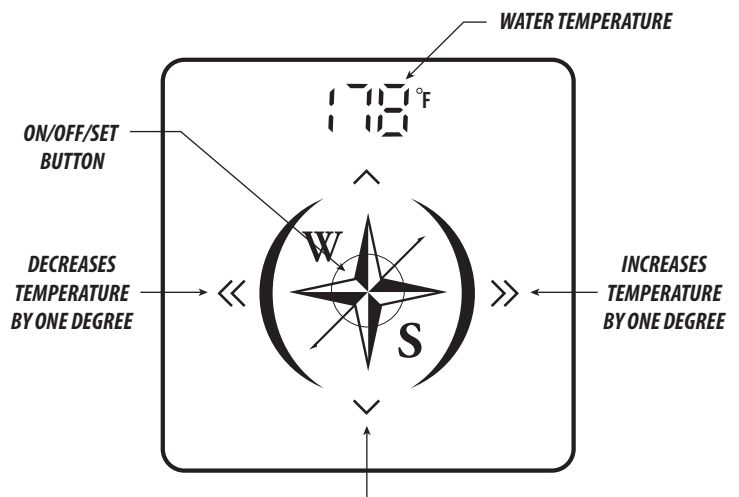


Once the desired temperature is chosen, push the center button again to set. Hot Tank will then begin to heat up and outer red rings will pulsate. Once unit has reached set water temperature, pulse will stop and red rings will remain lit.

208°F

If the Hot Tank ever becomes empty of water and is turned ON, the control panel will flash **E3**. An automatic dry-burn protection sensor will then shut down the unit. The display panel will then flash 208°F to indicate lack of water. To fill again, turn power off and repeat Step 4 in the installation section. Temperatures at or above 203F are the optimal settings for most installations. However, there are factors which may influence the performance of the unit such as incoming water temperature, atmospheric pressure and altitude. Should any water discharge from the spout during heat up, reduce the setting by 1 preset to compensate.

CONTROL PANEL



SIX PRE-SET TEMPERATURE SETTINGS:
167F, 176F, 194F, 203F, 206F, and 208F.

SAFETY INSTRUCTIONS

WARNING: This product can expose you to chemicals including Nickel, which is known to the State of California to cause cancer, and Lead which is known to the State of California to cause birth defects or other reproductive harm. Carefully read these instructions before installing and operating the Hot Tank. Failure to comply with these instructions could result in property damage, serious injury or death.

- Make sure all electrical wiring and water connections conform to local codes. Standard 120v electrical outlet is required under the sink. If possible, use a separate circuit dedicated to your Hot Tank.
- To avoid shock, serious injury or death, use a grounded power connection. DO NOT place cord, plugs or unit near or in water or other liquids.
- DO NOT disassemble main box or any part of the power supply.
- DO NOT operate the Hot Tank controls or power supply with wet hands.
- Check the power rating of your Hot Tank. Make sure it is suitable for the power rating of the electrical circuit it is being installed on.
- DO NOT operate or install the unit if it appears to have any missing parts or damaged in any way.
- DO NOT use outdoors or in a damp area or in a location that may fall below 32F.
- DO NOT use for anything other than intended domestic use. Not intended for commercial use.
- The Hot Tank must be installed vertically with inlet and outlet connections at the top of unit.
- Ensure the front of the unit is visible and the front control panel can be easily reached.
- DO NOT attempt to open, modify or service this electronic Hot Tank unit. Opening the unit will void the guarantee.
- Due to high water temperature, and for safety reasons, the Hot Tank unit is not under pressure. It is an open vented system unit.
- Turn off all controls before unplugging.
- To avoid the risk of flooding and property damage, regularly inspect the connections for any signs of leakage.
- DO NOT connect to a standard faucet. May cause injury, will damage the Hot Tank and void the guarantee.
- Keep children away from unit.
- DO NOT directly wash unit with water.
- Humidity should stay in a range of 10% to 60%. Be sure there is no dew.

MAINTENANCE AND CARE INSTRUCTIONS

FLUSHING THE HOT TANK

It is recommended that you flush through the system 2 or 3 times to ensure the system is fully operational. Turn on hot water until hot water within the tank has emptied. Allow the unit to reheat and then repeat.

WATER DRAW BACK AND CONTAMINATION IN THE TANK

You must ensure that the faucet spout is not submerged in water, especially during the dispensing of hot water when the hot water handle is closed. This will cause water draw back and contaminate the tank.

POWER SAVING

If the unit is not being used for long periods of time, turn off the unit to save power.

SEASONAL SHUTDOWN

Both the Hot Tank and Filtration Faucet must NOT be exposed to freezing temperatures. If there is a possibility of this, the system must be drained of water. Shut-off the main water supply and unplug the unit from the power socket. Allow the tank to cool for at least 1 hour. Disconnect the blue inlet and clear outlet tubes from the connectors on the tank. Lift the unit to the sink, turn upside down and drain all the water from the tank. When re-installing, follow the original installation instructions.

NOTICE

Like any water heater, the Waterstone Hot Tank has a limited operational life span. In order to ensure maximum performance, the unit should be flushed and inspected regularly for any water leakage or damage. This will help avoid possible property damage or personal injury. If a leak is found, replace any connectors and loose or split tubes. Place the unit in a drain pan or use a Waterstone AS-414 Safety Valve-Leak Detector for added leak protection.

TROUBLESHOOTING

PROBLEM: Water and steam is spitting from the Filtration Faucet spout

WHAT TO DO: The unit is boiling. Turn on the faucet's hot water and release the water. Adjust the water temperature on the display to a lower setting.

PROBLEM: Water is not hot.

WHAT TO DO: Turn on the power and press the ON/OFF/SET button. Adjust the water temperature or pre-set on the display to a higher setting. Press the ON/OFF/SET button again and confirm the heat up.

PROBLEM: The electronic display has not been powered up

WHAT TO DO: Check that the unit is plugged in and power is on.

PROBLEM: Water is too hot.

WHAT TO DO: Water temperature is set too high. Adjust the water temperature on the display to a lower setting.

PROBLEM: Water is dripping from the Filtration Faucet spout.

WHAT TO DO: The expansion chamber isn't draining the system correctly due to dispensing very small amounts of water. Dispense 2 cups of water to clear and prime the system. Avoid dispensing less than 1/2 cup of water per use.

PROBLEM: The spout is blocked

WHAT TO DO: Remove and clean the aerator. Bleed system to remove any air. Prime tank to allow correct operation.

PROBLEM: Slow flow from the spout

WHAT TO DO: Water filter may be clogged from impurities in the water. Water filter must be changed every 6 months to maintain warranty.

PROBLEM: Water does not flow right away.

The Hot Tank is designed for non-pressurized operation. There will be a slight delay until the near boiling water appears. If a large volume of water has been dispensed on the previous use, there may be a slightly longer delay in the water appearing from spout.

PROBLEM: No water flowing

WHAT TO DO: Water valves may have been turned off or inlet hoses may have been twisted or blocked. Turn on all the water valves and ensure the hoses are not twisted or kinked to restrict flow. The Hot Tank is not under pressure, so there will be a slight delay in water flow after the hot water faucet handle has been turned on. This is normal and indicates that the Hot Tank is functioning properly.



PERFECT FOR INSTANT HOT COFFEE, TEA, SOUP AND COOKING

PRODUCT FEATURES

- Instant hot water on demand.
- Perfect for hot coffee, tea, hot chocolate or soup.
- Digital interface and temperature control.
- Precision temperature adjustment from 167F to 208F (75C to 98C).
- Built-in inline Pressure Regulator Valve protects lifespan of internal parts.
- ABS plastic housing for lighter overall weight.
- Insulated 1/2 gallon 304 stainless steel tank.
- Non-pressurized bladder system.
- Dry burn and overheat protection sensors.
- Auto shut off if low water or no water present.
- Sound insulation and rubber feet for noise reduction.
- Stainless steel push fit adapters included.
- Compatible with RO filtration systems.
- Heating element: 1500 watts, 120 volts.
- 3/8" inlet and outlet connections.
- Protective metal casing.
- Dimensions: 8"L x 8"W x 12-1/4"H.
- Works with any Waterstone Hot Only or Hot & Cold Filtration Faucet.
- 3 year manufacturer warranty.



1-888-304-0660 • 951-304-0520
www.waterstoneco.com

VEN-038-HTTK