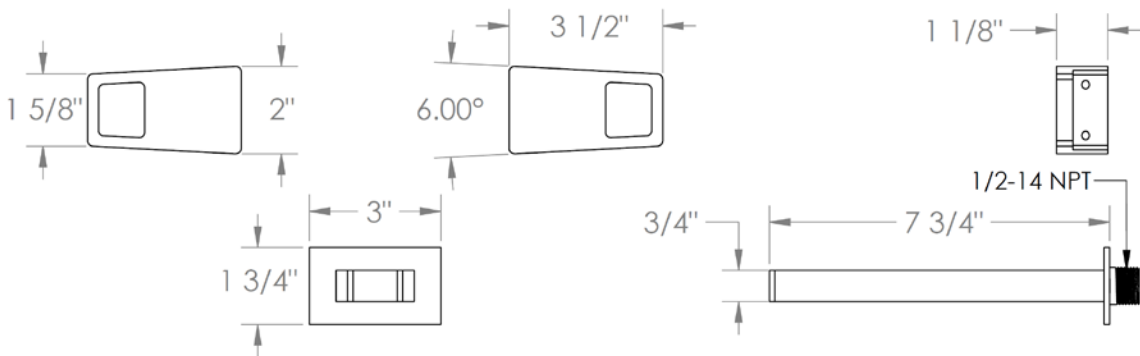
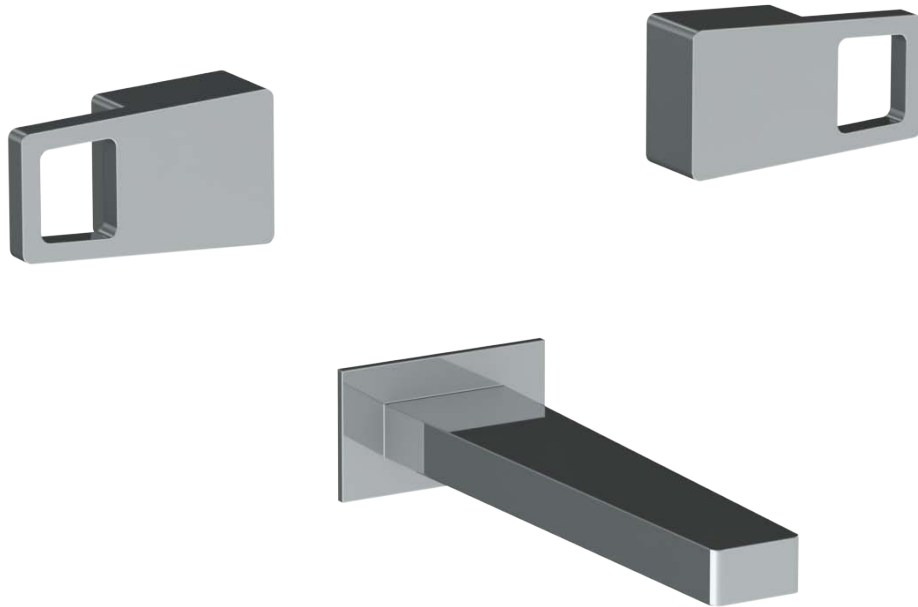


**35-5-ED2**

Wall Mounted 3 Hole Bath Set

Requires Either 1/2" 2-Valve Rough SS-506 or SS-THV2.2-26C



Meets the applicable requirements of ASME A112.18.1-2005/CSA B125.1-05, entitled "Plumbing Supply Fittings"