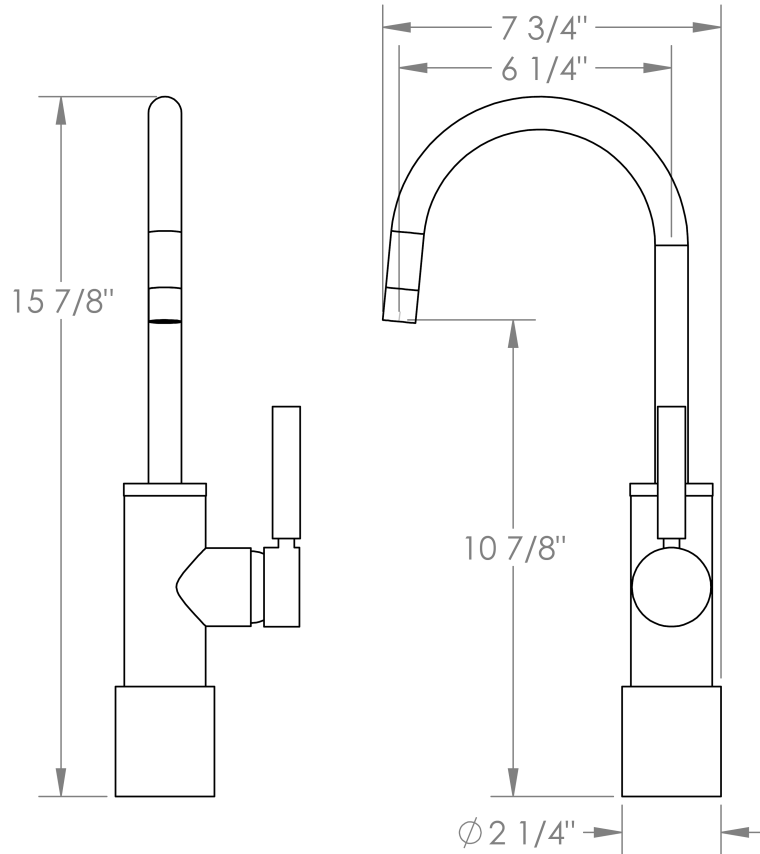


**23-1.1GX-L8**

Single Lever Monoblock  
Flow Rate: 1.2GPM



Meets the applicable requirements of ASME A112.18.1-2005/CSA B125.1-05, entitled "Plumbing Supply Fittings"