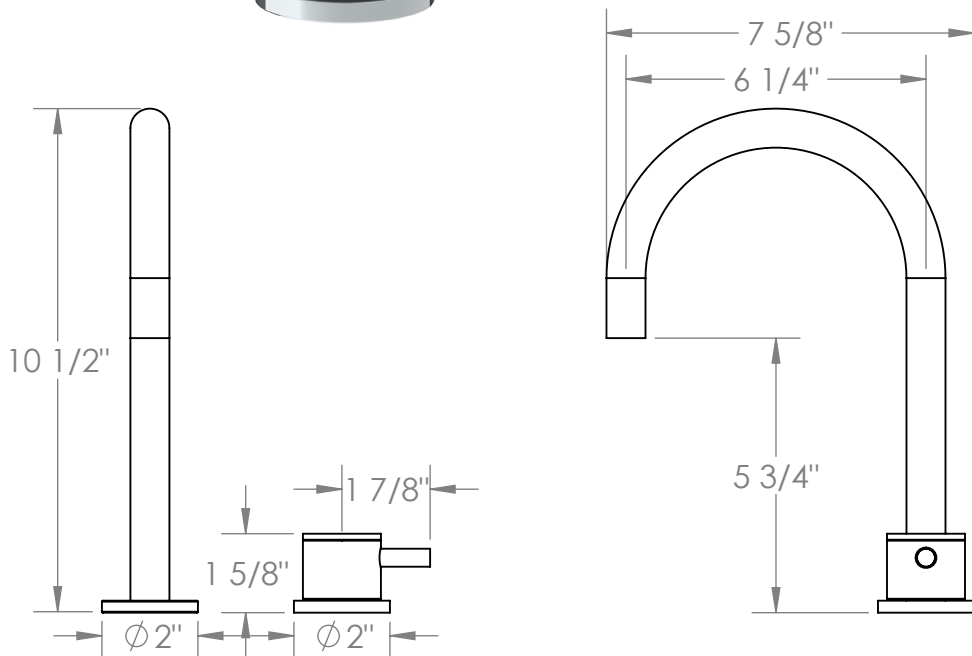


22-1.3-TIC

Deck Mounted 2 Hole Gooseneck Lavatory Set
Includes MPU5 Soft-Touch Drain with Overflow
Flow Rate: 1.2 GPM



Meets the applicable requirements of ASME A112.18.1-2005/CSA B125.1-05, entitled "Plumbing Supply Fittings"