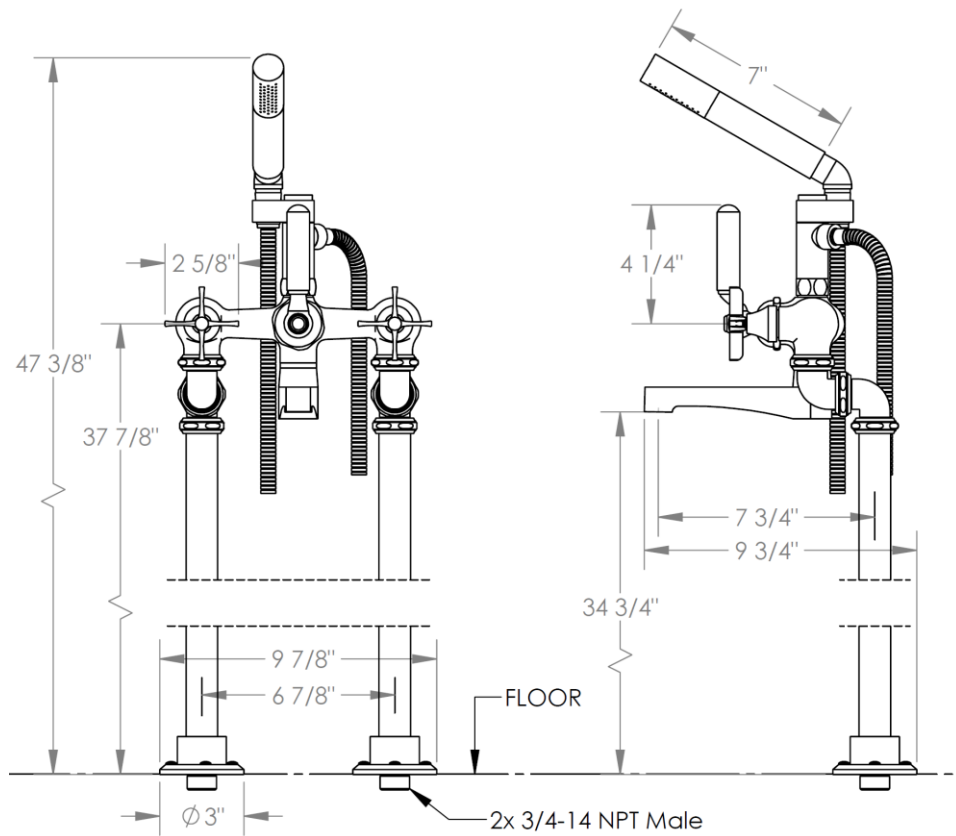
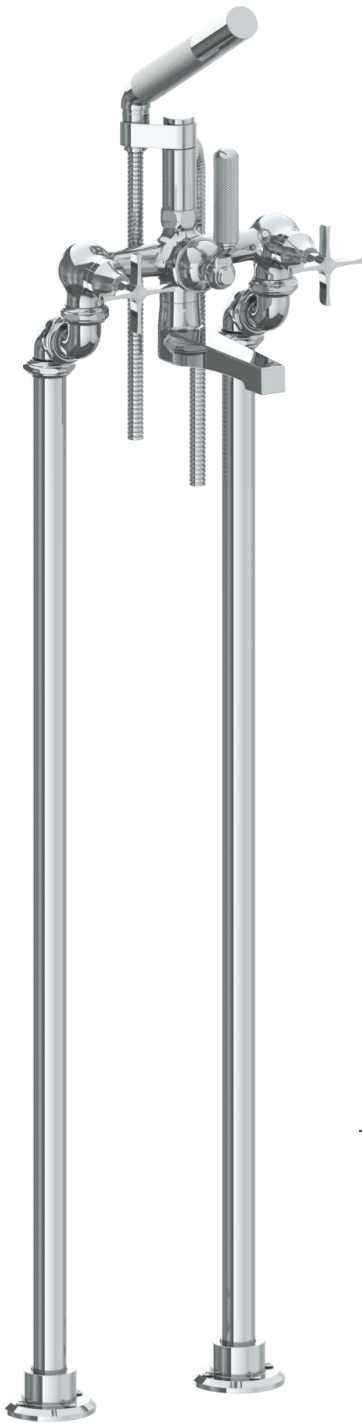


**115-8.3-**

Floor Standing Bath Set with Hand Shower

Hand Shower Flow Rate: 1.75 GPM

Note: Some building codes require remote pressure balance valves for anti-scald



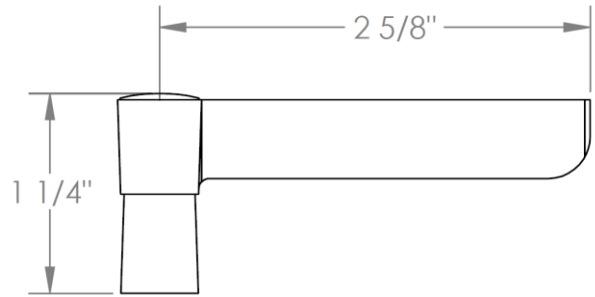
Meets the applicable requirements of ASME A112.18.1-2005/CSA B125.1-05, entitled "Plumbing Supply Fittings"

**WATERMARK** DESIGNS

**2/6/2019**

HANDLE TRIM OPTIONS

MZ4 - STANDARD



MZ5 - WHITNEY

