

⚠ WARNING

**DISCONNECT POWER BEFORE RELAMPING OR WIRING THE FIXTURE.
READ ALL INSTRUCTIONS COMPLETELY BEFORE STARTING INSTALLATION.**

⚠ CAUTION

- TO AVOID THE RISK OF FIRE OR SHOCK, FIXTURE MUST BE INSTALLED IN COMPLIANCE WITH ALL APPLICABLE NATIONAL AND LOCAL ELECTRICAL/BUILDING CODES.
- INSTALLATION AND MAINTENANCE OF THIS UNIT REQUIRES AN ELECTRICIAN OR CERTIFIED FACTORY TRAINED TECHNICIAN.
- If an existing fixture is being replaced, remove it and note to which of the wires in the outlet box the fixture was attached. DO NOT SEPARATE ANY OTHER WIRES THAT MAY BE IN THE BOX. DO NOT DAMAGE THE INSULATION OF OLDER WIRING. In regular circumstances the BLACK wire will be the "Hot" lead and the WHITE wire will be the "Neutral" or "Common" lead. A GREEN or BARE COPPER wire is the "Ground". In older buildings it is always good practice to reconfirm the polarity of the wiring.

NOTICE

- The important safeguards and instructions outlined on this sheet cannot cover all possible conditions and situations that may occur. It must be understood that common sense, caution and care are factors that cannot be built into any product. Caution and care must be supplied by the person(s) installing, operating and caring for this lighting fixture.
- This fixture is designed to be mounted on a correctly installed standard round or octagon box or a through wiring box with a plaster frame. The box must be securely mounted to the structure of the building. The crossbar and hardware supplied should be used. Directly mounting the fixture to the outlet box may make it impossible to correctly align the fixture.
- For your safety be certain that all circuit breakers controlling outdoor lighting and equipment are GFI breakers.

FIXTURE PREPARATION

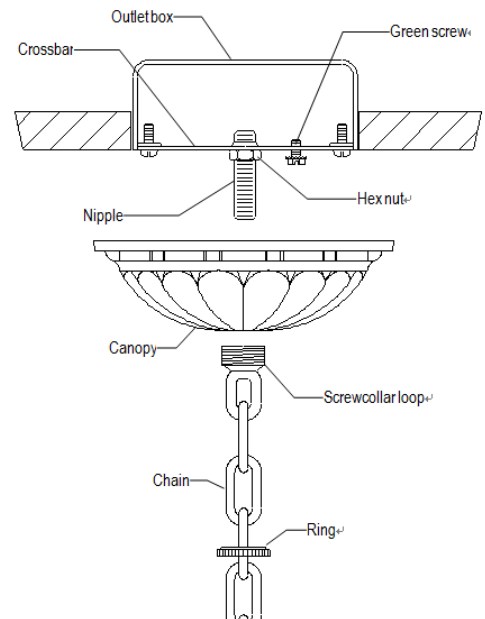
1. Remove the fixture, parts and parts bag(s) from the carton.

NOTICE:

Before discarding the carton, double check to make certain that all parts are found.

FIXTURE INSTALLATION

1. Attach the crossbar to the outlet box. (The green screw should face the floor).
2. Remove the threaded ring from the screwcollar loop. Fully thread the loop onto the nipple. Thread the hex nut onto the nipple and the nipple into the crossbar. Place the canopy over the screwcollar loop and against the ceiling. Adjust the nipple so that 1/4" of threads on the screwcollar loop extend beyond the canopy. Tighten the hex nut against the crossbar.
3. Open end links of chain and attach the chain to the screwcollar loop. Close the top link of chain. Hang the fixture on the chain at the desired height. Remove excess chain. Close the bottom link of chain.
4. Unscrew the ring from the screwcollar loop. Let the ring and canopy slide down the chain to the top of the fixture.



Thread the lead wires and ground wire (first) through the ring and then the canopy.
Thread the wires up through alternating links of the chain to the outlet box.

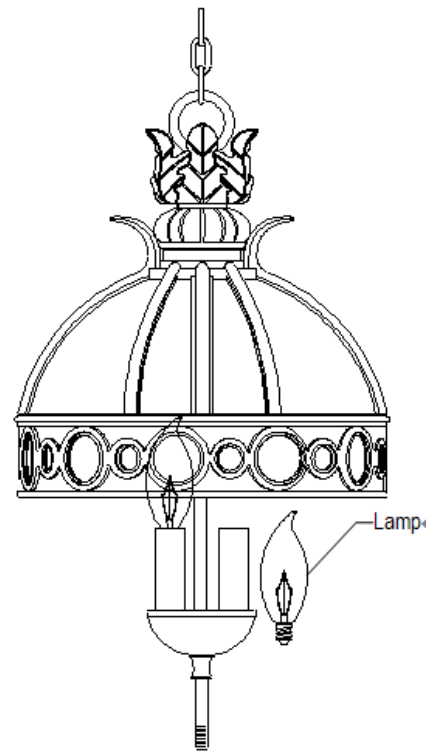
5. Measure 6" of lead wire beyond the end of the chain. Cut off excess wire. Strip the insulation off the ends of the leads exposing approx. 1/2" of wire. Twist the strands of wire together. Push the leads and ground wire up through the screwcollar loop and nipple and into the outlet box.

6. Fasten the ground wire to the green or bare copper wire in the outlet box or to the green screw on the crossbar.



WARNING

Never fasten the ground wire to the black or "hot" wire!
Failure to follow this instruction could result in serious injury or death!

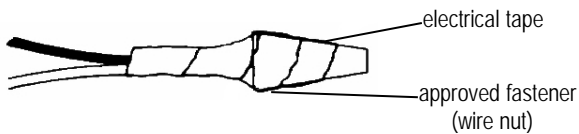


7. Fasten the white fixture lead to the white wire in the outlet box. Fasten the wires together with an approved fastener (wire nut). Starting about 1" below the fastener, tightly wrap the connection with electrical tape so that the connection seals the end of the fastener.

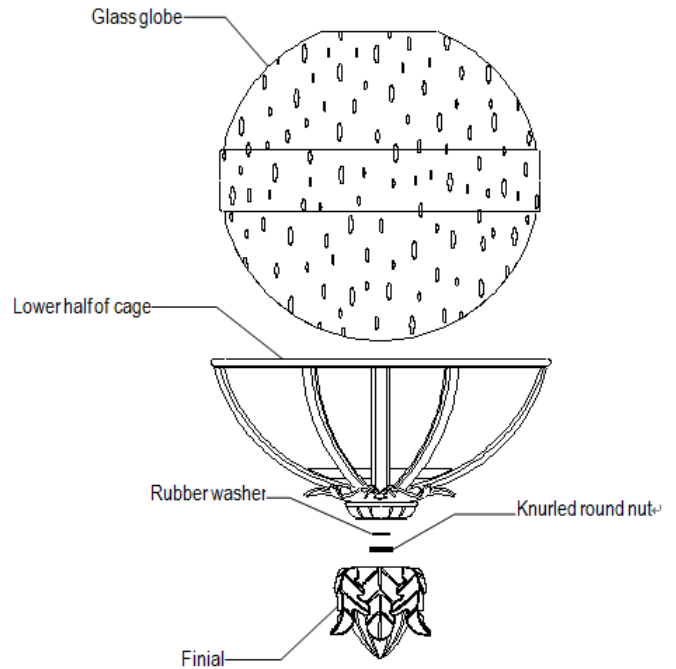


WARNING

Make sure that there is no exposed wire or strands that could cause a dangerous short circuit!



8. Connect the black fixture lead to the black wire in the outlet box. Fasten the joined wires as in step 7
9. Slide the canopy and screwcollar ring up the chain. Secure the canopy to the ceiling.
10. Remove the knurled round nut and rubber washer from the bottom of the cage. Remove the lower half of the cage.
11. Install the lamps (light bulbs). NOTE: This fixture is rated for Max 60 watt type B, BA, C or CA lamps .



WARNING

DO NOT EXCEED RECOMMENDED WATTAGE!

12. Place the glass globe onto the lower half of the cage. Lift the cage into position and secure using the rubber washer and knurled round nut.
13. Thread the finial onto the bottom of the fixture.
14. Restore power to circuit at breaker or fuse box.