

Guinevere® Pedestal Lavatory

FEATURES

- 27-1/8" x 19-7/8"
- Elegant styling
- 34" Universal Height for maximum comfort
- Rear overflow
- Vitreous china pedestal and lavatory combination complete with mounting hardware

MODELS

- LPT970
Pedestal lavatory with single hole
- LPT970.4
Pedestal lavatory with 4" faucet centers
- LPT970.8
Pedestal lavatory with 8" faucet centers
- Available Components:
LT970
Lavatory with single hole

LT970.4
Lavatory with 4" faucet centers

LT970.8
Lavatory with 8" faucet centers

PT970
Pedestal only, with mounting hardware

COLORS/FINISHES

- #01 Cotton
- #03 Bone
- #11 Colonial White
- #12 Sedona Beige
- #51 Ebony



Faucet sold separately

CODES/STANDARDS

- Meets and exceeds ASME A112.19.2/CSA B45.1
- Certifications: IAPMO(cUPC), State of Massachusetts, City of Los Angeles, and others
- Code compliance: UPC, IPC, NSPC, NPC Canada, and others



PRODUCT SPECIFICATION

The lavatory shall be 27-1/8" width and 19-7/8" depth. The basin shall be 22-3/8" width and 12-3/8" depth. The lavatory shall be made of vitreous china and be 34" universal height with rear overflow. Lavatory shall be TOTO Model LPT970_____.

LPT970

Guinevere® Pedestal Lavatory

SPECIFICATIONS

- Waste 1-1/4" O.D.
- Size 27-1/8" W x 19-7/8" D
- Basin 22-3/8" W x 12-3/8" D
- Warranty One Year Limited Warranty
- Material Vitreous china
- Shipping Weight LT970/LT970.4/LT970.8 54 lbs.

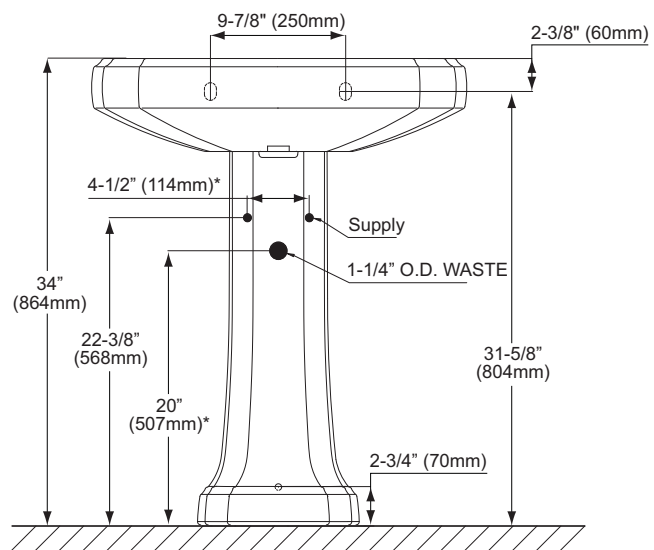
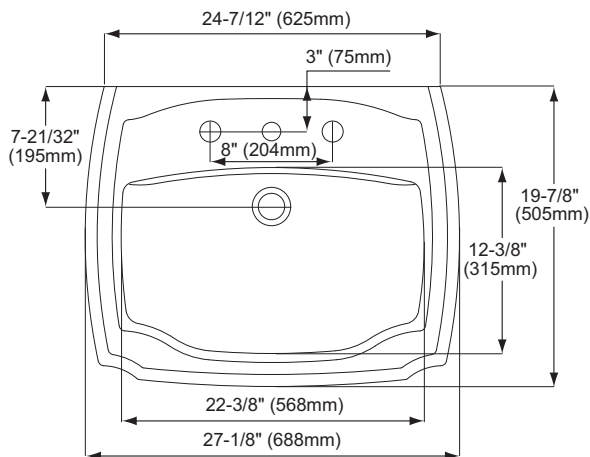
PT970
35 lbs.

- Shipping Dimensions LT970/LT970.4/LT970.8 28-11/32" W x 21-1/8" D x 8-5/8" H

PT970
28-1/2" W x 13" D x 10-7/8" H

INSTALLATION NOTES

Requires PT970 pedestal for support. Use proper back support to mount product.



TOTO®

These dimensions and specifications are subject to change without notice