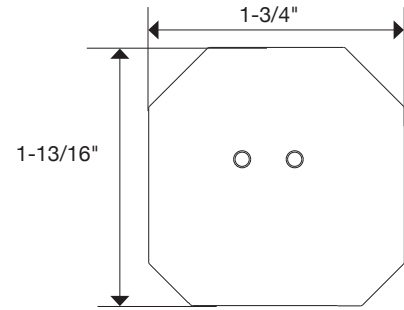
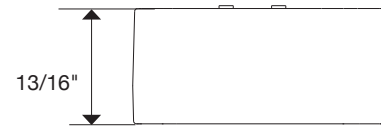




T-WAV-AC120V-R



Fixture Cross-Section



WAV 120V AC-AC SMART RECEIVER

PART NUMBER	DESCRIPTION / OUTPUT	DIMENSIONS
T-WAV-AC120V-R	A 120V AC-AC Smart Receiver designed to fit behind a 120V - 240V switch or outlet and turn any 120V -240V product or lighting into an App or Voice controlled device. Allows on / off / dimming capability. NOTE: Do not use with non-dimmable lighting	1-3/4" x 1-13/16" x 13/16" 45 mm x 45.5 mm x 20.29 mm

FEATURES

- Turns lighting into smart home compatible*
- Compatible with single white lighting
- Dims on 120 volt side
- 3-year limited warranty
- Designed for indoor application

INSTALLATION LOCATIONS

- Behind an outlet
- Behind a switch

TECHNICAL INFORMATION

Series	WAV Smart Control™ Series
Input Voltage	100 –240 volt AC
Output Voltage	120 – 240 volt DC
Output Wattage	100 watts @ 120V DC for LED fixture 200W @ 120V DC for Incandescent and Halogen
Dimmable	By using wireless controller or smartphone app
IP Rating	20
Rating	cULus Recognized
Rated Life	30,000 hours
Mounting	Free placement behind wall outlet or wall switch
Operating Temperature	-4°F to 122°F (-20°C to 50°C)
Environment	Dry location
Construction Material	PC plastic
Warranty	3 years

*Compatible with Zigbee-enabled smart home hub products available from several manufacturers