

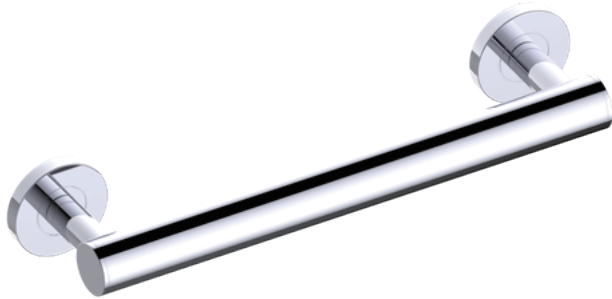
Grab Bar

- Zinc back plate
- Mounting kit included

PRODUCT SPECIFICATION SHEET

GRAB BAR SERIES

SYD-GB1-PC



FEATURES

- MODERN DESIGN
- CAST BACKINGS
- ZINC+STEEL COMPOSITION
- WALL MOUNTED

FINISHES IN STOCK

- POLISHED CHROME (PC)
- BRUSHED NICKEL (BN)

MATERIAL

- ZINC
- STAINLESS STEEL 304

WARRANTY

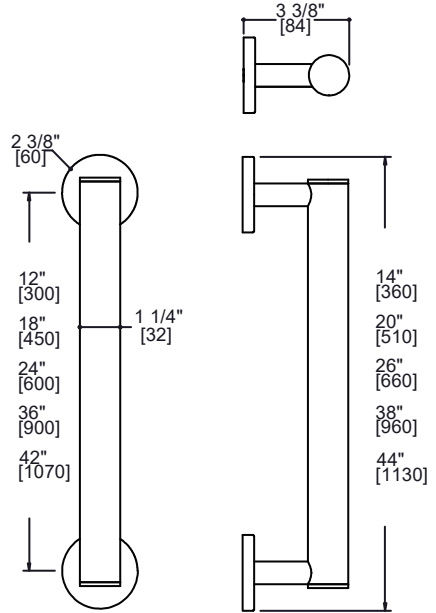
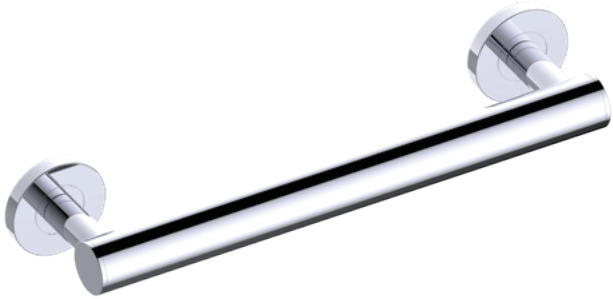
- LIFETIME LIMITED (RESIDENTIAL USE)
- ONE YEAR (COMMERCIAL USE)

Product Code	Name	Finishes	Sizes (mm)			Sizes (Inches)		
			Length	Width	Height	Length	Width	Height
SYD - GB1-12	Grab Bar	PC, BN	360	60	84	14	2 3/8	3 3/8
SYD - GB1-18	Grab Bar	PC, BN	510	60	84	20	2 3/8	3 3/8
SYD - GB1-24	Grab Bar	PC, BN	660	60	84	26	2 3/8	3 3/8
SYD - GB1-36	Grab Bar	PC, BN	960	60	84	38	2 3/8	3 3/8
SYD - GB1-42	Grab Bar	PC, BN	1130	60	84	44	2 3/8	3 3/8
SYD - GB2-12	Grab Bar	PC, BN	360	60	84	14	2 3/8	3 3/8
SYD - GB2-18	Grab Bar	PC, BN	510	60	84	20	2 3/8	3 3/8
SYD - GB2-24	Grab Bar	PC, BN	660	60	84	26	2 3/8	3 3/8
SYD - GB2-36	Grab Bar	PC, BN	960	60	84	38	2 3/8	3 3/8
SYD - GB2-42	Grab Bar	PC, BN	1130	60	84	44	2 3/8	3 3/8
SYD - GB3-12	Grab Bar	PC, BN	362	62	84	14	2 1/2	3 3/8
SYD - GB3-18	Grab Bar	PC, BN	512	62	84	20	2 1/2	3 3/8
SYD - GB3-24	Grab Bar	PC, BN	662	62	84	26	2 1/2	3 3/8
SYD - GB3-36	Grab Bar	PC, BN	962	62	84	38	2 1/2	3 3/8
SYD - GB3-42	Grab Bar	PC, BN	1132	62	84	44	2 1/2	3 3/8
SYD - GB4-12	Grab Bar	PC, BN	360	60	84	14	2 3/8	3 3/8
SYD - GB4-18	Grab Bar	PC, BN	510	60	84	20	2 3/8	3 3/8
SYD - GB4-24	Grab Bar	PC, BN	660	60	84	26	2 3/8	3 3/8
SYD - GB4-36	Grab Bar	PC, BN	960	60	84	38	2 3/8	3 3/8
SYD - GB4-42	Grab Bar	PC, BN	1130	60	84	44	2 3/8	3 3/8
SYD - GB5-12	Grab Bar	PC, BN	360	60	84	14	2 3/8	3 3/8
SYD - GB5-18	Grab Bar	PC, BN	510	60	84	20	2 3/8	3 3/8
SYD - GB5-24	Grab Bar	PC, BN	660	60	84	26	2 3/8	3 3/8
SYD - GB5-36	Grab Bar	PC, BN	960	60	84	38	2 3/8	3 3/8
SYD - GB5-42	Grab Bar	PC, BN	1130	60	84	44	2 3/8	3 3/8

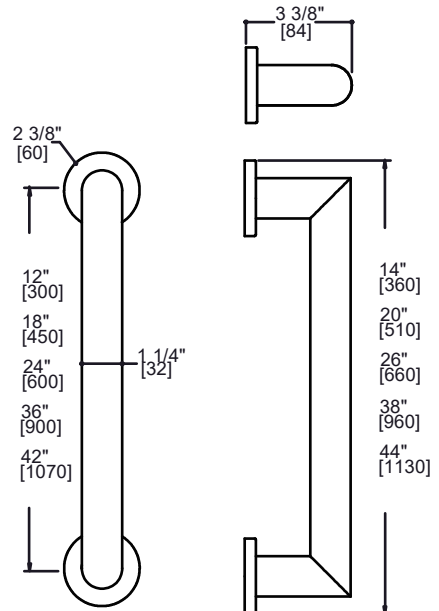
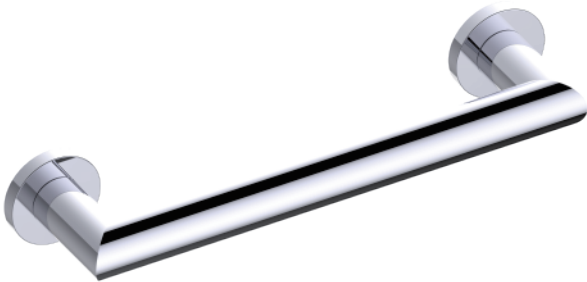
Grab Bar

- Zinc back plate
- Mounting kit included

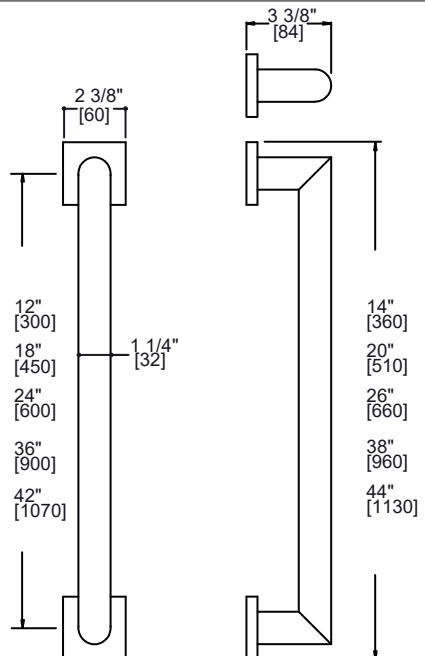
Grab Bar 12"/18"/24"/36"/42"
SYD-GB1-12/18/24/36/42-PC



Grab Bar 12"/18"/24"/36"/42"
SYD-GB2-12/18/24/36/42-PC



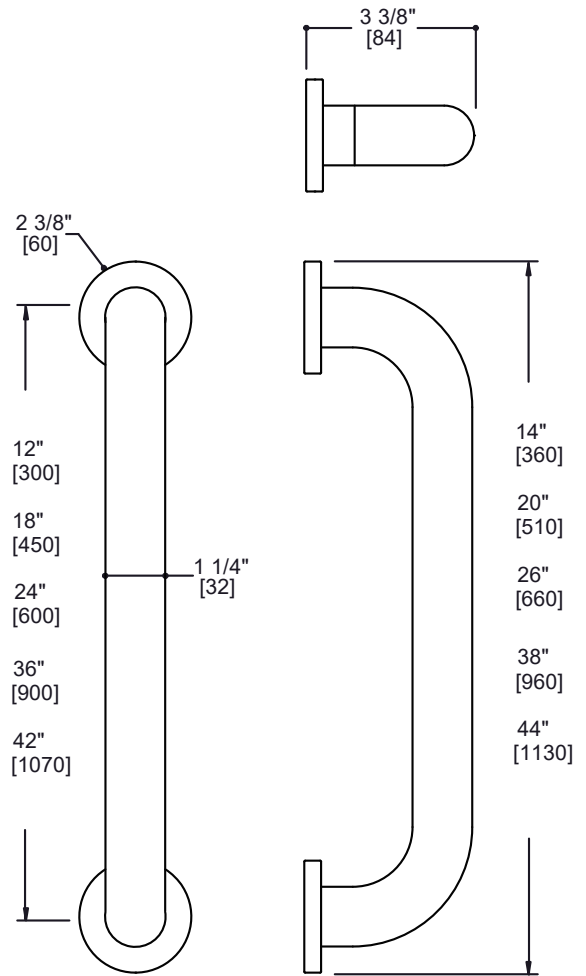
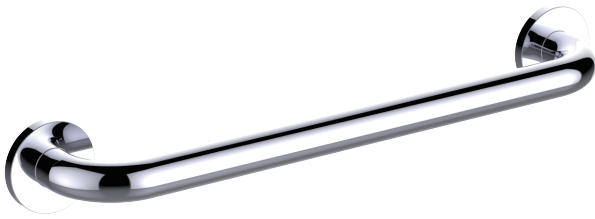
Grab Bar 12"/18"/24"/36"/42"
SYD-GB3-12/18/24/36/42-PC



Grab Bar

- Zinc back plate
- Mounting kit included

Grab Bar 12"/18"/24"/36"/42"
SYD-GB4-12/18/24/36/42-PC



Grab Bar 12"/18"/24"/36"/42"
SYD-GB5-12/18/24/36/42-PC

