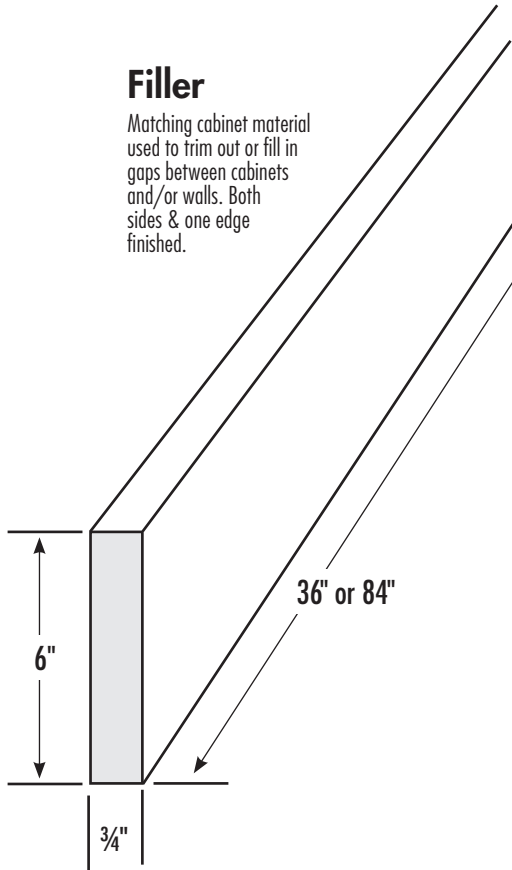




Filler

Matching cabinet material used to trim out or fill in gaps between cabinets and/or walls. Both sides & one edge finished.



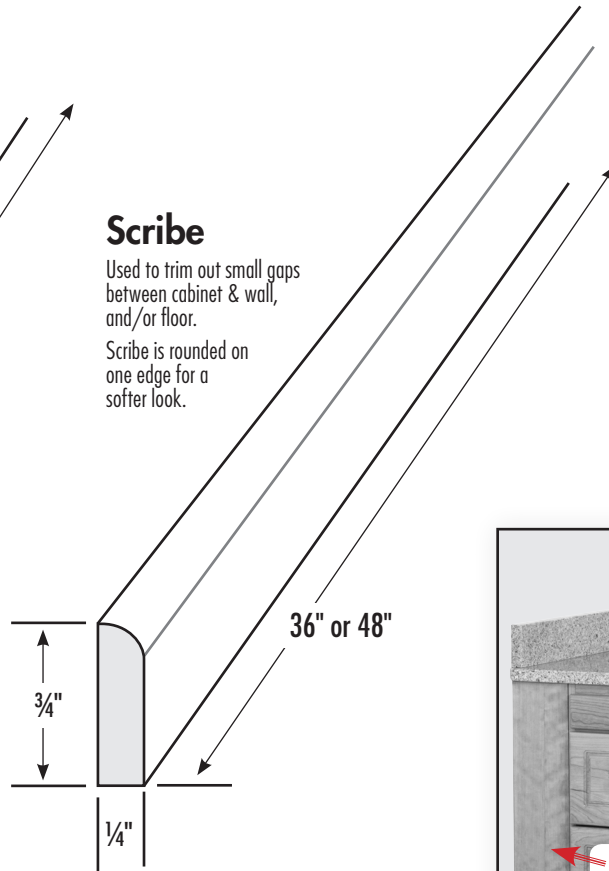
Drawings not to scale

Filler 36" or 84" Lengths

3/4" thick
6" wide

Scribe

Used to trim out small gaps between cabinet & wall, and/or floor. Scribe is rounded on one edge for a softer look.

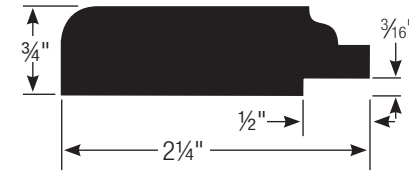


Scribe 36" or 48" Lengths

1/4" thick
3/4" wide

Molding Strips

Three profiles to match our framed doors and mirrors



These dimensions apply to all three molding profiles.



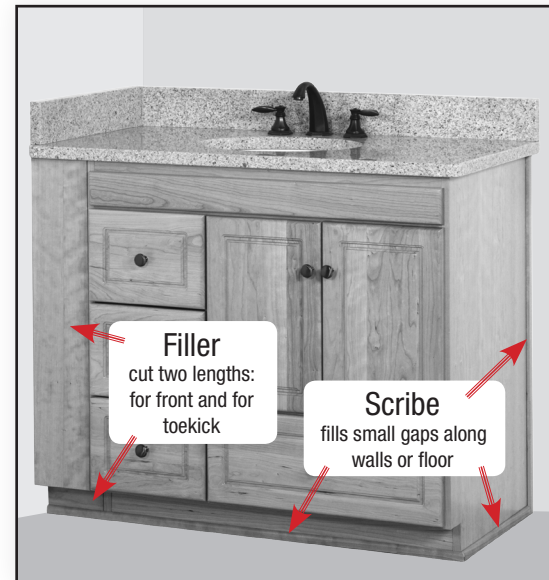
Rounded
72" strips



Square
72" strips



Miter
72" strips



Cut Filler or Scribe to length and secure in place with adhesive or fasteners of your choice.

Fillers are commonly ripped (cut) to the width desired by installer. Note that the space to fill may be wider or narrower at the top than at the bottom and requires a cut to fit.

