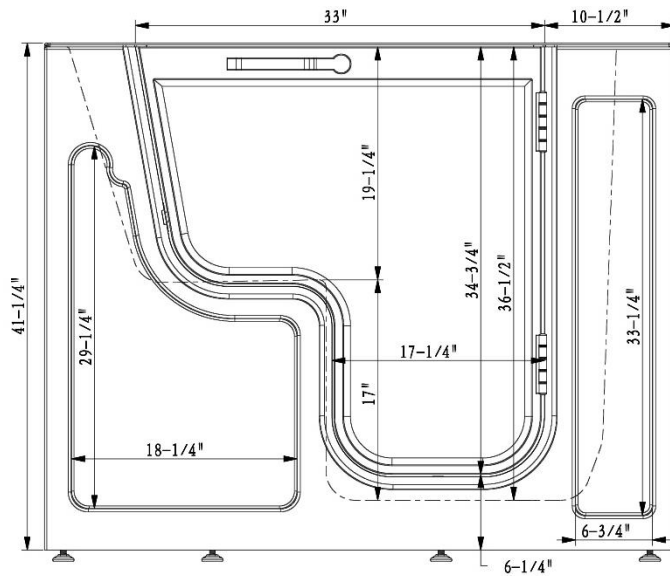


# Walk In Tub

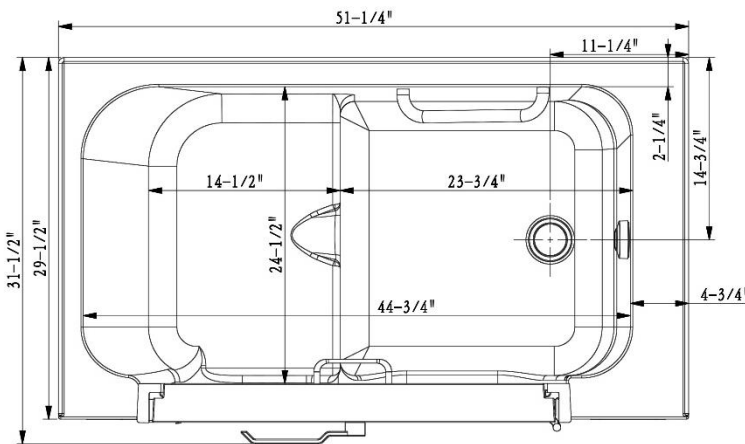
## OHT 5129 Easy Access Out Swing Door



Right Hand Shown



Front View



Top View

## GENERAL SPECIFICATIONS

Dimensions .....51¼"×31½"×41¼"  
 Weight .....260 lbs.  
 Unoccupied capacity .....90-95 gallons

### Features:

#### PVC Drain

- Size - 2"
- Horizontal or Vertical
- Plunger with Chain

#### Door

- Opening Width - 33"
- Door Opening Clearance Height – 22 ¼"
- Patented Door System Technology
- Aluminum Door and Frame

#### Acrylic Shell

- White Textured Acrylic
- White Smooth Acrylic
- Non-skid Floor
- ADA Height Seat
- Acrylic Surface with Fiberglass Substrate
- Two Grab Bars
- Stainless Steel Frame
- Front Deck for Faucet Locations

#### Options

- Left or Right Hand Drain
- Water Jetting System
- Micro-bubbles System
- Loaded Jetted Package

#### Accessories

- Tub Extension Panel Kit
- Back Wall Extension Panel Kit
- End Panel Kit

### Compliance Certifications - Meets or Exceeds the Following Specifications:

- cETL - Intertek
- cUPC / USPC - IAPMO
- ANSI Z 124.1.2 - for Plastic Bathtubs
- ASME A 112.19.7 - Whirlpool Appliances
- ASME A 122.19.15 - for Walk In Bathtubs
- CSA B45.4 - Canadian Plumbing Fixtures

MAX. FUSE AMPS OR MAX. CIRCUIT BREAKER 20 AMPS

Before ordering or installing, consider future access to essential equipment.

In an effort to continually improve our product, specifications and configurations are subject to change without notice.