

# *Walk-In Bathtub Wall Extension Owner's Manual With Installation Instructions*

---

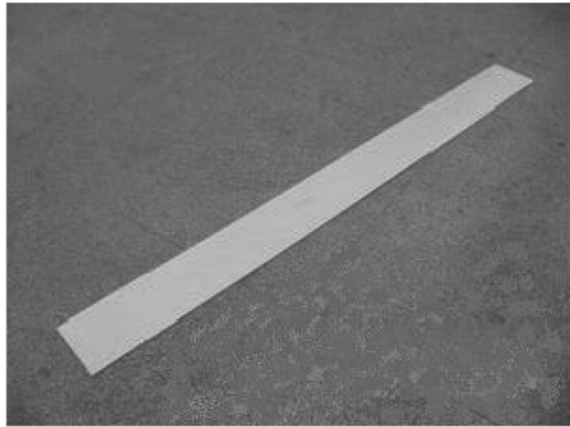
# Back Wall Extension

---

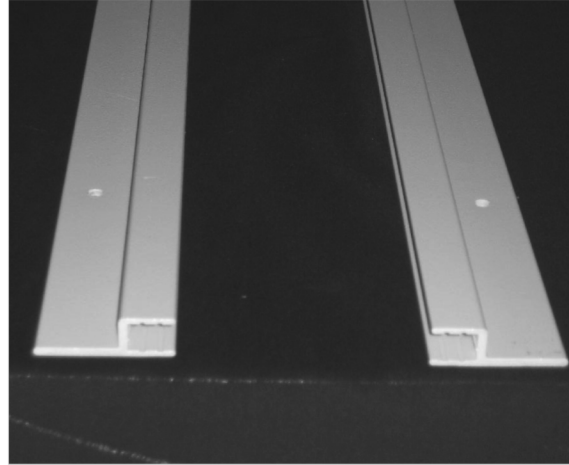
**IMPORTANT:** Read this manual before installing this product. There is important product safety information in this manual, so please be sure to read it thoroughly.

- Before ordering or installing, consider future access to essential equipment.
- In an effort to continually improve our product, specifications and configurations are subject to change without notice.

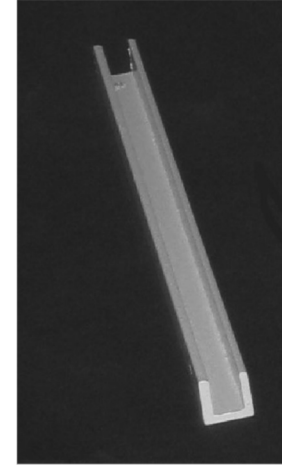
# Parts



Back Wall Filler



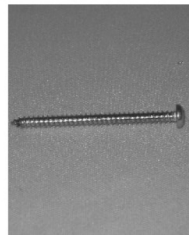
Tub & Wall Rail



Tub Filler Rail



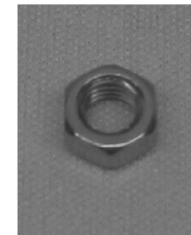
Short Screw



Long Screw



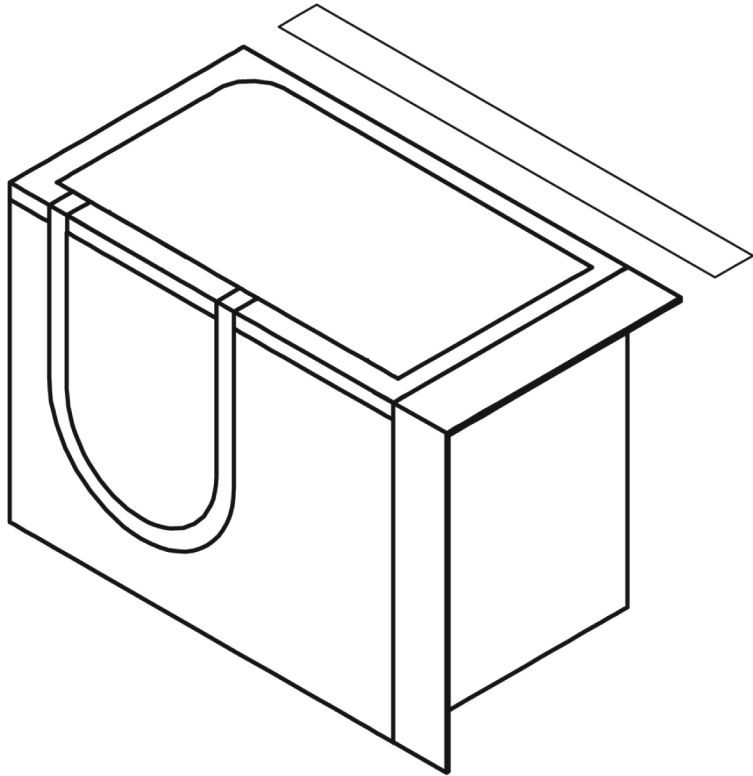
Bolt



Nut

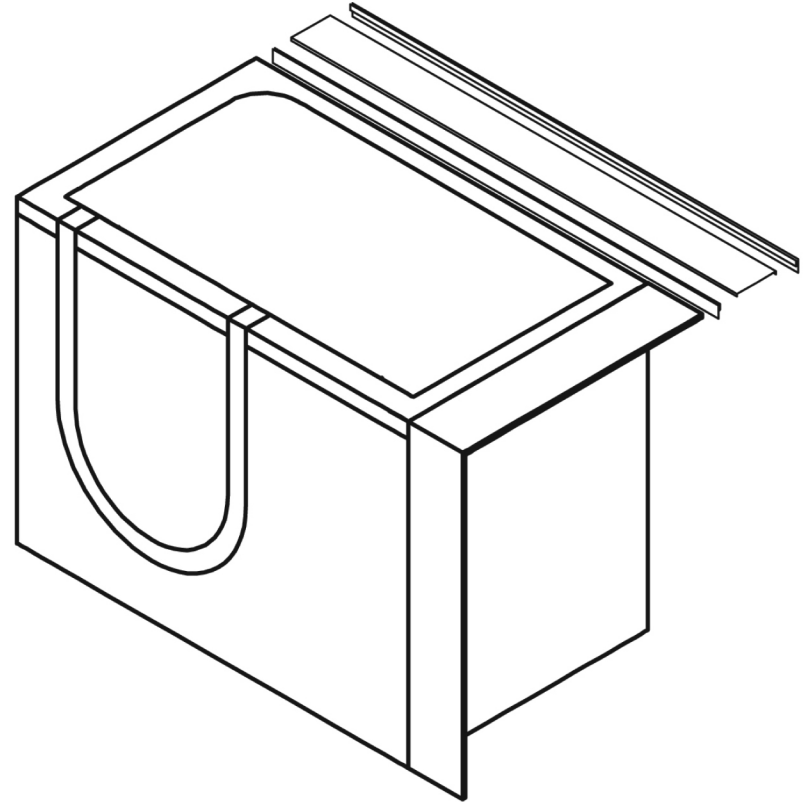
**Note:** Some of the parts shown may not be required for installation.

1



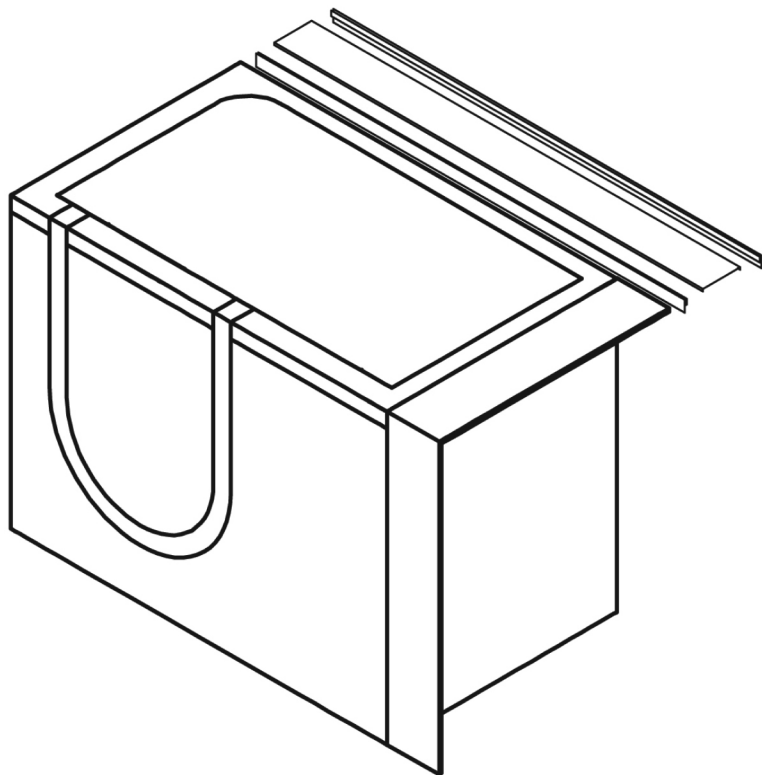
- Identify all parts.
- Determine location of back wall filler panel.

2



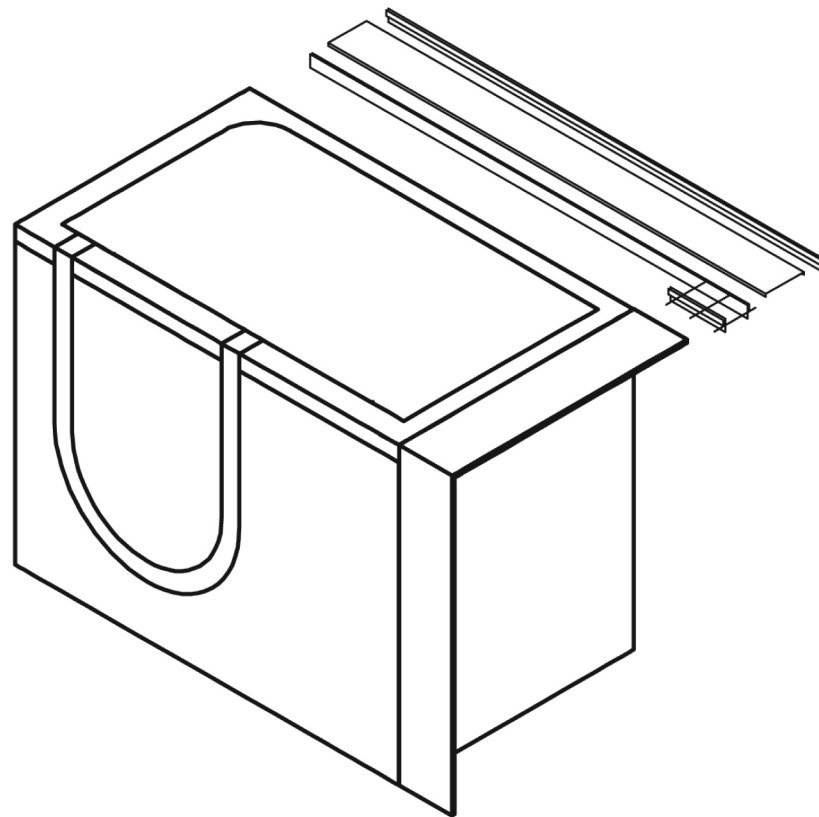
- Install tub rail to tub with short screws.

3



- Install wall rail to wall with long screws.

4



- Install tub filler rail to tub rail with bolt & nut.