

**CODE NUMBER**

4020130

**DESCRIPTION**

Polished Chrome Finish, Act-O-Matic® Standard with Thumb Screw Volume Control Showerhead.

**DETAILS**

- Finish: Polished Chrome (CP)
- Flow Rate: 2.0 gpm (8 Lpm) (2.0GPM)
- Self-Cleaning: Yes

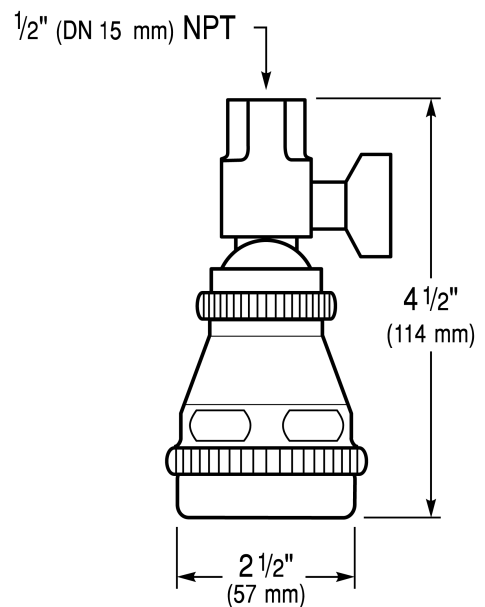
**FEATURES**

Act-O-Matic, Chrome Plated Shower Head with the following features:

- Spring loaded, Self-cleaning Spray Disk to prevent particle clogging
  - “Cone-within-a-cone” Spray Pattern for total body coverage
  - Saves up to 20% or more water depending on length of shower
  - Pressure Compensating 2.0 gpm (7.5 Lpm) Flow Control
  - All Brass Construction
  - Universal Ball Joint with Thumb Screw Volume Control
  - 1/2” I.P.S. Inlet
  - Personal shower heads - with fingertip water adjustment control
- Shower Head shall be in conformance to all requirements of ANSI/ASME Standard A112.18.1M, CSA B-125 and the United States Federal Energy Policy Act.
- Fast drain feature to prevent residual slow dripping

**DOWNLOADS**

- [Showerhead Parts and Accessories Repair and Maintenance Guide](#)
- [Additional Downloads](#)



**COMPLIANCES & CERTIFICATIONS**



(cUPC Certified, BAA Compliant, CEC Compliant, CalGreen Compliant, Satisfies LEED Credits, WaterSense Listed)

**RECOMMENDED SPECIFICATION**

Sloan Act-O-Matic Showerhead model no. AC-11 2.0 gpm. Chrome Plated.

**NOTES**

All information contained within this document subject to change without notice.

**Sloan 10500 Seymour Ave, Franklin Park, IL 60131**

Phone: 800.982.5839 • Fax: 800.447.8329 • [sloan.com](http://sloan.com)