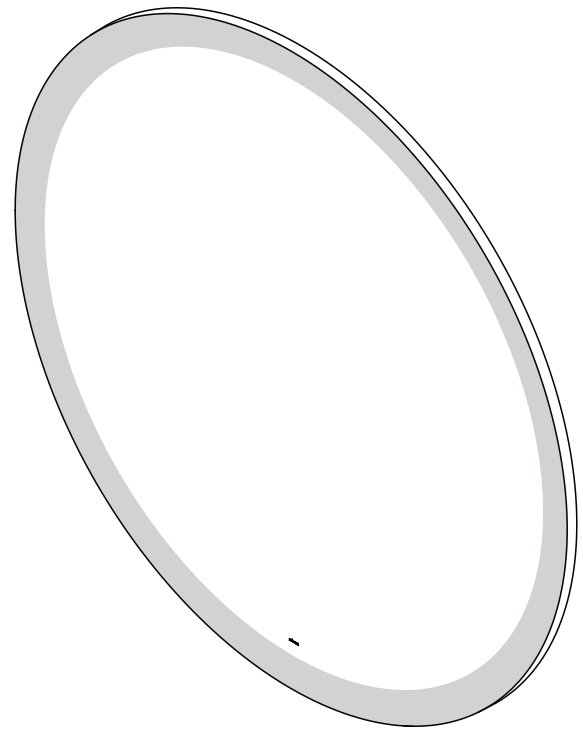


Features

- Includes mirror defogging
- Dimmable LED task lighting to 1%
- Compatible with most Triac/Phase-cut dimmers
- Energy efficient LED lighting:

Kelvin	2700
CRI	90+
Lumens* (Approx)	1480
Lux* (Approx)	280
R9 Value*	50+
Foot-candles* (Approx)	27
Watt Output - LED	55w max
Watt Output - LED with defogger on	85w max

* Measured at 18" from center of the mirror



Construction

- Anodized aluminum back frame
- Quality polished edge mirror
- Power cords installed for easy plugin installation
- Constructed for surface mounting
- Includes installation hardware

Codes/Standards Applicable

Vitality Mirror is UL certified to:

- UL 962
- CSA-C22.2, No. 12-82

Dimensions

Diameter: 40" (1016 mm)

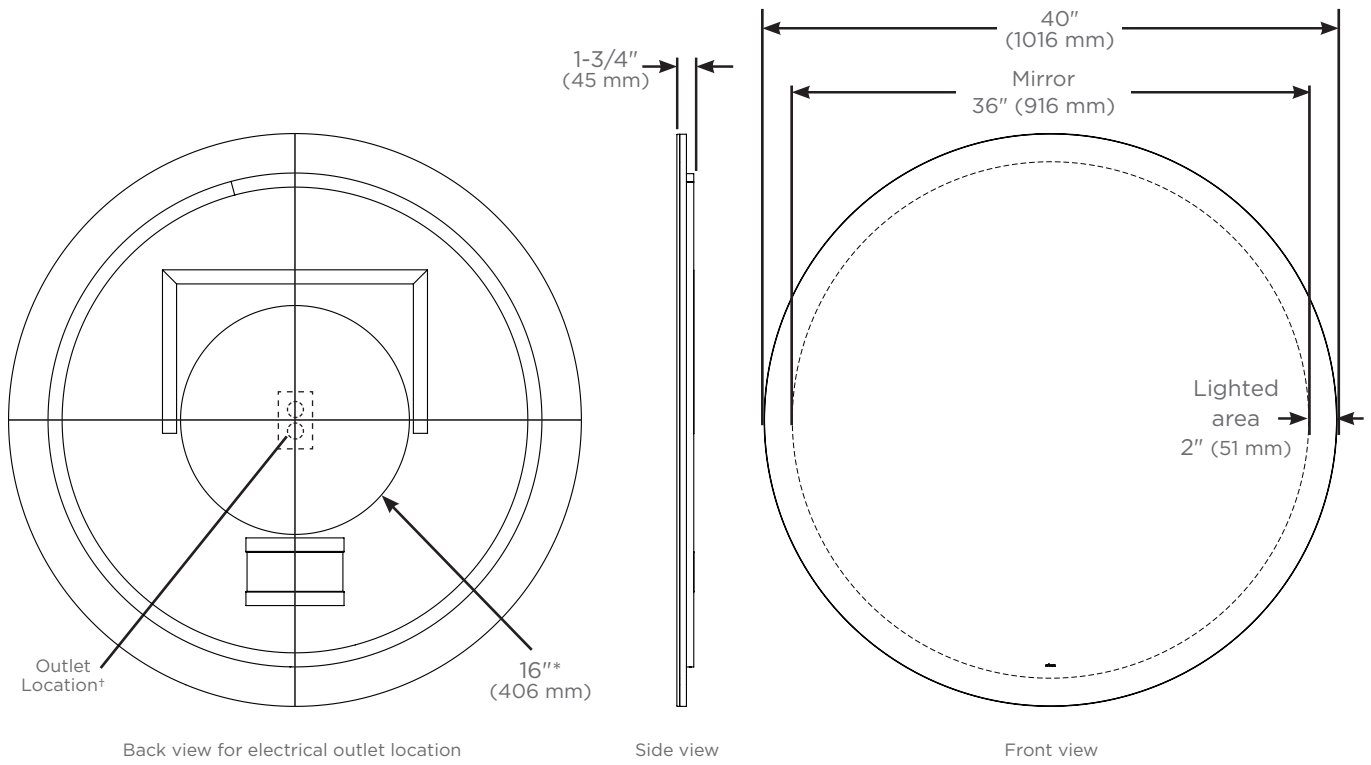
Depth: 1-3/4" (45 mm)

Electrical System

- 120 Vac 60Hz wall outlet as shown in drawing

Model Number Key

<u>Vitality</u>	<u>Mirror</u>	<u>Diameter</u>	<u>Shape</u>	<u>Light Pattern</u>	<u>Edge Type</u>	<u>Options</u>	<u>Color Temp</u>
Y	M	0040	C = Circle	P = Perimeter	FP = Flat, Polished	D = Defogger	3 = 2700K



* Defogger Size

† See instructions for wiring and location