

- LG40-FE0BG Finish(BG)
- LG40-FE0C Finish(C)
- LG40-FE0D Finish(D)
- LG40-FE0K Finish(K)
- LG40-FE0Y Finish(Y)

### Specifications

#### Features

- 1.2 GPM Flow Rate
- All Metal Construction
- Quick Connect Installation
- Grid Strainer without Overflow Available, Order 972-103 (Sold Separately)
- Grid Strainer with Overflow Available, Order 972-104 (Sold Separately)
- No Drain Included
- Pfast Connect™
- Pforever Seal™ Ceramic Disc Valve
- Limited Lifetime Warranty

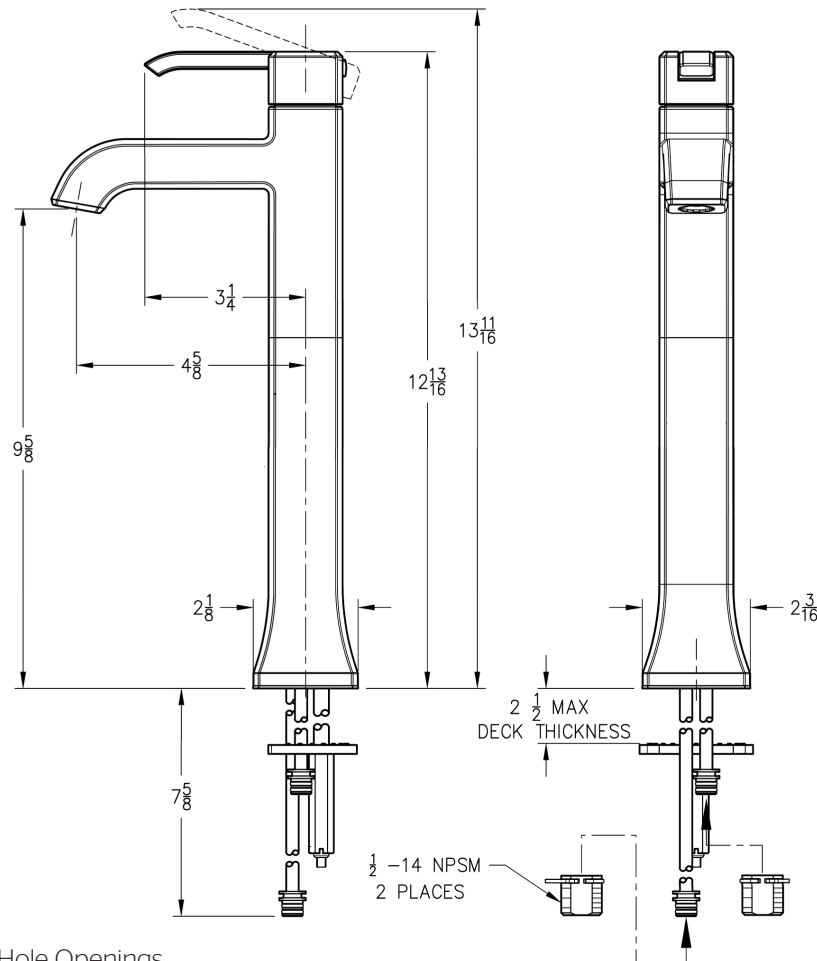
#### Code Compliance

Pfister products are designed and manufactured in compliance with the following standards and codes:

- IAPMO Certified to ASME A112.18.1/CSA B125.1
- NSF/ANSI/CAN61:Q≤1
- CEC Certified/CALGreen compliant
- EPA WaterSense Certified
- ADA Compliant - ANSI A117.1 (Lever Handle Only)



### Dimensions



Ø1 Min to Ø1-1/2 Max. Deck Hole Openings