

**Specification Submittal Data / Panasonic Ventilation Fan/Heater**

**Description:**

Ventilating fan/heater shall be low noise ceiling mount type rated for continuous run. Fan/heater shall be certified by the Home Ventilating Institute (HVI). Heating elements shall be included. Evaluated by Underwriters Laboratories and conform to both UL and cUL safety standards. Fan/heater is not intended for installation over a tub/shower enclosure.

**Motor/Blower:**

- Enclosed brushless ECM motor technology rated for continuous run.
- Fan ventilation rates shall be manually adjustable for 50-80-110 CFM.
- Power rating shall be 120 volts and 60 Hz.
- Motor equipped with thermal-cutoff fuse.
- Removable with permanently lubricated plug-in motor.
- Minimum 20 Amp dedicated circuit required.

**Housing:**

- 26 gauge Zinc-Aluminum-Magnesium (ZAM) housing.
- Integrated dual 4" or 6" diameter duct adapter.
- Built-in back draft damper.
- Built-in metal flange provides blocking for penetrations through drywall as an Air Barrier, and assists with the decrease in leakage in the building envelope during blower door testing.
- Building Envelope during blower door testing.
- Suitable for installation in ceilings insulated up to R60.
- Articulating and expandable installation bracket up to 24".

**Grille:**

- Attractive design using Poly Pro material.
- Attaches directly to housing with torsion springs.
- Circulation grille with built-in diffuser for higher output velocity and directional heat throw.

**Heater:**

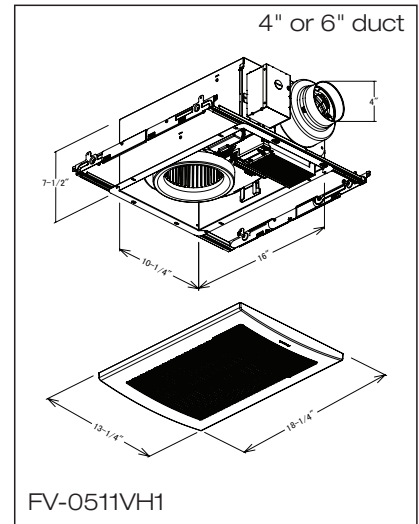
- 1600W Positive Temperature Coefficient (PTC) heater for greater safety and reliability.
- Heater is self-limiting. As it approaches designed operating temperature, the electrical consumption automatically decreases, which prevents overheating.

**Warranty:**

- 6 years ECM Motor, 5 years LED, 3 years all other parts.

**Architectural Specifications:**

Ventilation fan/heater combination shall be ceiling mount, with built-in speed selector. Select from 50/80/110 CFM and no more than <0.3/<0.3/0.7 sone as certified by the Home Ventilating Institute (HVI) at 0.1 static pressure in inches water gauge (w.g.), with 51/82/112 CFM and no more than 0.8/1.0/1.5 sone as certified by HVI at 0.25 w.g., and no less than 53/82/110 CFM at 0.375 w.g. Power Consumption shall be no greater than 4.7/7.7/12 watts at 0.1 w.g., 8.6/13.3/19.0 watts at 0.25 w.g., and 12.3/18.2/26.0 watts at 0.375 w.g. Energy efficiency shall be no less than 10.6/10.4/9.2 CFM/watt at 0.1 w.g. 5.9/6.2/5.9 CFM/watt at 0.25, and 4.3/4.5/4.0 CFM/Watt at 0.375 w.g. Power rating shall be 120v/60Hz. Minimum 20 Amp dedicated circuit required. Duct diameter shall be inclusive of an integrated dual 4" or 6" duct adapter. Also suitable for installation in ceilings insulated up to R60. Fan/heater is not intended for installation over a



tub/shower enclosure. Fan/heater can be used to comply with ASHRAE 62.2. Heating element power consumption shall be no less than 1600 watts. Fan/Heater shall also include a circulation grille that incorporates a diffuser for higher output velocity and directional heat throw.



**ECM Motor Technology:**

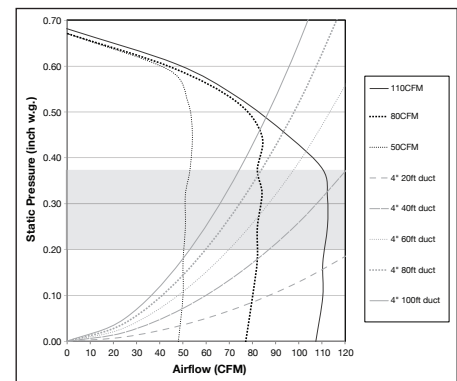
When the fan senses static pressure, its speed is automatically increased to ensure that the desired CFM is not compromised, which allows the fan to perform as rated.

Specifications: <b>WhisperWarm DC FV-0511VH1</b>		4"			4"			4"		
Characteristics (HVI tested data with 4" Duct)	Static Pressure in inches w.g.	0.1	0.25	0.375	0.1	0.25	0.375	0.1	0.25	0.375
	Air Volume (CFM)	110	112	110	80	82	82	50	51	53
	Noise (sones)	0.7	1.5	-	<0.3	1.0	-	<0.3	0.8	-
	Power Consumption (watts)	12	19.0	26.0	7.7	13.3	18.2	4.7	8.6	12.3
	Energy Efficiency (CFM/Watt)	9.2	5.9	4	10.4	6.2	4.5	10.6	5.9	4.3
	Speed (RPM)	861	1090	1249	736	1008	1173	638	930	1112
	Current (amps)	0.24	0.37	0.49	0.16	0.26	0.35	0.10	0.18	0.25
	MAX. Current (amps)	0.50								
	Power Rating (V/Hz)	120/60								
	Motor Type	ECM								
	ENERGY STAR rated	N/A - No ESTAR category for fan/heater								

\*Industry research indicates static pressure in typical installations ranges from 0.20" to 0.375".

\*\* HVI testing and certification based on 4" duct.

**Performance Curve 4" Duct**



For complete Installation Instructions visit [us.panasonic.com/ventfans](http://us.panasonic.com/ventfans)

Model	Quantity	Comments	Project:
			Location:
			Architect:
			Engineer:
			Contractor:
			Submitted by:
			Date:

