

AYLESBURY

Double Robe Hook

34-13

Features

- Solid brass construction
- Complements Aylesbury product series

Codes / Standards Compliance

Meets or exceeds the following at date of manufacture:

- All applicable US Federal and State material regulations

Colors / Finishes

- 10B: Oil Rubbed Bronze
 - 15: Polished Nickel
 - 15S: Satin Nickel - PVD
 - 26: Polished Chrome
- Other: Refer to the Newport Brass catalog for additional color/finish options.



Specified Model

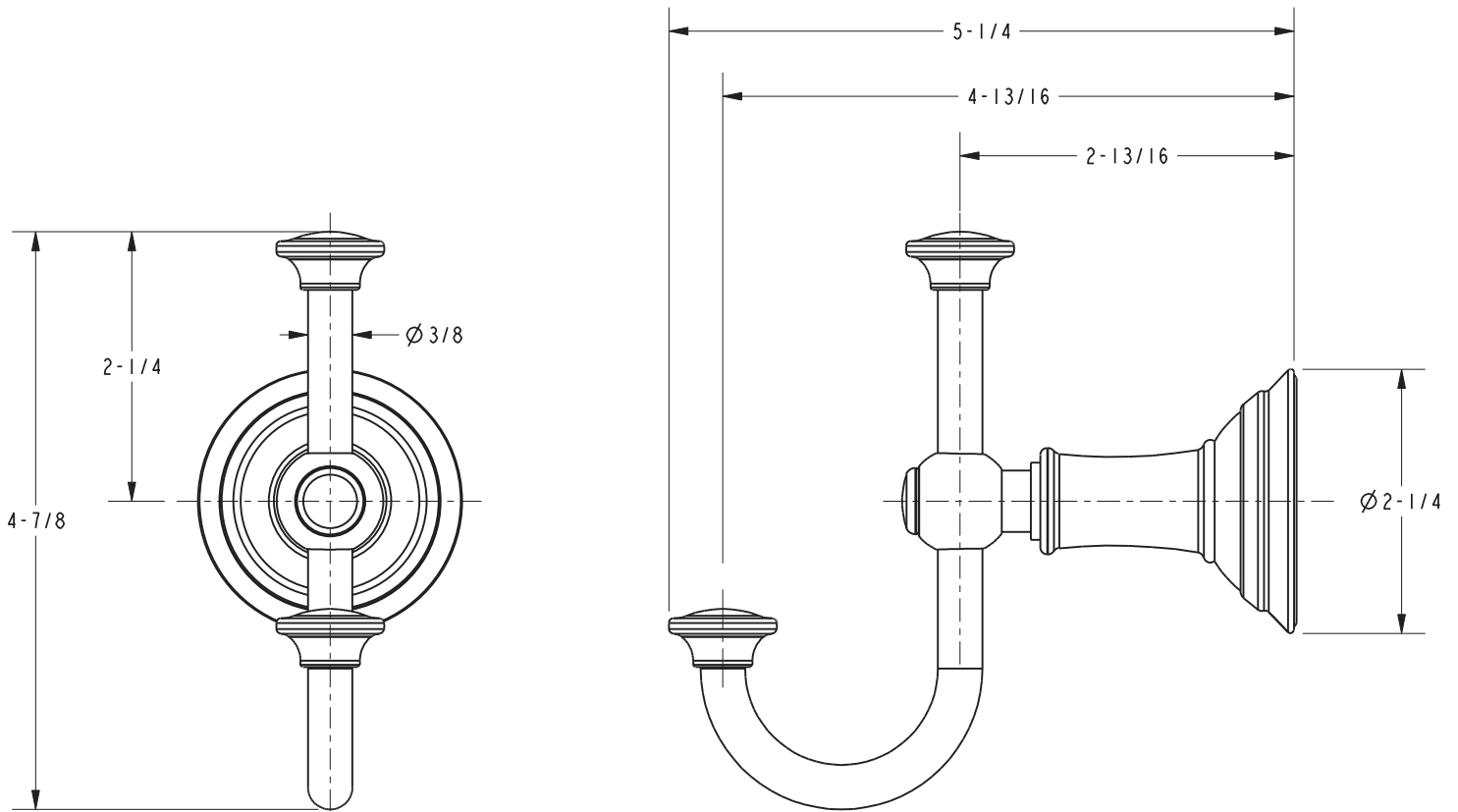
Model	Description	Colors Finishes
34-13	Double Robe Hook	<input type="checkbox"/> 10B <input type="checkbox"/> 15 <input type="checkbox"/> 15S <input type="checkbox"/> 26 <input type="checkbox"/> Other

Product Specification: Add size designator and "Color / Finish" suffix to Model number, below.

The Double Robe Hook shall be made of solid brass construction. Double Robe Hook shall complement Newport Brass Aylesbury product series. Double Robe Hook shall be Newport Brass Model 34-13/____.

34-13

PRODUCT DIMENSIONS *(Units are in inches)*



Aylesbury Double Robe Hook
34-13