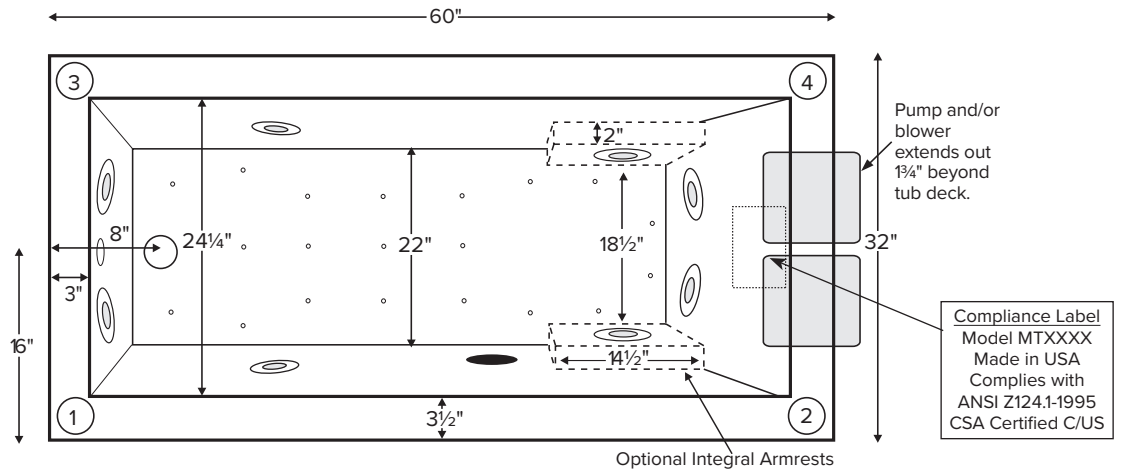


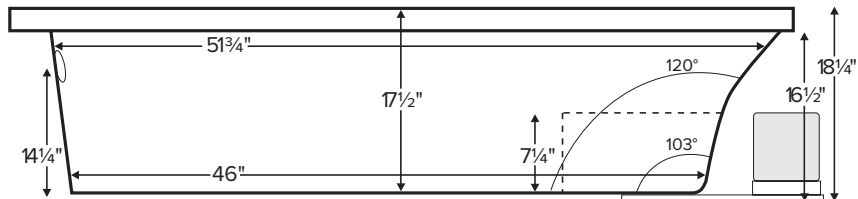
Designer Collection Tubs

Andrea® 6

MODEL 96		
60" x 32" x 18.25"		
DROP-IN or UNDERMOUNT 57 gal to overflow		
Acrylic CXL®		DoloMatte®
75 lbs / 34 kg	<SOAKER>	84 lbs / 38 kg
100 lbs / 45 kg	<PLUMBED>	113 lbs / 51 kg
Filling this tub to the maximum may require an above average size or dedicated water heater.		



Numbered areas on tub deck represent possible locations to install cleaning systems, faucets and other fixtures.
Pump extends out approximately 1 3/4" beyond tub deck.
 Shown with Air Massage and Ultra Whirlpool Package.



IMPORTANT:
 Air baths and tubs with a pre-leveled foam base or frame system add 2-3" to overall tub height.

IMPORTANT ORDERING & INSTALLATION INFORMATION

- Before ordering or installing, please consider future access to equipment.
- Add proper bedding compound to fully level and support bottom of tub.
- When equipped with an air bath package, pre-leveled foam base or frame system, overall tub height is increased by approx. 2-3" and is designed to install on a flat, level subfloor.
- Radiance placed on airbath floor will affect placement of air jets.
- System components may extend beyond the perimeter of deck.
- Please measure tub **on-site** before building tub decking.
- Advise MTI when planning to use a glass enclosure. Relocation of controls may be necessary.
- Suction and control locations may vary.
- All tubs are compliant with ASTM C 1028-07 coefficient of friction. DoloMatte meets ANSI A137.1/ A326.3 coefficient of friction and AS HB198:2014 slip tests.

ELECTRICAL COMPONENTS & SPECIFICATIONS

Hydrotherapy Package	Components Included	GFCI / 110V
Standard Whirlpool	2-bhp pump	1-15 amp
Stream Bath	1/2-bhp, ozone	1-20 amp
Microbubbles	Microbubbles pump	1-15 amp
Ultra Whirlpool	2-bhp pump, inline heater, ozone	2-15 amp
Air Massage	heated blower	1-15 amp
Air Massage Elite	heated blower, chromatherapy	1-15 amp
Air Massage w/ Stream Bath	1/2-bhp pump, heated blower, ozone	1-20 amp
Air Massage Elite w/ Stream Bath	1/2-bhp pump, heated blower, chromatherapy, ozone	1-20 amp

Electrical requirements may change with the addition of optional therapy components. See specific option details or installation information. CSA Certified C/US; B45.5/IAPMO ANSI Z124.1 and ANSI 112.19.7

Hydrotherapy Package	Components Included	GFCI / 110V
Microbubbles with Air	Microbubbles pump, heated blower	1-20 amp
Microbubbles with Air Elite	Microbubbles pump, heated blower, chromatherapy	2-15 amp
Air with Whirlpool	2-bhp pump, heated blower	2-15 amp
Air with Ultra Whirlpool	2-bhp pump, inline heater, heated blower, ozone	2-20 amp
Air Elite with Whirlpool	2-bhp pump, heated blower, chromatherapy	2-15 amp
Air Elite with Ultra Whirlpool	2-bhp pump, inline heater, heated blower, chromatherapy, ozone	2-20 amp

See the Installation & Operation Manual for more details. MTI's Customer Service Monday-Friday 8am-6pm EST 800-783-8827 or service@mtibaths.com

- Before discarding tub crate, check for accessories that may be packaged inside.
- All product measurements are ±1/2".
- Specifications and configurations are subject to change without notice.
- Measurements herein supersede all others published prior to publication date below.



- Aromatherapy is eliminated for undermount applications
- Air Baths, Pre-Leveled Foam Base or Frame Systems increase overall height by 2-3".

Andrea® 6
 MODEL 96
 60" x 32" x 18.25"

Hydrotherapy Packages	Package Contents	Acrylic CXL®		DoloMatte®	
		Part #	MSRP	Part #	MSRP
Soaker	Soaking bath - no jets	S96-DI	\$2,590	S96DM-DI	\$3,130
		S96-UM		S96DM-UM	
Stream Bath	6 side vents, 2 end vents, 1/2 bhp pump, Ozone	SM96-DI	\$4,880	SM96DM-DI	\$5,420
		SM96-UM		SM96DM-UM	
Microbubbles	1 microbubbles infusion port and pump	M96-DI	\$5,580	M96DM-DI	\$6,120
		M96-UM		M96DM-UM	
Air Massage	20 air jets, heated air blower, Aromatherapy, pre-leveled foam base	AST96-DI	\$5,875	AST96DM-DI	\$6,415
		AST96-UM		AST96DM-UM	
Air Massage Elite	30 air jets, heated air blower, Aromatherapy, Chromatherapy LED lighting, Spa Mode, pre-leveled foam base	AE96-DI	\$7,585	AE96DM-DI	\$8,125
		AE96-UM		AE96DM-UM	
Stream Bath with Air Massage	6 side vents, 2 end vents, 1/2 bhp pump, Ozone, 20 air jets, heated air blower, Aromatherapy, pre-leveled foam base	ASTSM96-DI	\$7,715	ASTSM96DM-DI	\$8,255
		ASTSM96-UM		ASTSM96DM-UM	
Stream Bath with Air Massage Elite	6 side vents, 2 end vents, 1/2 bhp pump, Ozone, 30 air jets, heated air blower, Aromatherapy, Chromatherapy LED lighting, Spa Mode, pre-leveled foam base	AESM96-DI	\$9,605	AESM96DM-DI	\$10,145
		AESM96-UM		AESM96DM-UM	
Microbubbles with Air Massage	1 microbubbles infusion port and pump, 20 air jets, heated air blower, Aromatherapy, pre-leveled foam base	ASTM96-DI	\$8,325	ASTM96DM-DI	\$8,865
		ASTM96-UM		ASTM96DM-UM	
Microbubbles with Air Massage Elite	1 microbubbles infusion port and pump, 30 air jets, heated air blower, Aromatherapy, Chromatherapy LED lighting, Spa Mode, pre-leveled foam base	AEM96-DI	\$9,945	AEM96DM-DI	\$10,485
		AEM96-UM		AEM96DM-UM	
Standard Whirlpool	6 point-massage jets, 2-bhp pump	P96-DI	\$4,720	P96DM-DI	\$5,260
		P96-UM		P96DM-UM	
Ultra Whirlpool	8 point-massage jets, 2-bhp pump, inline heater, Ozone	P96U-DI	\$6,515	P96UDM-DI	\$7,055
		P96U-UM		P96UDM-UM	
Air Massage with Standard Whirlpool	6 point-massage jets, 2-bhp pump, 20 air jets, heated air blower, Aromatherapy, pre-leveled foam base	AW96-DI	\$8,005	AW96DM-DI	\$8,545
		AW96-UM		AW96DM-UM	
Air Massage with Ultra Whirlpool	8 point-massage jets, 2-bhp pump, inline heater, 20 air jets, heated air blower, Aromatherapy, Ozone, pre-leveled foam base	AU96-DI	\$9,800	AU96DM-DI	\$10,340
		AU96-UM		AU96DM-UM	
Air Massage Elite with Standard Whirlpool	6 point-massage jets, 2-bhp pump, 30 air jets, heated air blower, Aromatherapy, Chromatherapy LED lighting, Spa Mode, pre-leveled foam base	AEAP96-DI	\$9,715	AEAP96DM-DI	\$10,255
		AEAP96-UM		AEAP96DM-UM	
Air Massage Elite with Ultra Whirlpool	8 point-massage jets, 2-bhp pump, inline heater, 30 air jets, heated air blower, Aromatherapy, Ozone, Chromatherapy LED lighting, Spa Mode, pre-leveled foam base	AEAP96U-DI	\$10,700	AEAP96UDM-DI	\$11,240
		AEAP96U-UM		AEAP96UDM-UM	

RECOMMENDED SENSORY THERAPIES

Chromatherapy

(LE) **\$800** underwater lighting
 2 LED lights included

Audiotherapy

(STEREOBT) **\$1,390** 2 transducers with bluetooth and amplifier
 (BTREMOTE) **\$600** bluetooth remote

(STEREOH202) **\$1,575** 4 transducers amplifier not included

Thermaltherapy

(RAD100) **\$1,595** Radiance®
 2 heated zones included
 (HTISOAK) **\$825**



For more information on options and accessories go to Acrylic Tub Options at mtibaths.com

Options <i>Must be ordered at time of purchase.</i>
Standard Colors White (CWH) DoloMatte available in matte white only. Biscuit (CBS) Not available for DoloMatte.
Quick Ship reduces lead time (QSPRI) \$430 <i>Please call for availability</i>
Inline Heater maintains water temperature For Soaker or Air Baths (HTISOAK) \$825 Includes a recirculating pump <i>Cannot be combined with Microbubbles.</i>
Virtual Spout high-flow integrated tub filler (FPMJ) \$450 <i>Virtual Spout location is left of the overflow, unless otherwise specified on order.</i>
Grab Bars from \$330 <i>Selections vary. Personalization available.</i>
Textured Bottom (TXTBTM) Acrylic CXL® only \$105 DoloMatte® exceeds ANSI A137.1/A326.3 and AS HB198 slip tests.
Low-Profile Rim - reduces rim height to 1" (LPR) \$265
Integral Armrests - 1 pair (INTARM) \$140 end drain tub models
Accessories
Pillows from \$180
Teak Bath Mat (TKMAT3018) \$815 <i>Custom sizes also available. Contact MTI for details and pricing.</i>
Teak Tub Tray Slatted (TK-TRAY1) \$500 Solid (TK-TRAY2) \$570
Teak Seat (TK-REMSEAT) \$660 For use with armrests only.

Hydrotherapy Equipment & Cleaning Systems <i>Must be ordered at time of purchase.</i>
Inline Heater maintains water temperature For Whirlpools or Stream Bath (HTI) \$570 Uses existing pump <i>Cannot be combined with Microbubbles.</i>
Whirlpool Cleaning Systems Fill-Flush (FFSO) \$590 Simple Touch (FFE) \$1,020 <i>Must specify stub-out location on order. See page 1 for location options.</i>
Whirlpool Jets Pump upgrade may be advisable for optimal performance when adding jets. Point-Massage Jet Extra Point-Massage Jet (EJ) \$315 Micro-Jet from \$360 <i>Jet styles and packages vary. Personalization available.</i>
Pump Upgrade - 3-bhp (PUMP3) \$315
Jet Trim Kits For Standard Whirlpool Chrome (TRC) \$270 , Brushed Nickel (TRBN) \$725 For Ultra Whirlpool Chrome (TRCU) \$370 , Brushed Nickel (TRBNU) \$960
Ozonator (OZONE) \$515 <i>Cannot be added to soakers or airbaths without combination hydrotherapy package or HTISOAK.</i>

Installation Options *Must be ordered at time of purchase.*

Pre-Leveled Foam Base (PLFOAM) \$295 All airbaths include a pre-leveled foam base.
Pre-Leveled Frame and Foam Base (PLF) \$740
Pre-Leveled Frame and Foam Base with Skirting (Acrylic CXL® tubs only) <i>For pricing and details go to mtibaths.com</i>

Tile Flange Factory-Installed on 3 sides - rigid ABS (TFK3) \$200 Field Install Kit - includes rigid ABS & adhesive (TFKNI) \$185 IMPORTANT: <i>Must specify flange location(s) on order of Factory-Installed Flange. Not available with optional Low-Profile Rim.</i>

Drains & Overflow Kits *Toe Tap Rectangular Overflow must be ordered at time of purchase*

Cable Driven Drain Finishes – PVC Drain Kit White/Biscuit (WOCDW) \$440 Chrome (WOCD) \$410 Brushed Nickel (WOCDBN) \$490 Polished Nickel (WOCDPN) \$540 Oil-Rubbed Bronze† (WOCDOR) \$550 Polished Brass (WOCDBR) \$690 Special Finishes* (WOCDSF) \$1,135 <i>MTI does not offer a brass body cable drain kit.</i>

Toe Tap Round Overflow – PVC Drain Kit Chrome (WOTTC) \$380 Brushed Nickel (WOTTBN) \$385 Polished Nickel (WOTTPN) \$385 Special Finishes* (WOTTSF) \$1,145 Round Overflow – Solid Brass Drain Chrome (WOTTSSBC) \$810 Brushed Nickel (WOTTSSBBN) \$810 Polished Nickel (WOTTSSBPN) \$810
--

Toe Tap Rectangular Overflow – PVC Drain Kit Chrome (WOTRC) \$470 Brushed Nickel (WOTRBN) \$430 White (WOTRW) \$525 Lift & Turn Drain Finishes – PVC Drain Kit Chrome (WOC) \$185 White (WOW) \$245 Brushed Nickel (WOBN) \$305
--

Slim-Line Overflow with Toe Tap Drain *Must be ordered at time of purchase.*

- Low profile overflow is factory installed
- Overflow measures 4.5" x 1"
- Provides a deeper soak
- Not available for commercial applications

Slim-Line Overflow with Toe Tap Drain PVC Drain Chrome (SLOTC) \$500 Brushed Nickel (SLOTBN) \$530 Polished Nickel (SLOTPN) \$555 White (SLOTW) \$430

Slim-Line Overflow with Toe Tap Drain Solid Brass Drain Chrome (SLOTSBC) \$930 Brushed Nickel (SLOTSBBN) \$935 Polished Nickel (SLOTSBPN) \$935 White (SLOTSBW) \$965

† MTI has selected an oil-rubbed bronze finish that is compatible with Delta and many other manufacturers. To ensure best match, order as a Special Finish and submit a sample.

* Allow 2-4 weeks lead time for Special Finishes. Send sample for best match.

