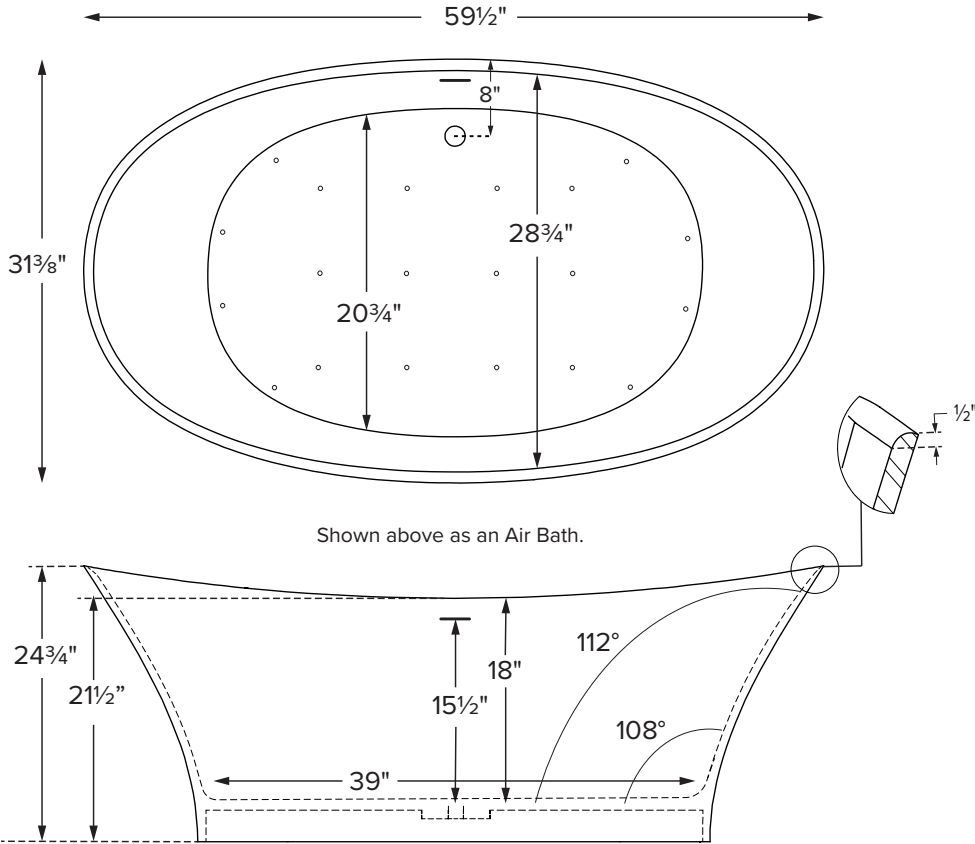


Mallory



Features an integrated overflow.

<b>MODEL 262</b>
<b>59.5" x 31.375" x 21.5"</b>
<b>FREESTANDING</b> 68 gal to overflow
<b>SculptureStone®</b>
222 lbs / 100 kg soaker 252 lbs / 114 kg airbath
Filling this tub to the maximum may require an above average size or dedicated water heater.



<b>ELECTRICAL COMPONENTS &amp; SPECIFICATIONS</b>		
<b>Required Electrical Service - 110 Volt</b>		
Hydrotherapy Package	Components Included	GFCI
<b>Air Massage</b>	heated blower	1-15 amp
Electrical requirements may change with the addition of optional therapy components. See specific option details or installation information. CSA Certified C/US; ANSI Z124.1 and ANSI 112.19.7 and ANSI 112.19.7		

- IMPORTANT ORDERING & INSTALLATION INFORMATION**
- Before ordering or installing, please consider future access to equipment.
  - Includes an integrated overflow with toe tap drain in chrome finish. May be specified without an overflow (see local codes before ordering without an overflow).
  - Air baths require job site preparation for remote installation of the blower and required check valve. Check valve must be installed higher than the rim of the tub.
  - Waterproof remote control included with air bath. Keypad shipped loose may be remote mounted on nearby surface/wall.
  - Faucet valves cannot be mounted on this tub model.

See the Installation & Operation Manual for more details.  
 MTI's Customer Service: Monday-Friday 8am-6pm EST  
**800-783-8827** or [service@mtibaths.com](mailto:service@mtibaths.com)

• Before discarding tub crate, check for accessories that may be packaged inside.  
 • All product measurements are ±1/2".  
 • Specifications and configurations are subject to change without notice.  
 • Measurements herein supersede all others published prior to publication date below.



For more information on options and accessories go to SculptureStone® Tubs Options on mtibaths.com

Mallory  
MODEL #: 262  
59.5" x 31.375" x 21.5"

- Blower & required check valve for airbath must be remote mounted.
- Check valve must be installed higher than the rim of the tub.
- See the Installation & Operation Manual for more details.

Hydrotherapy	Package Contents	Part #	MSRP
Soaker	Soaking bath - no jets. Includes an integrated slotted overflow with a toe-tap drain kit. • Overall tub height at the backrest is 24.75" and step in height is 21.5".	S262	\$8,200
Air Bath	20 air jets, heated air blower, keypad, waterproof remote control, integrated slotted overflow with a toe-tap drain kit. • Overall tub height at the backrest is 24.75" and step in height is 21.5".	AST262	\$13,320

**Options** *Must be ordered at time of purchase*

**Quick Ship** (QSPRI2) **\$1,025** reduces lead time  
*Please call for availability*

**Standard Color** White, matte finish  
**Biscuit Color Upgrade** (SSBI) **\$310** matte finish  
*Additional material colors available for projects only. Please call MTI.*

**Hand-Polished Deep Gloss Finish** (SSGLOSS) **\$1,085** upcharge  
For white or biscuit

**Exterior Color** **\$1,760** (SSCOLTG) Gloss Finish (SSCOLTM) Matte Finish  
Must specify color code:  
Sapphire Blue (SB), Blue Lagoon (BL), Terracotta (TC),  
Onyx (OX), Stratus Gray (TG), Stormgray (SG)  
*Adds 20 business days to standard lead time*

**Accessories**

**Teak Bath Mat** (TKMAT3018) **\$815** Measures 30" x 17.5" x 1"  
*Custom sizes also available. Contact MTI for details.*

**Floor-Mounted High-Flow Tub Filler**  
Contemporary  
Chrome (FILLC) **\$1,480**  
Brushed Nickel (FILLBN) **\$1,710**

**SculptureStone® Tub Tray**  
Without Stemware Holder (SSTRAY1) **\$340**  
With Stemware Holder (SSTRAY2) **\$450**  
*Color and finish will come matched with tub*

**Teak Tub Tray**  
Slatted (TK-TRAY1) **\$500** Solid (TK-TRAY2) **\$570**  
*Order with tub for best fit*

**Drains & Overflow Kits** *Must be ordered at time of purchase*

**Toe Tap Drain Cover Finishes**  
PVC drain - Chrome included  
+**\$50** upcharge Br. Nickel (WIOBN), Pol. Nickel (WIOPN)  
+**\$85** upcharge Matte Black (WIOMB)  
+**\$105** upcharge Oil-Rubbed Bronze\* (WIOOR)  
+**\$640** upcharge Special Finish\* (WIOSF)  
*Send finish sample to MTI Baths for best match.*

**Boutique Accessories**  
Packaging / Handling Fee Applies

**SculptureStone® Bathroom Table** (TABLE) **\$825** matte finish  
+**\$410** gloss finish upcharge (SSGLOSSNK)  
*Order with tub for best color match*

**SculptureStone® Standard Faucet Stand**  
Small - 3-hole capacity  
14¼" w x 20½" h  
Matte (STAND) **\$725**  
Large - 5-hole capacity  
22" w x 21½" h  
Matte (STANDL) **\$855**  
+**\$410** gloss finish upcharge (SSGLOSSNK)

**SculptureStone® Premium Faucet Stand**  
**15" w x 39" h**  
Matte (SSFSR3915MT) **\$2,365**  
Gloss (SSFSR3915GL) **\$2,720**  
**10" w x 39" h**  
Matte (SSFSR3910MT) **\$2,135**  
Gloss (SSFSR3910GL) **\$2,525**  
**20" w x 23" h**  
Matte (SSFSR2320MT) **\$1,930**  
Gloss (SSFSR2320GL) **\$2,315**  
**15" w x 23" h**  
Matte (SSFSR2315MT) **\$1,825**  
Gloss (SSFSR2315GL) **\$2,180**

**SculptureStone® Premium Component Stand**  
20" l x 22.5" h  
Matte (SSPX1MT) **\$2,000**  
Gloss (SSPX1GL) **\$2,640**  
*Compatible with select tub models.*  
*Go to www.mtibaths.com*

**Toe Tap SculptureStone® Drain Cover Finishes**  
Upgrade is in lieu of standard chrome to tap drain cover.  
White only  
+**\$90** upcharge Matte Finish (SSWIOMT)  
+**\$110** upcharge Gloss Finish (SSWIOGL)  
**Brass Tailpiece** (WIOBS) **\$85** in addition to finish charge listed above  
**Quick Drain Kit** (WOQ) **\$460**

\* MTI has selected an oil-rubbed bronze finish that is compatible with Delta and many other manufacturers. To ensure best match, order as a Special Finish and submit a sample.  
CSA # MTCT-262

\* Allow 2-4 weeks lead time for Special Finishes.  
Send sample for best match.

