

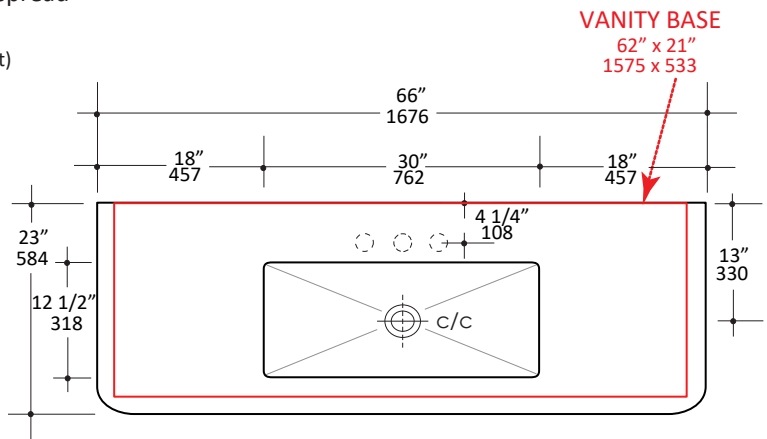
Specifications:

Installation:	Vanity-top
Interior Dimensions:	30" w x 12 1/2" d x 4 1/4" h
Exterior Dimensions:	66" w x 23" d x 6 1/8" h
Material:	Concrete
Weight:	238 lbs
Overflow:	No
Finishes:	TER - Terracotta SLT - Slate CHL - Charcoal SND - Sand
Faucet Holes:	00 - no hole 01 - one centered hole 02 - two hole - center and right, 4" spread 03 - three hole, 8" spread
Vanity Base Size:	62" x 21" (template available upon request)
Faucet Hole Size:	Ø 1 3/8"
Drain Hole Size:	Ø 1 3/4"



Features:

- Concrete sink without overflow
- Most standard American drains can also be used
- Current cut-out template can be requested
- Size can be customizable upon request (conditions apply)

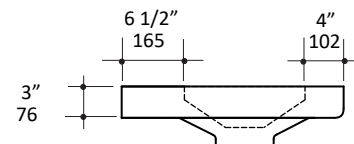
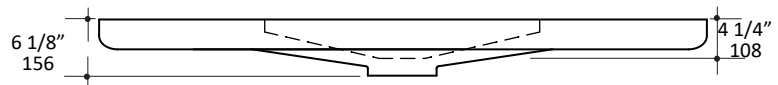


Codes + Standards:

- Meets and exceeds applicable national codes and standards

Recommended Items:

- Drain options
 - 7100-13
 - 7100-15
 - 7100-18



Care + Maintenance:

- Due to the nature of concrete material, please do not overtighten the drain and other hardware as it may cause the sink to chip or crack
[Click Here](#) to find out more about proper care and maintenance of concrete

LACAVA reserves the right to revise any dimension or information on this sheet without notice. Dimensions are nominal and may vary within an industry accepted tolerance of 1/4".
 Drawings provided herein are meant to give the user an idea of the product and are not made to scale.
 Revised: 02/15/2022