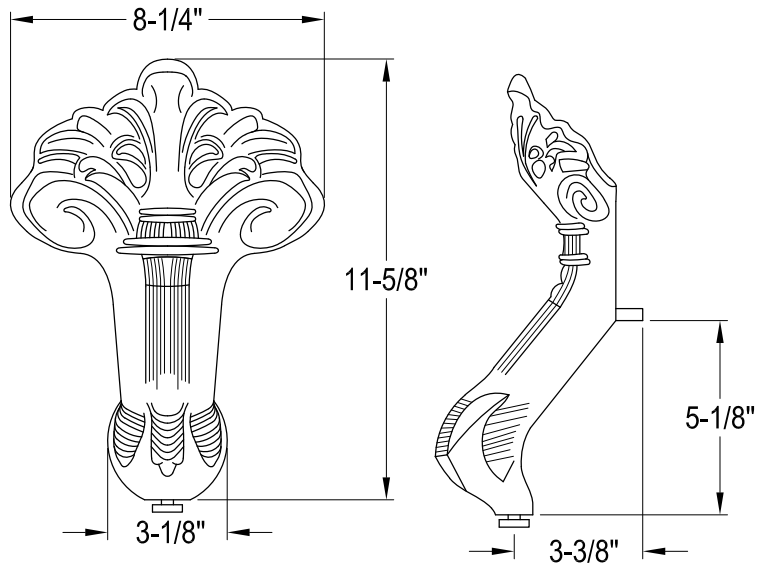
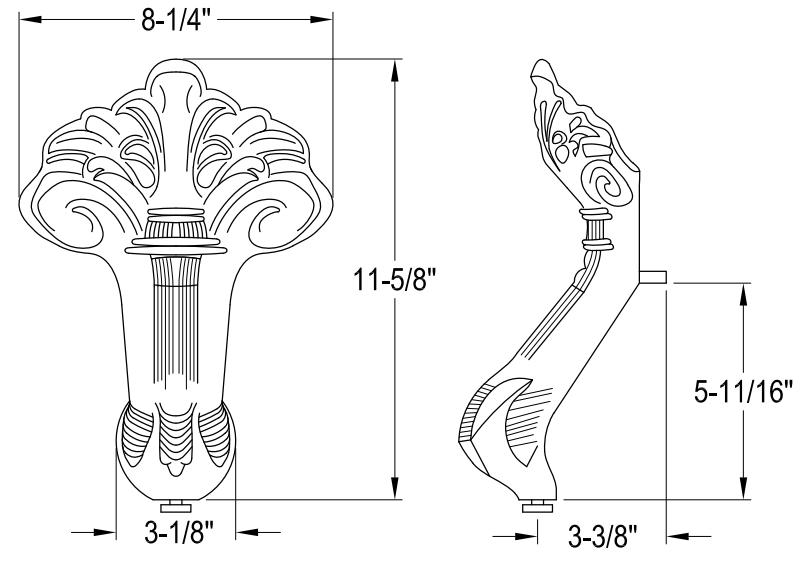


# VCTNF0,1,5,8

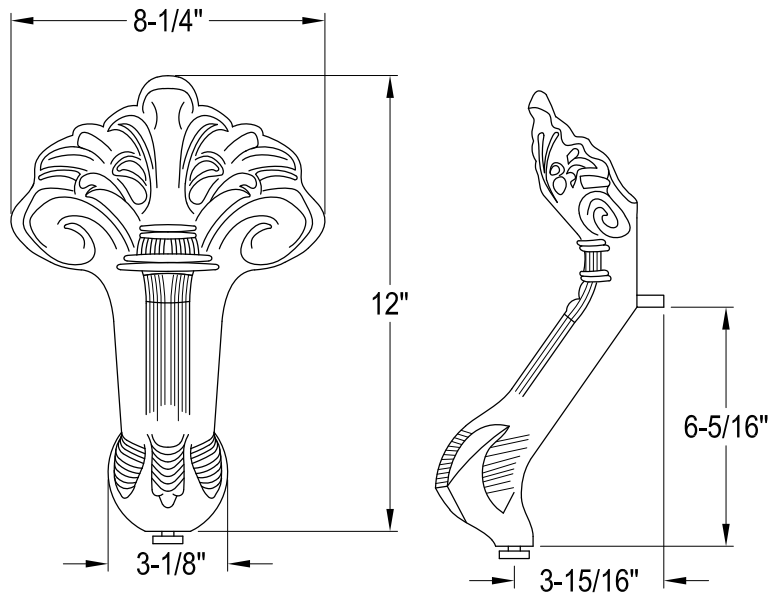
Tub Iron Feet



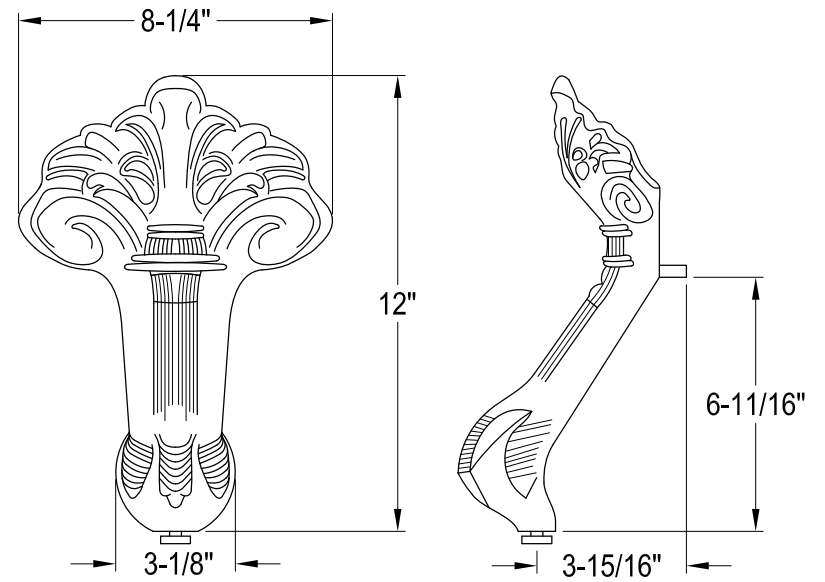
Foot with E marking



Foot with F marking



Foot with G marking



Foot with H marking