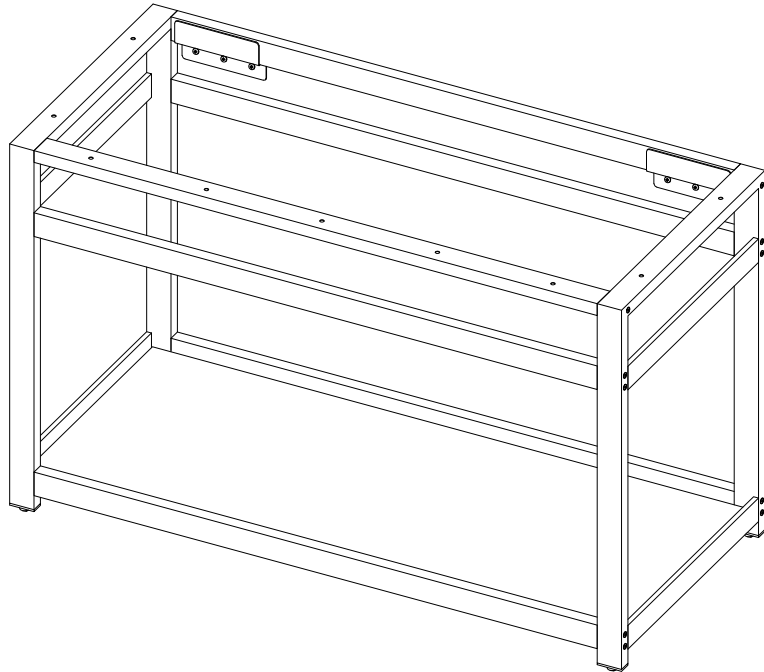


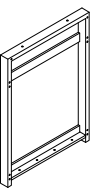
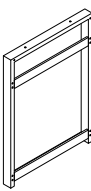
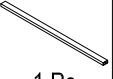

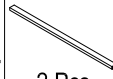
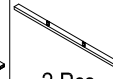




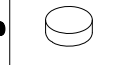
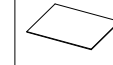
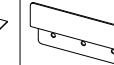
# KINGSTON

KITCHEN & BATH

## Steel Bathroom Console Sink Base With Glass Shelf Installation



### Parts:

□ Shape		Straight Tube						
								
1 Pc	1 Pc	1 Pc	1 Pc	2 Pcs	2 Pcs	2 Pcs		
		Screw		Bolt		Gasket	Glass Shelf	Mounting Bracket
								
		4 Pcs	8 Pcs	20 Pcs	12 Pcs	1 Pc	2 Pcs	


www.kingstonbrass.com  
 TOLL-FREE CUSTOMER SERVICE: 1-877-2-KBRASS  
 TECHNICAL SUPPORT E-mail: service@kingstonbrass.com  
 12775 Reservoir Street, Chino, CA 91710

### TOOLS REQUIRED

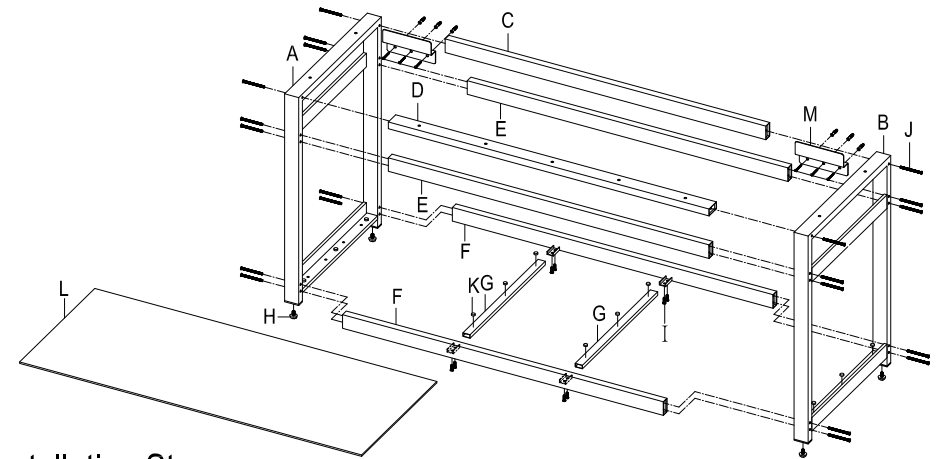
 Allen Wrench

 Phillips Screwdriver

 Marking Pencil

 Hammer

 Power Drill



### Installation Steps:

- Step 1. Thread adjustable leg screws (Part H) to the bottom of Parts A & B.
- Step 2. Locate the two pieces of Part F as well as Part G. Place Part G in the groves and secure with the short screw (Part I). Repeat again for the second Part G.
- Step 3. Locate Part A and Part B, face the sides with railing to each other and secure Part F from Step 2 using the long screws (Part J). Do not secure completely until the end of installation to leave room for the other support bars.
- Step 4. Install Part E to the frame using the long screws (Part J) and do not secure completely.
- Step 5. Install Part D and Part C using the same procedures as above. Once all bars are secure, use the Allen wrench to secure the screws comp
- Step 6. Flip the sink base upright and ensure all screws have been tightened, apply Part K to Part A, B and G, then install the glass panel to the sink base. Exercise caution when installing the glass panel.
- Step 7. Level entire structure by adjusting leg screws (Part H) as necessary.
- Step 8. Once unit has been assembled place at the desired location and after leveling draw a line across the bottom of the top vertical beam (C).
- Step 9. Remove the Console sink base, find the location of the wood studs and using the marked line as a guide to install support brackets at the location of the studs, make sure at least one of the screws is secured to the wood; you will need an anchor to secure from a secondary point in the bracket.
- Step 10. The depth of wall drill hole for installing anchor should be 40mm (1-5/8" ) Min.
- Step 11. Slide Console sink base into place and attach top sink.

### Cleaning

Clean with a damp cloth only.  
 Avoid using metal or abrasive polishes.