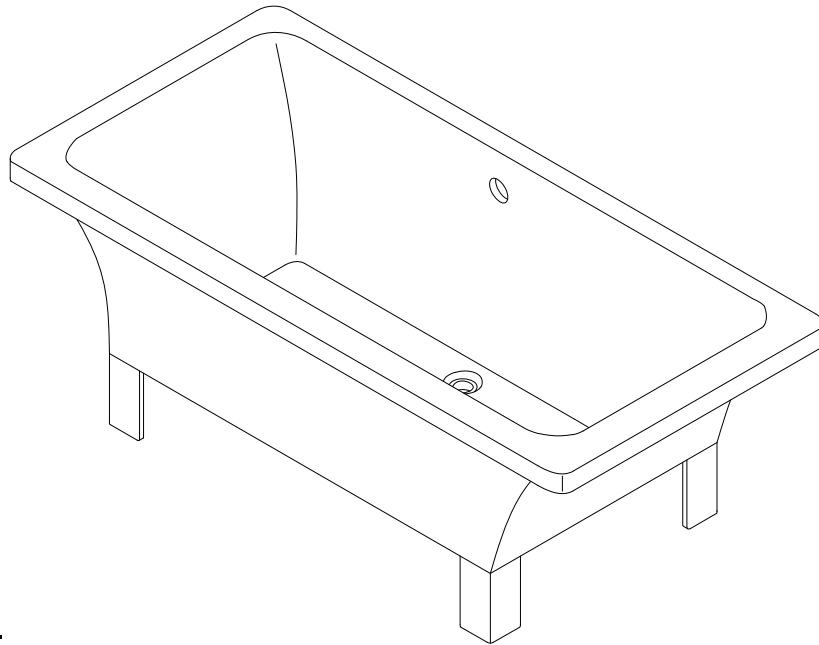


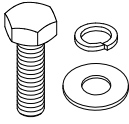
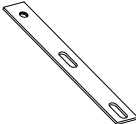
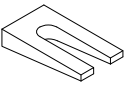
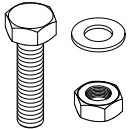
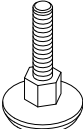
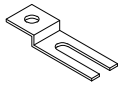
Aqua Eden

ELEMENTS OF DISTINCTIVE STYLE

Acrylic Bath Tub Installation

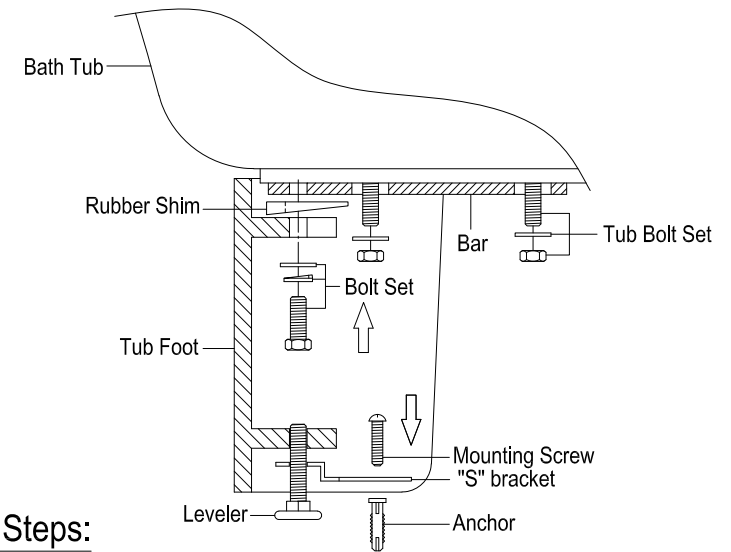
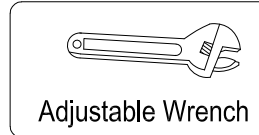


Parts:

Bolt Set	Bar	Rubber Shim	Tub Bolt Set (installed on tub already)	Leveler	"S" Bracket & Mounting Screw & Anchor
# 1	# 2	# 3	# 4	# 5	
					
4 Pcs	4 Pcs	4 Pcs	8 Pcs	4 Pcs	4 Pcs

www.kingstonbrass.com
 TOLL-FREE CUSTOMER SERVICE: 1-877-2-KBRASS
 TECHNICAL SUPPORT E-mail: service@kingstonbrass.com
 12775 Reservoir Street, Chino, CA 91710

TOOLS REQUIRED



Installation Steps:

- Step 1. Turn tub over and set on non-abrasive mat. Loosen the nuts and washers secured on the insert bolts of the tub.
 - Step 2. Locate the flat metal bar (#2), bolt set (#1), and square rubber shim (#3).
 - Step 3. Set the square rubber shim (#3) on top of the flat metal bar (#2) where there is a circular screw hole. Align the tub foot with the rubber shim and hole and screw in place with the bolt set (#1).
- NOTE: The bolt set screws in order with flat metal washer first then ring washer.
- Step 4. Unscrew the nut and metal washer from the tub bolt inserts (#4). Place the flat metal bar on the bolt inserts in the desired location and tighten in place.
 - Step 5. Repeat steps 2 & 3 for the other three feet and make sure all bolts and nuts are tightened.
 - Step 6. Insert metal "S" bracket into tub feet leveler (#5) and secure the leveler to the bottom of each tub feet.
 - Step 7. Make sure all the bolts and nuts are tightened on the tub feet and bar.
 - Step 8. Turn the tub over carefully as not to damage finish or floor surface.
 - Step 9. Once tub has been properly positioned and you are positive it will not be moved. Swivel the attachment "S" brackets into the desired position. These brackets are designed to secure the tub to the floor and they can be swivel to any position. Insert anchors if needed.
 - Step 10. Use adjustment bolts to level tub and insure a wobble free installation.

Cleaning

Clean with a damp cloth only.
 Avoid using metal or abrasive polishes.

Aqua Eden

ELEMENTS OF DISTINCTIVE STYLE

Optional Fiberglass Tub Deck Drilling Instructions

Additional Tools Needed:

- Painters Tape or Masking Tape
- Measuring Tape
- Safety glasses or goggles
- Dust mask or other protective face covering
- Power Drill
- Metal Drill Bit for Guide Hole Drilling
 - Please see your Hole Saw bit's instructions for the appropriate size
- Hole Saw Drill Bit (example - Hole Saw Bits Kit @ Home Depot)
 - Diameter depends upon hole size needed for faucet install
 - Please refer to faucet installation instructions for the diameter of the hole saw needed
 - Please refer to the hole saw manufacturer instructions to ensure the bit works with fiberglass
- Fine grit sandpaper (optional)

Instructions for Drilling Faucet Holes:

1. Apply masking tape or painters tape over the area(s) to be drilled, be sure tape covers the whole area being drilled and 1 to 1-½" beyond the drilling.
2. Measure and mark the location of the hole to be drilled and of the center of the drill hole with a dot, cross or another mark.
3. Put on safety glasses/goggles and a dust mask or other protective face covering, leave them on until all drilling and sanding steps are completed.
4. Using the appropriate size metal drill bit and power drill, drill the hole for the guide bit.
 - a. Please consult the Hole Saw manufacturer's instructions for the size of the guide bit hole.
 - b. Lower speeds are recommended for the guide hole drilling.
5. Change out the drill bit for the Hole Saw bit and drill hole(s) as prepared.
 - a. Starting at a lower drill speed for the guide bit then increasing drill speed for the hole saw is recommended.
 - b. Be sure to keep the drill and bit straight, perpendicular to the deck surface during the whole drilling process to prevent binding.
6. After drilling allow the surface to cool for a moment before removing the tape.
7. Inspect drill hole and if desired use fine-grit sandpaper to clean up the inner edges of the drilling(s).
8. Remove any dust or shavings remaining on the tub surface by wiping gently with a clean, damp cloth or paper towel.
9. Remove safety glasses/goggles and protective face covering and clean up any tools and debris remaining.

www.kingstonbrass.com

TOLL-FREE CUSTOMER SERVICE: 1-877-2-KBRASS

TECHNICAL SUPPORT E-mail: service@kingstonbrass.com

12775 Reservoir Street, Chino, CA 91710