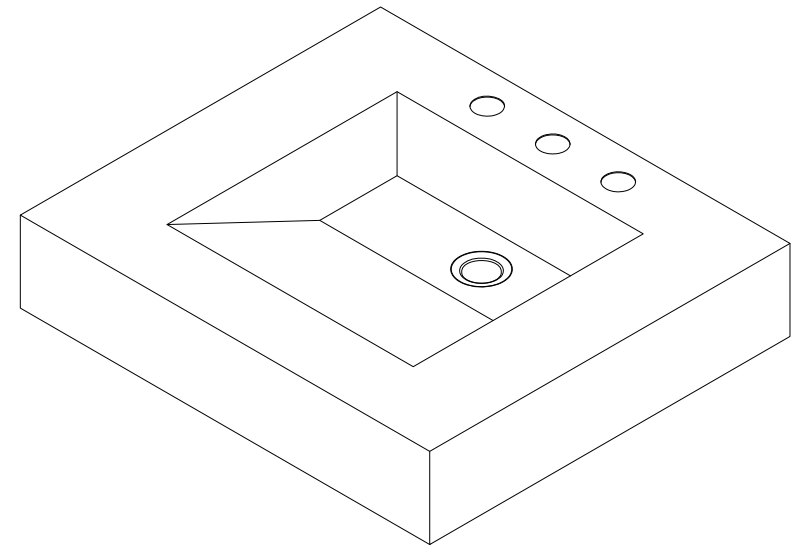


CARE AND CLEANING:

For best usage, keep in mind when caring lavatory products:

1. Use a soft, dry sponge or cloth to wipe lavatory surfaces and nearby surfaces, clean and rinse completely with water immediately after applying cleaner.
2. Do not leave cleaners to soak on surfaces after each use.
3. Do not use abrasive material to clean surfaces, such as brush or scouring pad.
4. Do not leave staining materials in contact with the surface for extended periods of time.

FAUCETURE



www.kingstonbrass.com

TOLL-FREE CUSTOMER SERVICE: 1-877-2-KBRASS

TECHNICAL SUPPORT E-mail: service@kingstonbrass.com

12775 Reservoir Street, Chino, CA 91710

FAUCETURE

INSTALLATION INSTRUCTIONS

SELF-RIMMING LAVATORY SINK

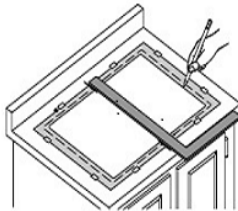
These instructions are for installing Kingston Brass stainless steel lavatory sinks.

Note:

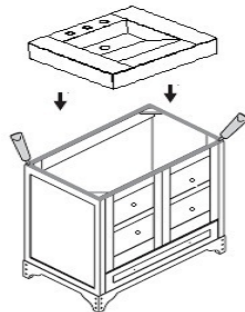
- It is recommended that all countertops be cut and installed by an approved or certified professional.
- Thoroughly inspect the product and all materials for any damage prior to installation. Do not install a damaged or defective unit.
- Responsibility with observing all local plumbing and building codes lies with the consumer.
- Warranty will be voided if the product has not been installed and maintained in accordance with all written instructions accompanying the product.

For Countertop Installation

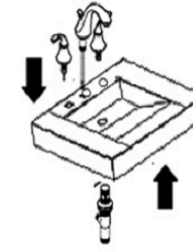
1. Place the sink on counter where it will be installed, make sure item is parallel with the front of the counter.
2. Mark the perimeter of the sink and remove sink, mark new cut-out lines 2" inside the perimeter lines.



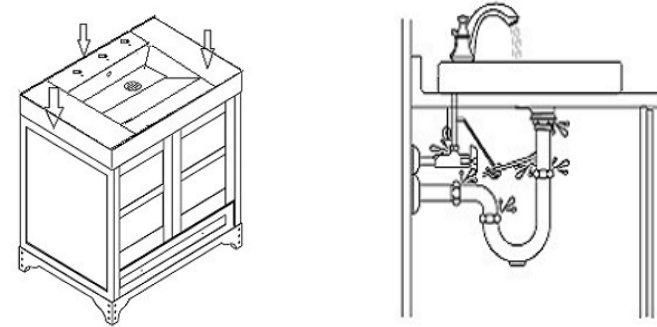
3. Install faucet and drain, apply a bead of silicone based caulking around the bottom of the sink and install in its intended location.



4. Connect the water supply lines and drain line

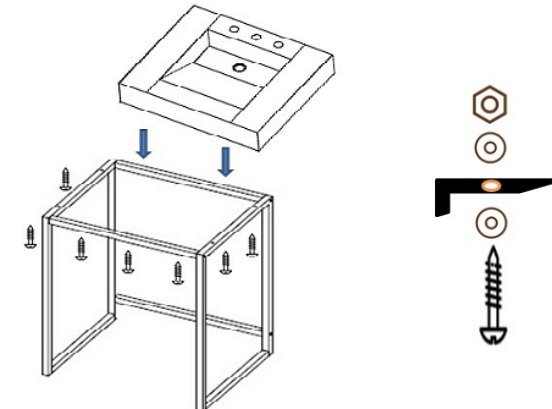


5. Clean excess silicone around the perimeter of the sink, run water into the lavatory and check for leaks, let silicone dry overnight before using the sink.



For installation with Console leg base

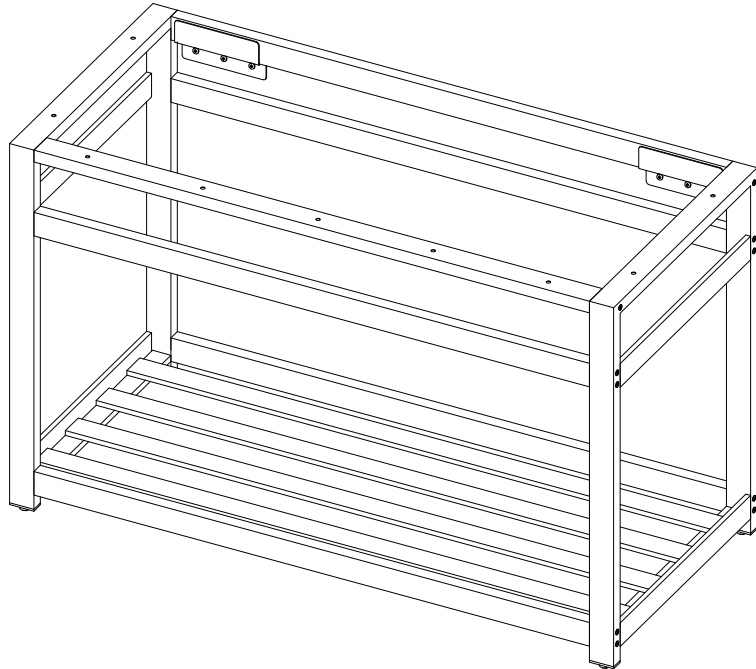
1. Install faucet and drain on lavatory sink.
2. Place lavatory on top of the support base and line up the predrilled holes on top of the support base with the predrilled holes on the bottom of the lavatory.
3. Secure lavatory to the base by attaching with the screws and nuts provided as shown on graphic.
4. Run water into the lavatory and check for leaks.



KINGSTON

KITCHEN & BATH

Steel Bathroom Console Sink Base Installation

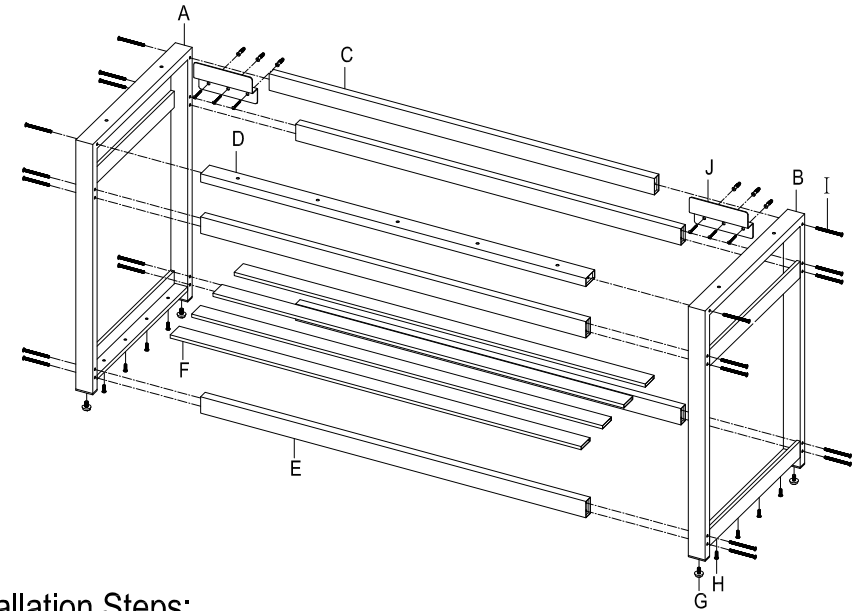
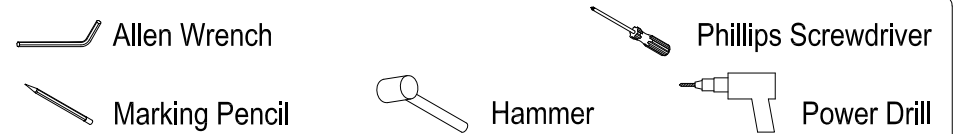


Parts:

□ Shape		Straight Tube			Gasket
A	B	C	D	E	F
1 Pc	1 Pc	1 Pc	1 Pc	4 Pcs	4 Pcs
		Screw		Bolt	Mounting Bracket
G	H	I	J		
∅23.5mm	1/4" x 19mm	1/4" x 75mm			
4 Pcs	8 Pcs	20 Pcs	2 Pcs		

www.kingstonbrass.com
 TOLL-FREE CUSTOMER SERVICE: 1-877-2-KBRASS
 TECHNICAL SUPPORT E-mail: service@kingstonbrass.com
 12775 Reservoir Street, Chino, CA 91710

TOOLS REQUIRED



Installation Steps:

- Step 1. Thread adjustable leg screws "G" to the bottom of parts A & B.
- Step 2. Locate part C and join parts A & B by attaching part "C" to the top rear of the support assembly using the attached Allen bolts "I".
- Step 3. Locate part "D" and attach to the top front of the assembly, holes should be on the top surface of the support beam.
- Step 4. Vertically attach support beams "E" to the front and rear of the support structure.
- Step 5. Place Bottom rack slats "F" on the bottom support beams on Parts "A" & "B" and secure using enclosed Phillips screws "H".
- Step 6. Level entire structure by adjusting leg screws "G" as necessary.
- Step 7. Once unit has been assembled place at the desired location and after leveling draw a line across the bottom of the top vertical beam (C).
- Step 8. Remove the Console sink base, find the location of the wood studs and using the marked line as a guide to install support brackets at the location of the studs, make sure at least one of the screws is secured to the wood; you will need an anchor to secure from a secondary point in the bracket.
- Step 9. The depth of wall drill hole for installing anchor should be 40mm (1-5/8") Min.
- Step 10. Slide Console sink base into place and attach top sink.

Cleaning

Clean with a damp cloth only.
 Avoid using metal or abrasive polishes.