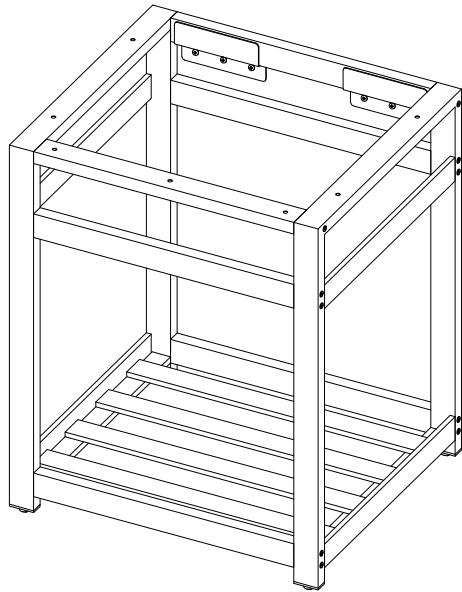


KINGSTON

KITCHEN & BATH

Steel Bathroom Console Sink Base Installation

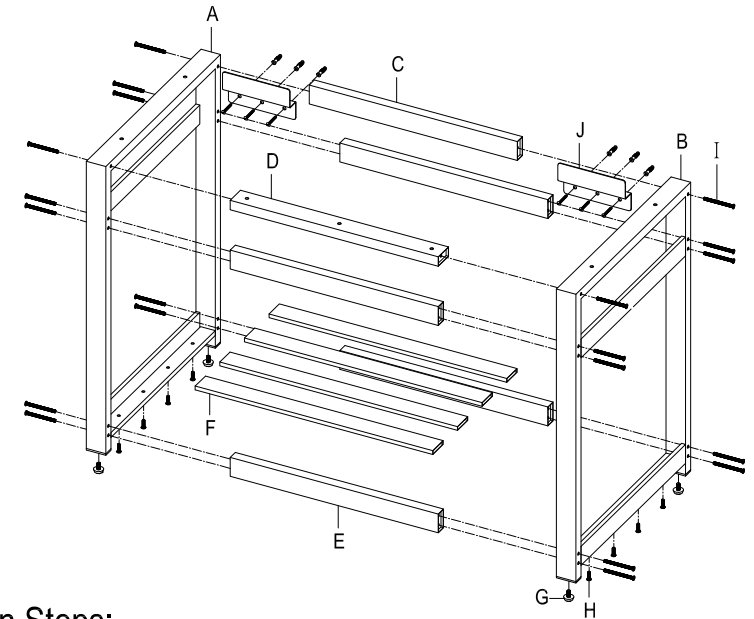
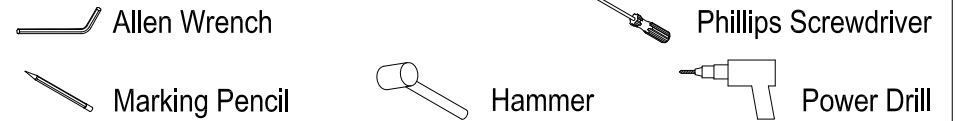


Parts:

□ Shape		Straight Tube			Gasket
A	B	C	D	E	F
1 Pc	1 Pc	1 Pc	1 Pc	4 Pcs	4 Pcs
		Screw		Bolt	Mounting Bracket
		G	H	I	J
		4 Pcs	8 Pcs	20 Pcs	2 Pcs

www.kingstonbrass.com
 TOLL-FREE CUSTOMER SERVICE: 1-877-2-KBRASS
 TECHNICAL SUPPORT E-mail: service@kingstonbrass.com
 12775 Reservoir Street, Chino, CA 91710

TOOLS REQUIRED



Installation Steps:

- Step 1. Thread adjustable leg screws "G" to the bottom of parts A & B.
- Step 2. Locate part C and join parts A & B by attaching part "C" to the top rear of the support assembly using the attached Allen bolts "I".
- Step 3. Locate part D and attach to the top front of the assembly, holes should be on the top surface of the support beam.
- Step 4. Vertically attach support beams "E" to the front and rear of the support structure.
- Step 5. Place bottom rack slats "F" on the bottom support beams on Parts "A" & "B" and secure using enclosed Phillips screws "H".
- Step 6. Level entire structure by adjusting leg screws "G" as necessary.
- Step 7. Once unit has been assembled place at the desired location and after leveling draw a line across the bottom of the top vertical beam (C).
- Step 8. Remove the Console sink base, find the location of the wood studs and using the marked line as a guide to install support brackets at the location of the studs, make sure at least one of the screws is secured to the wood; you will need an anchor to secure from a secondary point in the bracket.
- Step 9. The depth of wall drill hole for installing anchor should be 40mm (1-5/8") Min.
- Step 10. Slide Console sink base into place and attach top sink.

Cleaning

Clean with a damp cloth only.
 Avoid using metal or abrasive polishes.