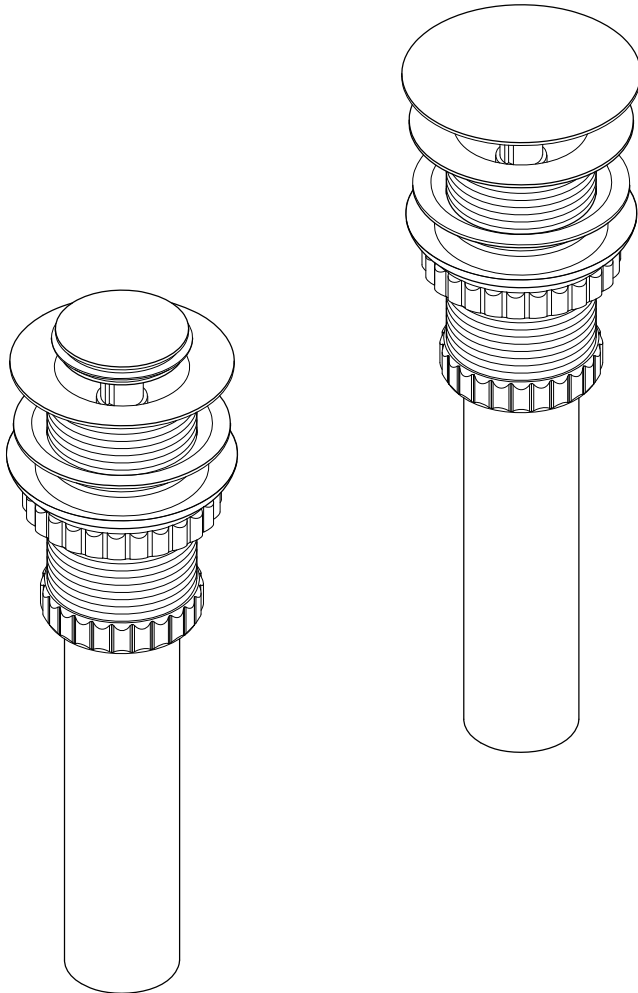


KINGSTON

KITCHEN & BATH



www.kingstonbrass.com

TOLL-FREE CUSTOMER SERVICE: 1-877-2-KBRASS

TECHNICAL SUPPORT E-mail: service@kingstonbrass.com

12775 Reservoir Street, Chino, CA 91710

KINGSTON

KITCHEN & BATH

INSTALLATION INSTRUCTIONS

Push Drain without Overflow

Need Tools:



INSTALLATION:

1. Remove parts (5)/ (6)/ (7)/ (8)/ (9) from the drain body (3).
2. Insert the drain assembly (1)/ (2)/ (3)/ (4) downwardly through the drain opening of sink.
So the outer threads of drain body (3) can go all the way through the drain opening and expose beneath the sink.
3. Make sure the rubber gasket (4) to fit in the drain opening evenly and snugly and its outside taper-surface is facing down.
4. Install rubber gasket (5) and lock nut (6) upwardly onto the drain body (3) from the thread end of drain body (3). Make sure the inside taper-surface of the rubber gasket (5) is facing up.
5. Slowly tighten up the lock nut (6) with a wrench until the rubber gasket (5) can completely and tightly seal the drain opening beneath the sink.
6. Put the rubber washer (7) back to the tailpiece (8) in its correct direction, so the rubber washer (7) can completely sit on the tailpiece (8).
7. Connect (7) and (8) on to the thread end of the drain body (3) with the connection nut (9). Turn the connection nut (9) slowly by hand until the tailpiece (8) cannot rotate.
8. Push the stopper (1) to the close position of the drain body (3), then turn on faucet to full fill water in the sink. Examine and make sure no water come out from the tailpiece (8) and no leakage happen anywhere under the sink.
9. Push the stopper (1) to the open position to drain water, examine to make sure no water leakage around the rubber gasket (5) or connection with tailpiece (8). If leakage found, adjust the rubber gasket (5) and re-tighten up the lock nut (6) or reconnect the tailpiece (8) until no more leakage found.

