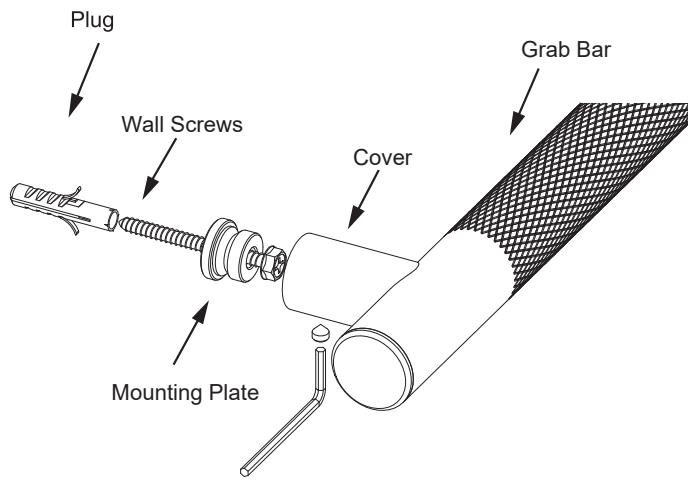


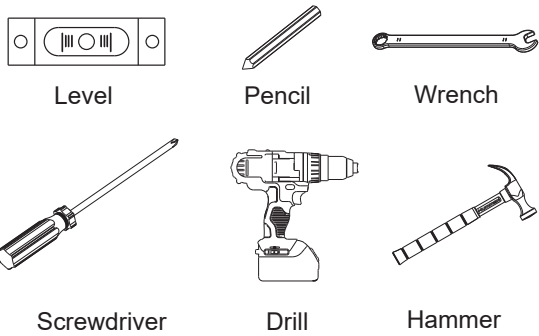
9900 SERIES (1.25"/32mm)

GRAB BAR

- 12" 8289912K
- 18" 8289918K
- 24" 8289924K
- 36" 8289936K
- 42" 8289942K



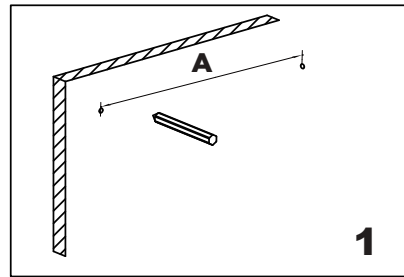
Tools required for installation



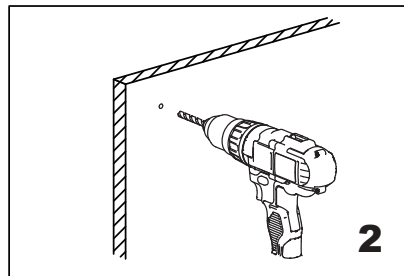
A=Plate TOP holes center to center distance
 B=Plate TOP hole to BOTTOM hole distance
 C=Plate TOP/BOTTOM holes to MID hole distance

Product Code	Sizes (Inches/mm) A
8289912k	11 3/4" /300
8289918k	17 3/4" /450
8289924k	23 5/8" /600
8289936k	35 1/2" /900
8289942k	42 1/8" /1070

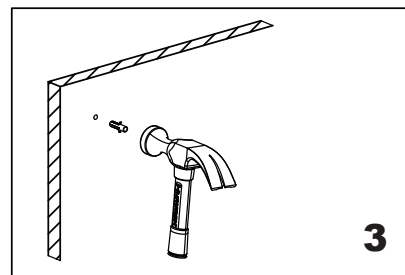
Fig.1



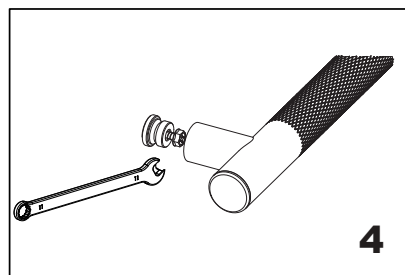
Mark (on the wall) locations of plugs through mounting plate using a pencil, refer to Fig.1



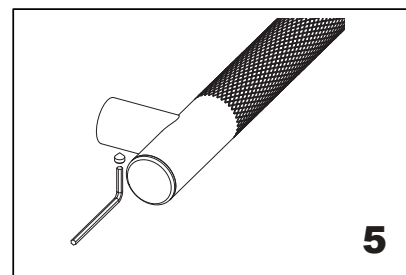
Drill 3/16" holes, make sure to keep drill level



Insert plugs into drilled holes, using a hammer to tap the plugs in, be careful not to break tile



Driver bolt nut directly into holes



Tighten the post on the Mounting plate and fix with Allen Key