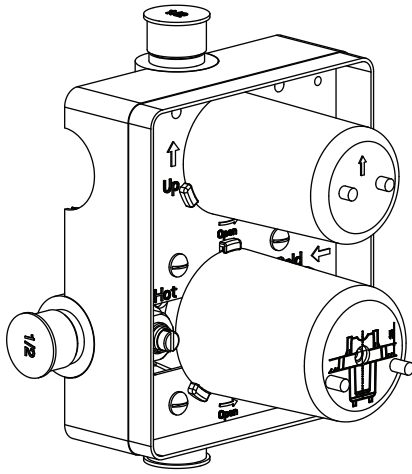




PBV1005A | Pressure Balance Valve With Integrated 2-Way Diverter Page 1 of 2



SPECIFICATIONS:

- Lift Handle to control volume. Turn left for hot, right for cold.
- Knob controls 2-way water diversion - shared output.
- Pressure Balance Valve Flow Rate - 5.5 GPM @ 60 PSI

FINISHES :

- Chrome - PBV1005ACP / Brushed Nickel - PBV1005ABN /

STANDARDS:

- ASME A112.18.1 / CSA B125.1

WARRANTY:

- Limited lifetime warranty to the original consumer purchaser against finish and workmanship

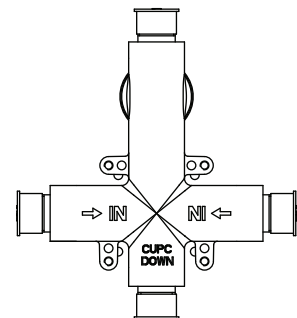
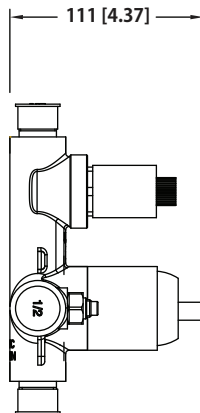
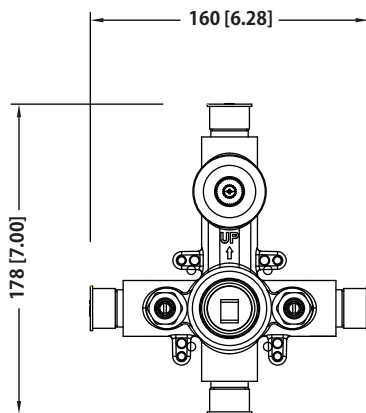
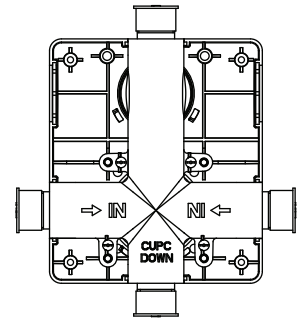
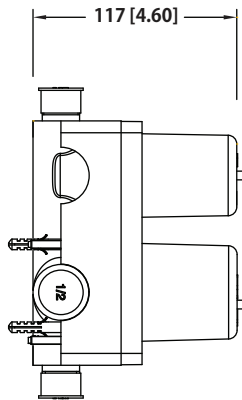
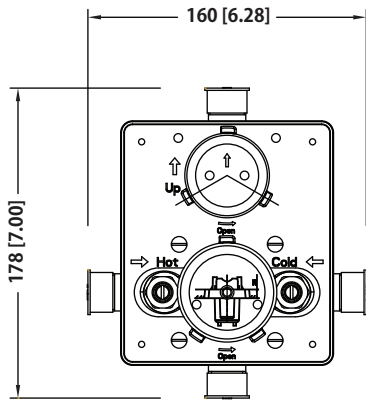
Legislation Compliance



ZeroDrip Technology



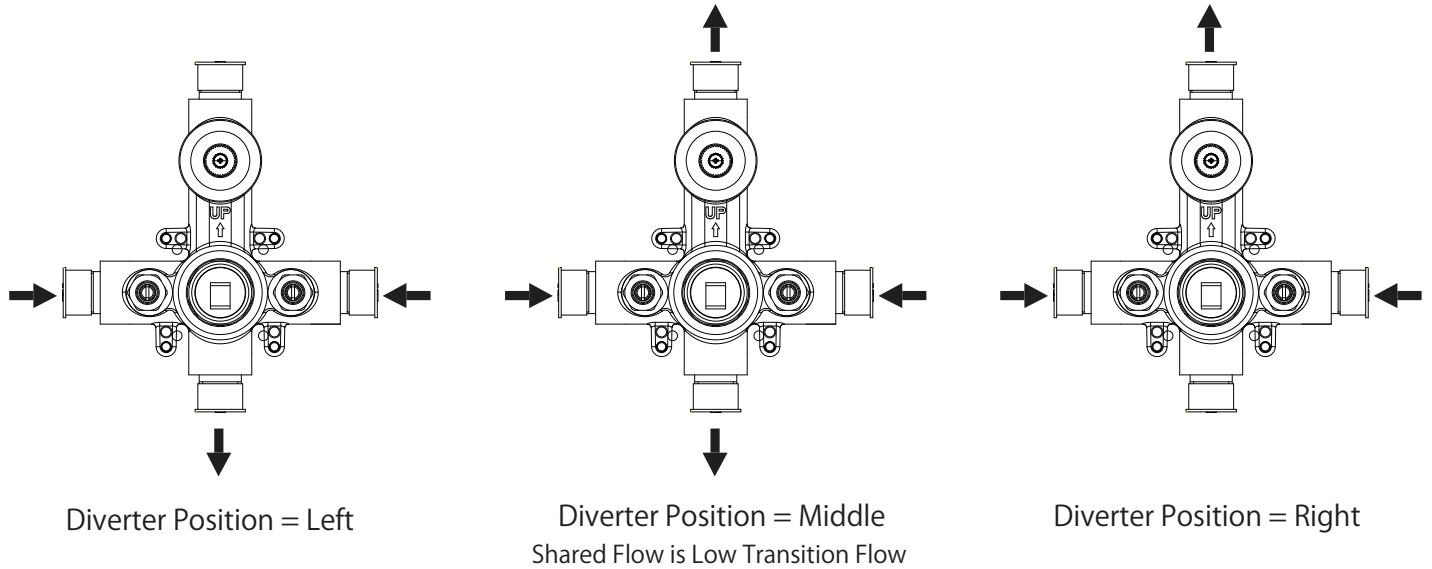
Technical Diagram



PBV1005A | Pressure Balance Valve With Integrated 2-Way Diverter Page 2 of 2



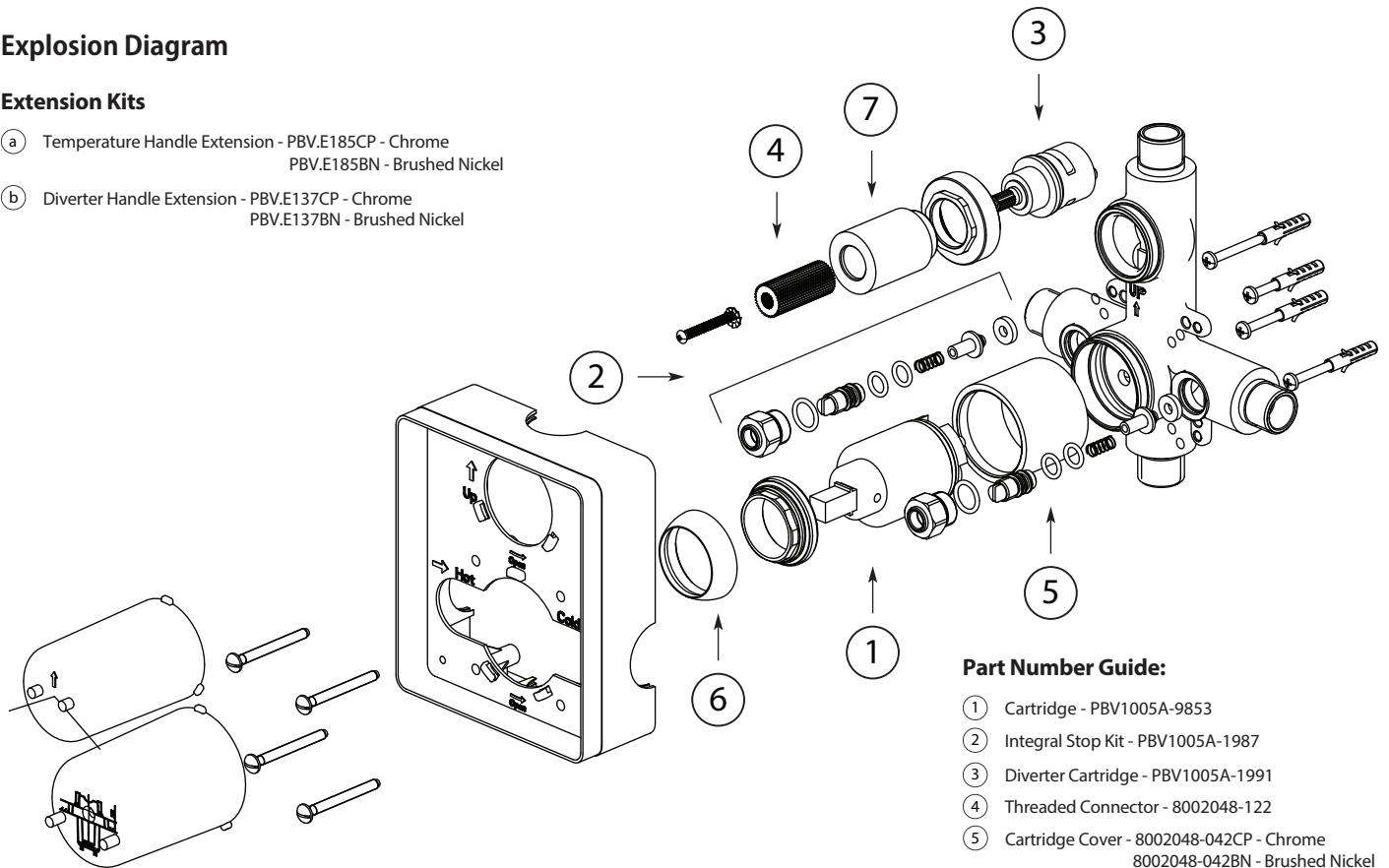
Water Diversion Diagram



Explosion Diagram

Extension Kits

- a) Temperature Handle Extension - PBV.E185CP - Chrome
PBV.E185BN - Brushed Nickel
- b) Diverter Handle Extension - PBV.E137CP - Chrome
PBV.E137BN - Brushed Nickel



Part Number Guide:

- ① Cartridge - PBV1005A-9853
- ② Integral Stop Kit - PBV1005A-1987
- ③ Diverter Cartridge - PBV1005A-1991
- ④ Threaded Connector - 8002048-122
- ⑤ Cartridge Cover - 8002048-042CP - Chrome
8002048-042BN - Brushed Nickel
- ⑥ Cartridge Bezel - 8002048-072CP - Chrome
8002048-072BN - Brushed Nickel
- ⑦ Diverter Cover - 6032029-383CP - Chrome
6032029-383BN - Brushed Nickel