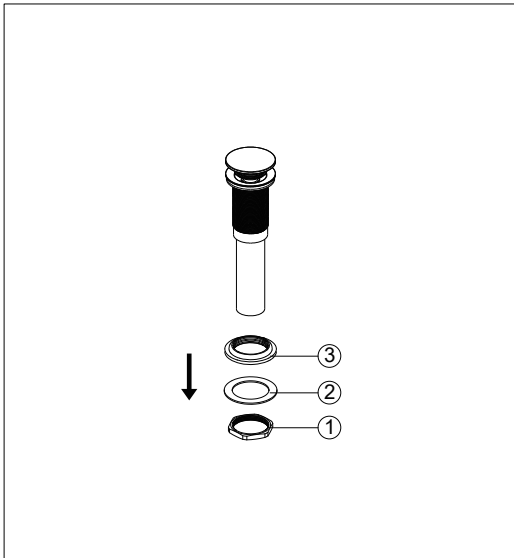
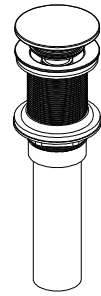
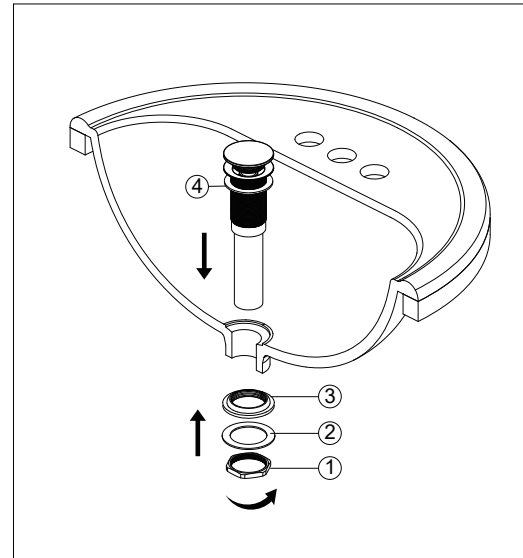


HS1009 - Pop Up Drain Without Overflow



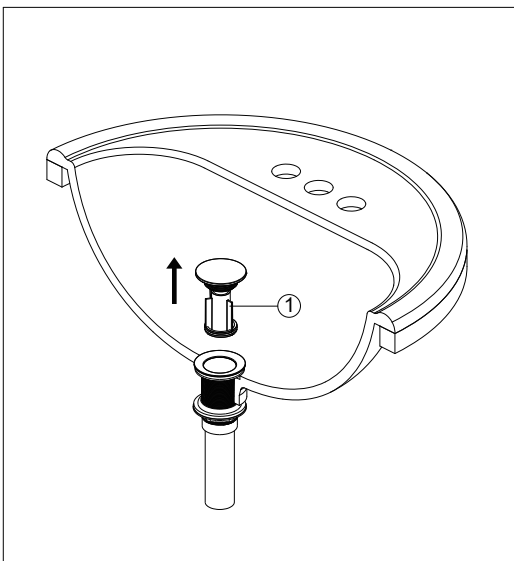
Step 1

Unscrew the nut (1) and remove the washers (2 & 3).



Step 2

Place the washer (4) underneath the flange of the pop-up body. Slide the pop-up body down through the drain hole on the vessel or basin. From underside, slide the washer (2 & 3) against the bottom of the vessel or basin, thread on the nut (1) and tighten. Do not overtighten.



Maintenance

If drainage is slow, pull out the stopper and clean. Then reinstall it.

