


WARNING

**DISCONNECT POWER BEFORE RE-LAMPING OR WIRING THE FIXTURE
 READ ALL INSTRUCTIONS COMPLETELY BEFORE STARTING INSTALLATION.**


CAUTION

- TO AVOID THE RISK OF FIRE OR SHOCK, FIXTURE MUST BE INSTALLED IN COMPLIANCE WITH ALL APPLICABLE NATIONAL AND LOCAL ELECTRICAL/BUILDING CODES.
- INSTALLATION AND MAINTENANCE OF THIS UNIT REQUIRES AN ELECTRICIAN OR CERTIFIED FACTORY TRAINED TECHNICIAN.
- If an existing fixture is being replaced, remove it and note to which of the wires in the outlet box the fixture was attached. DO NOT SEPARATE ANY OTHER WIRES THAT MAY BE IN THE BOX. DO NOT DAMAGE THE INSULATION OF OLDER WIRING. In regular circumstances the BLACK wire will be the "Hot" lead and the WHITE wire will be the "Neutral" or "Common" lead A GREEN or BARE COPPER wire is the "Ground". In older buildings it is always good practice to reconfirm the polarity of the wiring.

NOTICE

- The important safeguards and instructions outlined on this sheet cannot cover all possible conditions and situations that may occur. It must be understood that common sense, caution and care factors that cannot be built into any product. Caution and care must be supplied by the person(s) installing, operating and caring of this lighting fixture.
- This fixture is designed to be mounted on a correctly installed on 1/2-13 threaded rod secured to structure and standard round or octagon box or a through wiring box with a plaster frame. The box must be securely mounted to the structure of the building. The crossbar and hardware supplied should be used. Directly mounting the fixture to the outlet box may make it impossible to correctly align the fixture.
- This fixture is supplied with a 16ft. aircraft cable .

NOTICE:

CALIFORNIA PROP 65: THIS LIGHTING FIXTURE CONTAINS CHEMICALS KNOWN TO THE STATE OF CALIFORNIA TO CAUSE CANCER, BIRTH DEFECTS, AND/OR OTHER REPRODUCTIVE HARM. WASH HANDS AFTER USE.

FIXTURE PREPARATION

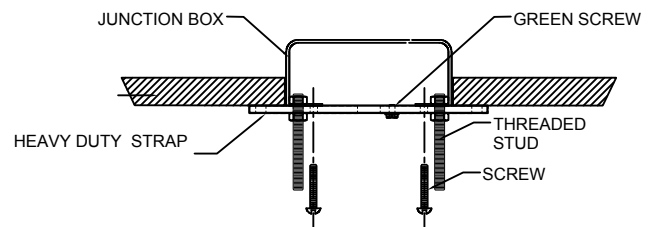
1. Remove the fixture, parts and parts bag(s) from the carton.

NOTICE:

- Before discarding the carton, double check to make certain that all parts are found.

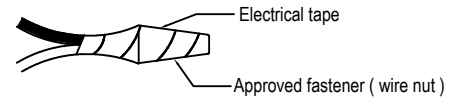
FIXTURE INSTALLATION

1. Attach the heavy duty strap onto the junction box.
 (The green screw should face the floor). Place the heavy duty strap at the junction box and fasten using the round head screw . (See FIGURE-01.)


FIGURE-01

- Determine the overall desired length of the fixture by adjusting the chain length. Then attach the SAFETY CABLE to the building or structure or brace. (See figure-02)
- Fasten the ground wire to the green or bare copper wire in the outlet box of the green screw on the mounting strap.

WARNING
Never fasten the ground wire to the black or "hot" wire!
Failure to follow this instruction could result in serious injury or death!



- Fasten the white fixture lead to the white wire in the outlet box. Fasten the wires together with an approved fastener (wire nut). Starting about 1" below the fastener, tightly wrap the connection with electrical tape so that the connections seals the end of the fastener.

WARNING
Make sure that there is no exposed wire or strands that could cause a dangerous short circuit!

- Connect the black fixture lead to the black wire in the outlet box. Fasten the joined wires as in step 4.
- Slide the canopy and secure the canopy to the ceiling by tightening the allen bolt. (See Figure-02)
- Place the lamp into the socket of the fixture, then fasten the glass leaf into the fixture. (See Figure-03)

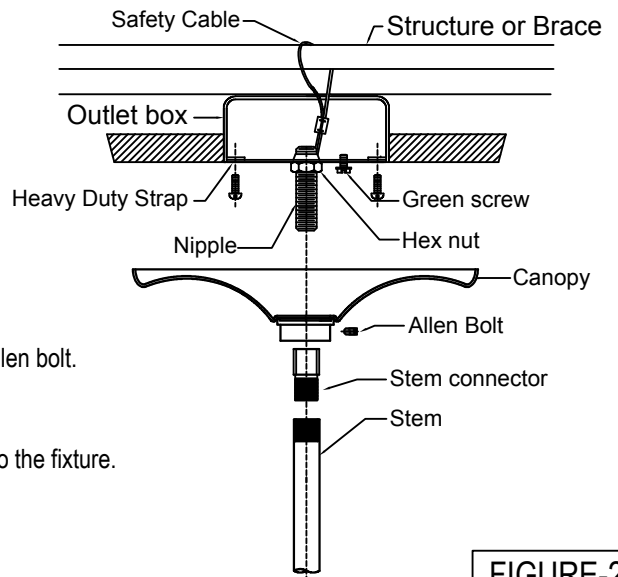


FIGURE-2

NOTICE:
 This fixture is rated for 60w type-B lamp.

⚠ WARNING
DO NOT EXCEED RECOMMENDED WATTAGE!

- Restore power to the circuit breaker or fuse box.

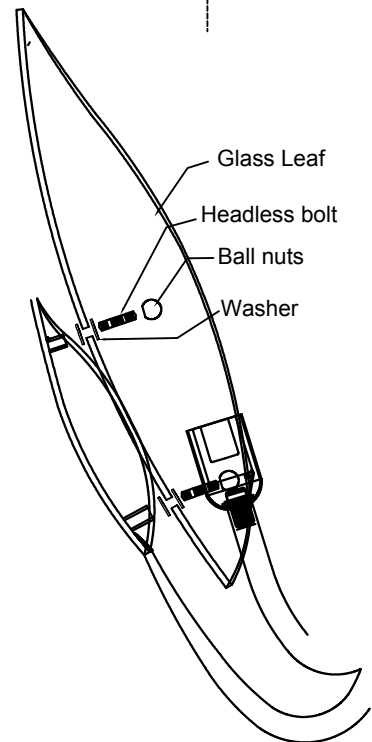
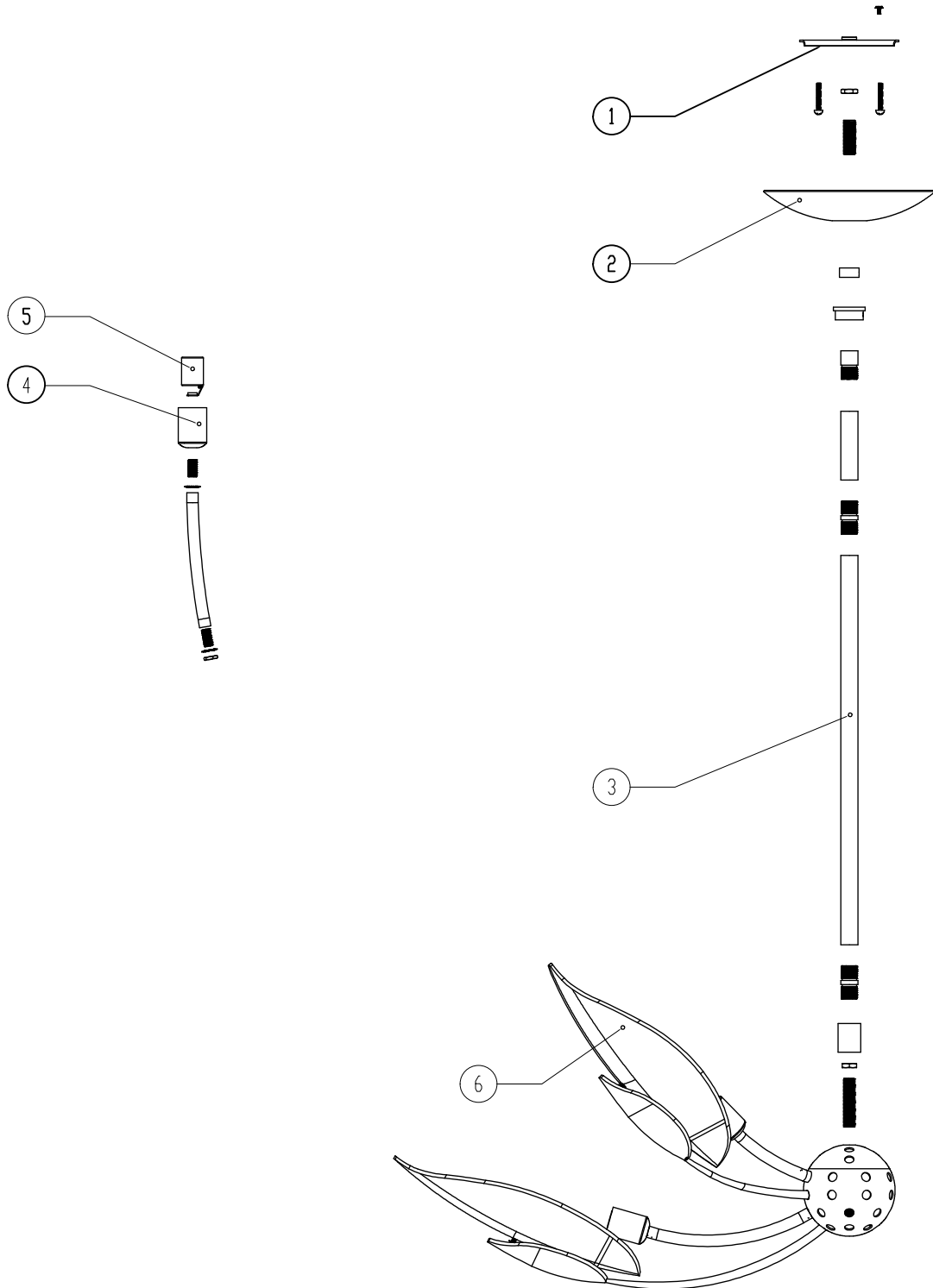


FIGURE-3

ITEM NO.		DESCRIPTION
1		MOUNTING HARDWARE
2		CANOPY
3		STEM
4		SOCKET COVER
5		SOCKET
6		GLASS



INSTALLATION DU LUMINAIRE

1. Fixer la bande fixation à la boîte de jonction. (La vis verte doit se trouver en face du plancher). Placer la bande de fixation sur la boîte de jonction et la fixer à l'aide de la vis à tête ronde. (Voir FIGURE-01).
2. Déterminer la longueur hors tout du luminaire désirée en ajustant la longueur de la chaîne. Ensuite fixer le CÂBLE DE SECURITE au bâtiment ou à la structure ou à l'entretoise. (Voir FIGURE-02).
3. Relier le câble de terre au câble vert ou de cuivre nu dans la boîte de sortie de la vis verte sur la sangle robuste.



AVERTISSEMENT

**Ne jamais relier le câble de terre au câble noir ou de "phase".
Le fait de ne pas suivre cette instruction peut entraîner des blessures graves ou la mort!**

4. Fixer le conducteur blanc du luminaire au câble blanc dans la boîte. Relier les câbles entre eux à l'aide d'un connecteur approuvé (serre-fils électrique). En commençant à environ 1" en-dessous du serre-fils, envelopper la connexion au moyen de ruban isolant bien serré, de manière à sceller la connexion à l'extrémité du connecteur.



AVERTISSEMENT

S'assurer qu'il n'y a pas de câbles ou de brins exposés qui pourraient provoquer un dangereux court-circuit

5. Relier le conducteur noir au câble noir dans la boîte de sortie. Assurer les câbles reliés comme au point 4.
6. Faire glisser la rosace et coller celle-ci au plafond en serrant le boulon Allen. (Voir FIGURE-02).
7. Placer l'ampoule dans la douille du luminaire, puis fixer la feuille de verre dans le luminaire. (Voir figure-03)

REMARQUE:

Ce luminaire est calibré pour une ampoule de 60 W de type B.



AVERTISSEMENT

Ne pas dépasser la puissance en Watts recommandée.

8. Réenclencher le courant dans le disjoncteur ou le fusible.

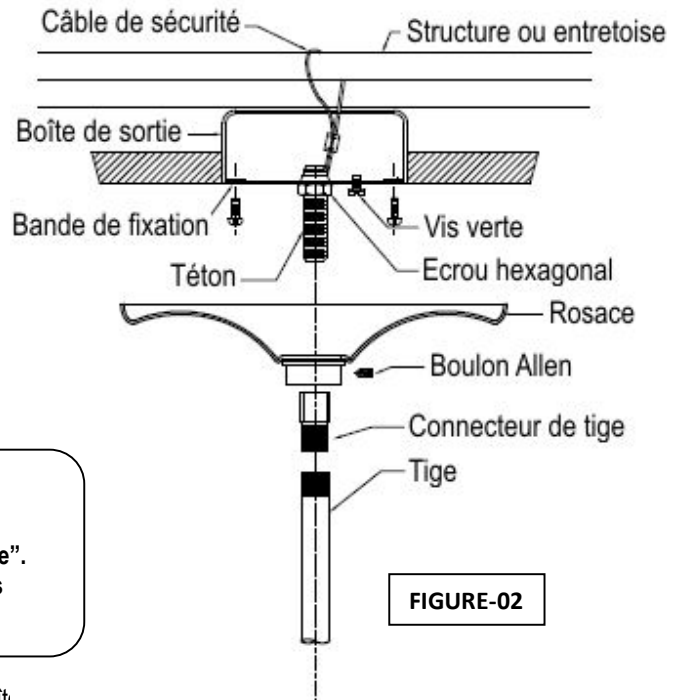


FIGURE-02

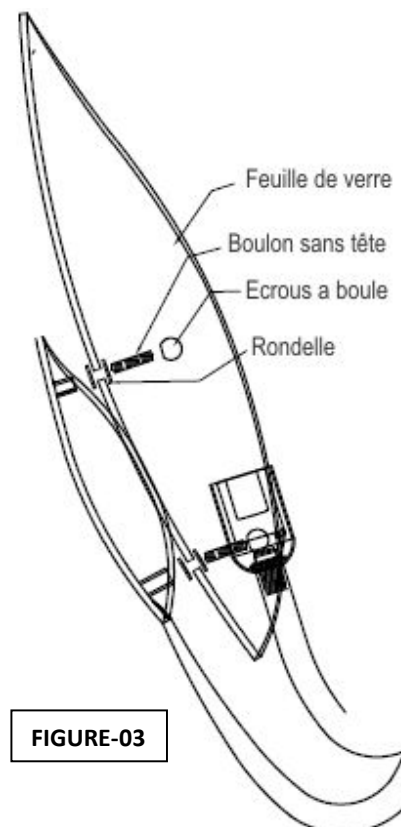
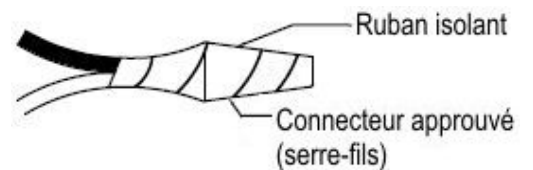


FIGURE-03

PIECE NO		DESCRIPTION
1		PIECES DE MONTAGE
2		ASSEMBLAGE DE LA ROSACE
3		ASSEMBLAGE DE LA TIGE
4		COUVRE-DOUILLE
5		DOUILLE
6		VERRE

