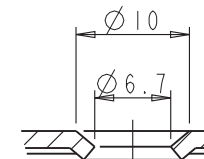
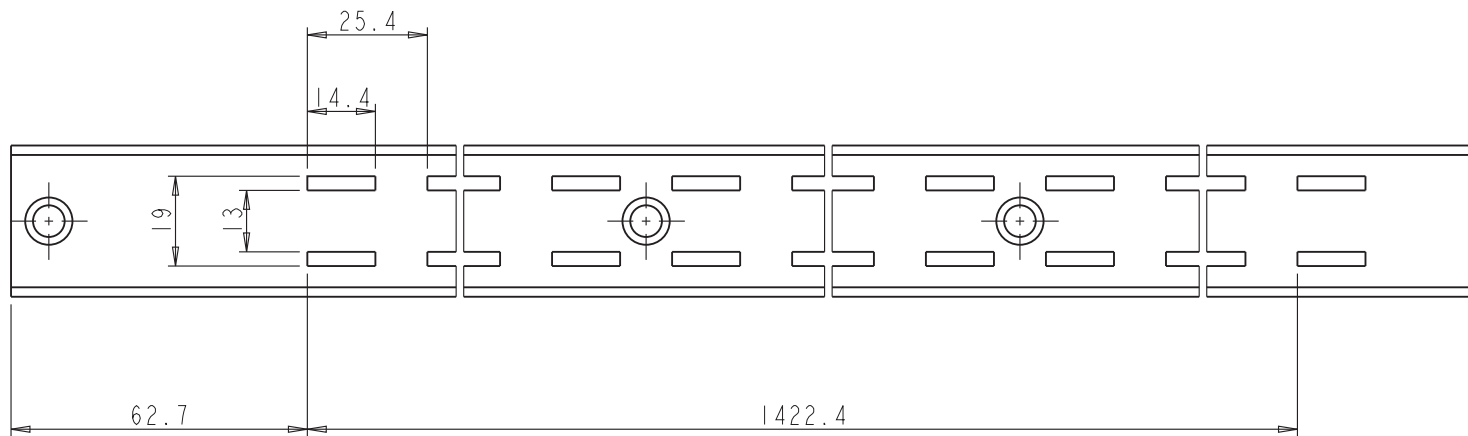


SECTION A-A
DETAIL 5:8



DETAIL A
SCALE 3:2

<p>hardware resources</p> <p>PROPRIETARY AND CONFIDENTIAL</p> <p>THE INFORMATION CONTAINED IN THIS DRAWING IS THE SOLE PROPERTY OF HARDWARE RESOURCES INC. ANY REPRODUCTION IN PART OR AS A WHOLE WITHOUT THE WRITTEN PERMISSION OF HARDWARE RESOURCES INC. IS PROHIBITED.</p>	ITEM#: TRK05-60		MATERIAL: STEEL	
	FINISH:		WEIGHT: 907.34 g	
	TOLERANCE UNLESS OTHERWISE SPECIFIED: X ±0.20 X.X ±0.10 X.XX ±0.05 ANGULAR: ±0.5°		PROJECTION	
	DO NOT SCALE DRAWING		DATE:	
UNITS: MM		DRAWN BY: alan.liu		DATE:
SIZE:		APPROVED BY:		DATE:
SHEET:		RELEASE LEVEL:		REVISION: