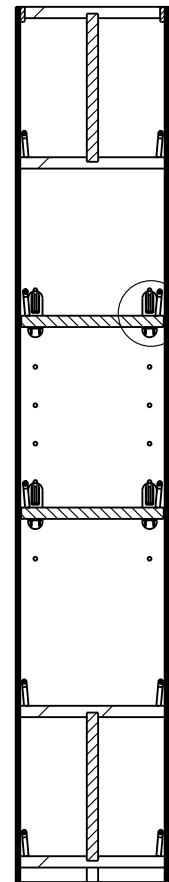
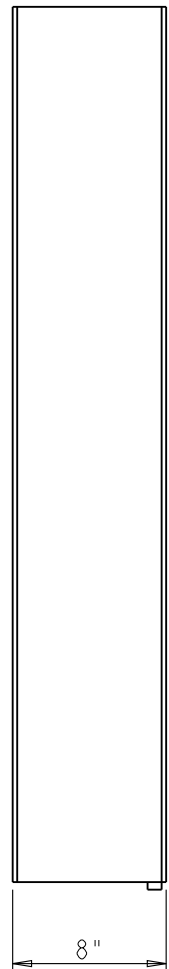
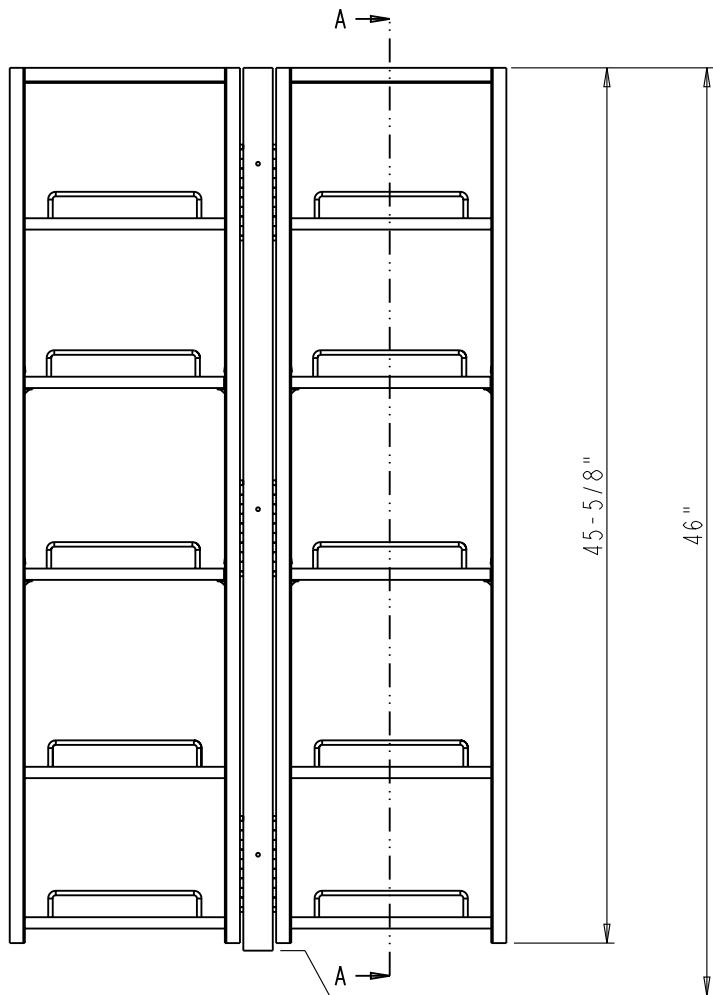


Bills of Material:

5	REMOVABLE-SHELF	Assembly	4			ASSEMBLY	I
4	7704	ABS	16			PART	I
3	HINGE	Assembly	6			ASSEMBLY	I
2	PANTRY	Assembly	2			ASSEMBLY	I
1	CONNECTED-BAR	Birch	1			PART	I
NO.	ITEM#	MATERIAL	QTY	UNIT	TOTLE WEIGHT	TYPE	ASSY LEVEL

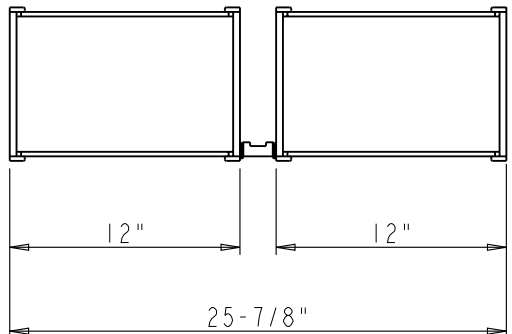
	ITEM#	PS045		MATERIAL:
	FINISH:			WEIGHT: 9
<b>PROPRIETARY AND CONFIDENTIAL</b> THE INFORMATION CONTAINED IN THIS DRAWING IS THE SOLE PROPERTY OF HARDWARE RESOURCES INC. ANY REPRODUCTION IN PART OR AS A WHOLE WITHOUT THE WRITTEN PERMISSION OF HARDWARE RESOURCES INC. IS PROHIBITED.	TOLERANCE UNLESS OTHERWISE SPECIFIED:		DRAWN BY:	DATE:
	X: MM ±0.20	SIZE:	<i>alan.liu</i>	DATE:
	X.X: MM ±0.10	CHECKED BY:		DATE:
	X.XX: MM ±0.05	APPROVED BY:		DATE:
	ANGULAR: ±0.5°	DO NOT SCALE DRAWING		



SEE DETAIL A

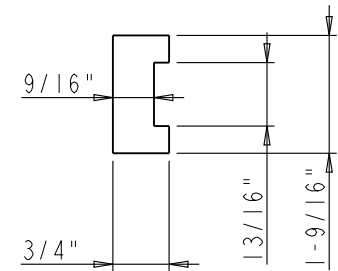
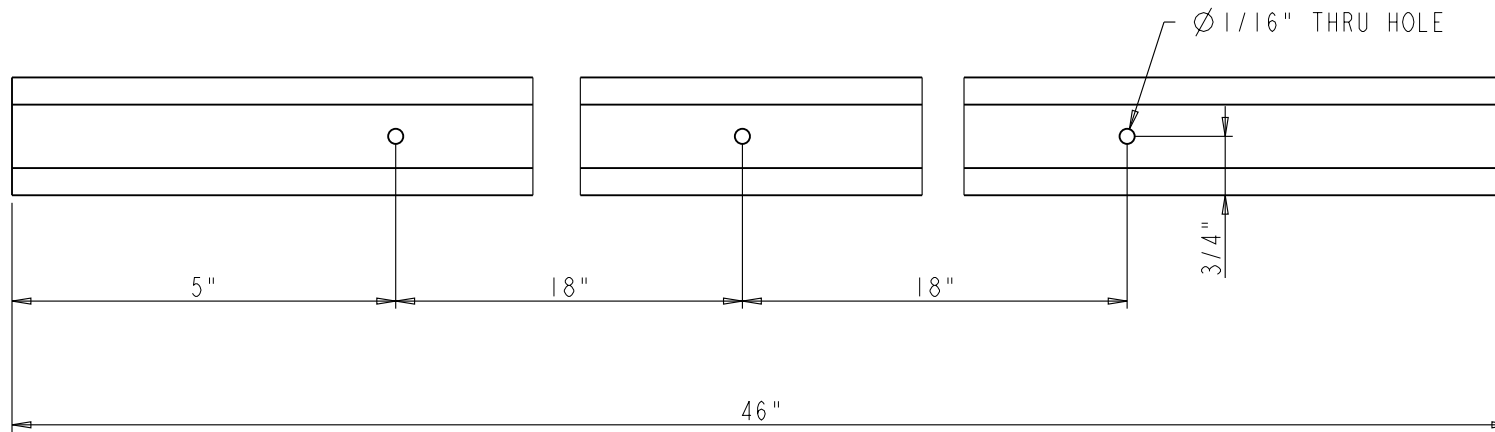


DETAIL A  
SCALE 1:5

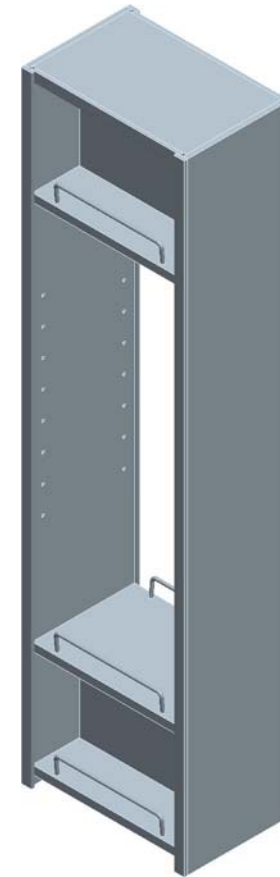
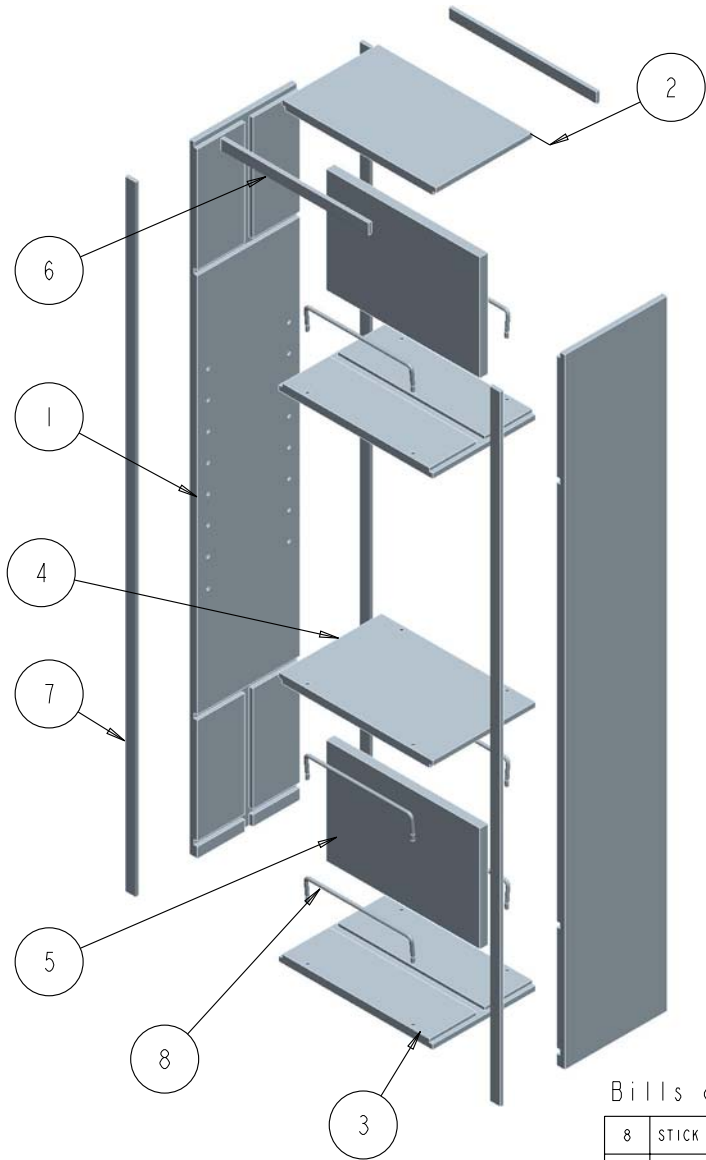


SECTION A-A

	ITEM:	PS045		MATERIAL:
	FINISH:			WEIGHT: 9
<b>PROPRIETARY AND CONFIDENTIAL</b> THE INFORMATION CONTAINED IN THIS DRAWING IS THE SOLE PROPERTY OF HARDWARE RESOURCES INC. ANY REPRODUCTION IN PART OR AS A WHOLE WITHOUT THE WRITTEN PERMISSION OF HARDWARE RESOURCES INC. IS PROHIBITED.	TOLERANCE UNLESS OTHERWISE SPECIFIED:	UNIT:	DRAWN BY:	DATE:
	X: MM ±0.20	SIZE:	CHECKED BY:	DATE:
	X.X: MM ±0.10			
	X.XX: MM ±0.05	APPROVED BY:	DATE:	
ANGULAR: ±0.5°				
DO NOT SCALE DRAWING				



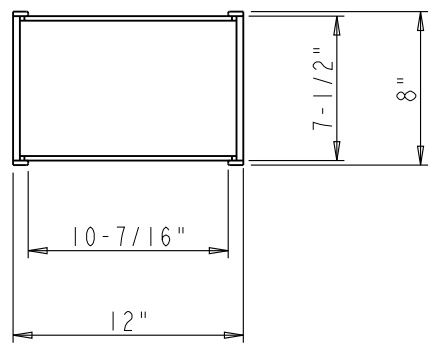
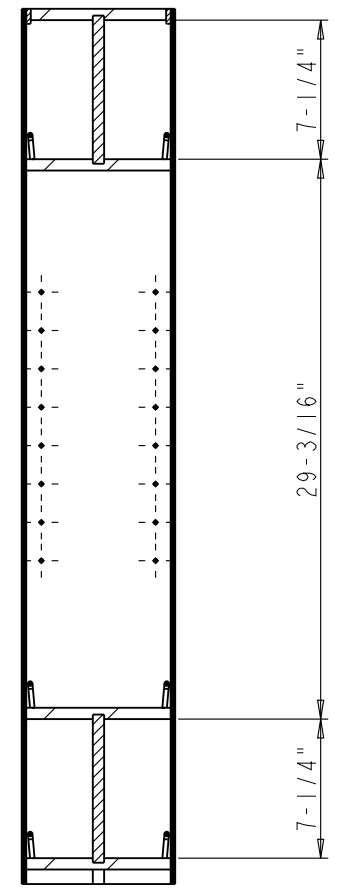
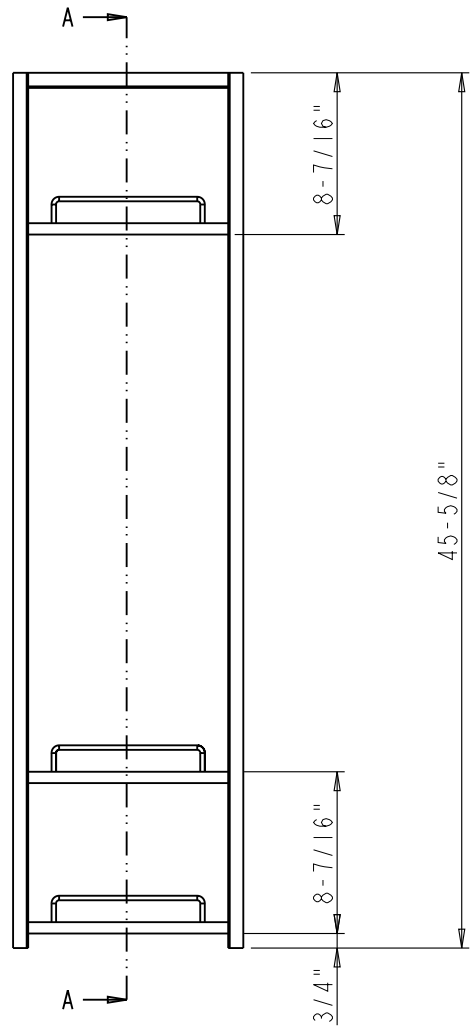
	ITEM: CONNECTED-BAR		MATERIAL: Birch	
	FINISH:		WEIGHT: g	
<b>PROPRIETARY AND CONFIDENTIAL</b> THE INFORMATION CONTAINED IN THIS DRAWING IS THE SOLE PROPERTY OF HARDWARE RESOURCES INC. ANY REPRODUCTION IN PART OR AS A WHOLE WITHOUT THE WRITTEN PERMISSION OF HARDWARE RESOURCES INC. IS PROHIBITED.	TOLERANCE UNLESS OTHERWISE SPECIFIED:		PROJECTION:	
	X: MM ±0.20	UNIT:	DRAWN BY: <i>alan.liu</i>	DATE:
	X.X: MM ±0.10	SIZE:	CHECKED BY:	DATE:
	X.XX: MM ±0.05	APPROVED BY:	CHECKED BY:	DATE:
ANGULAR: ±0.5°				
DO NOT SCALE DRAWING				



Bills of Material:

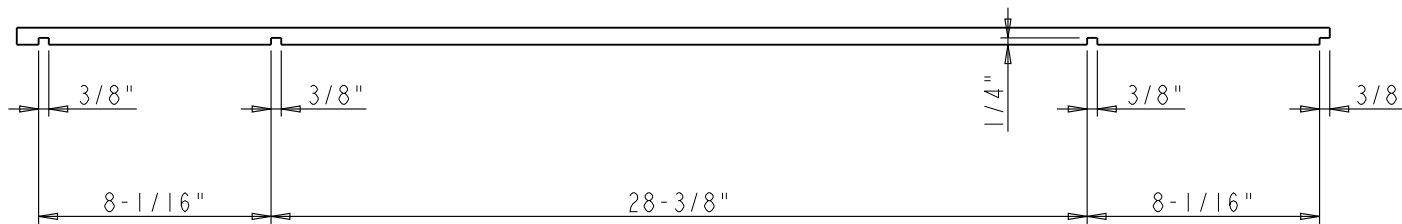
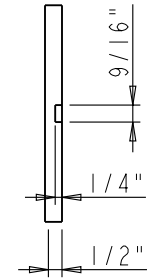
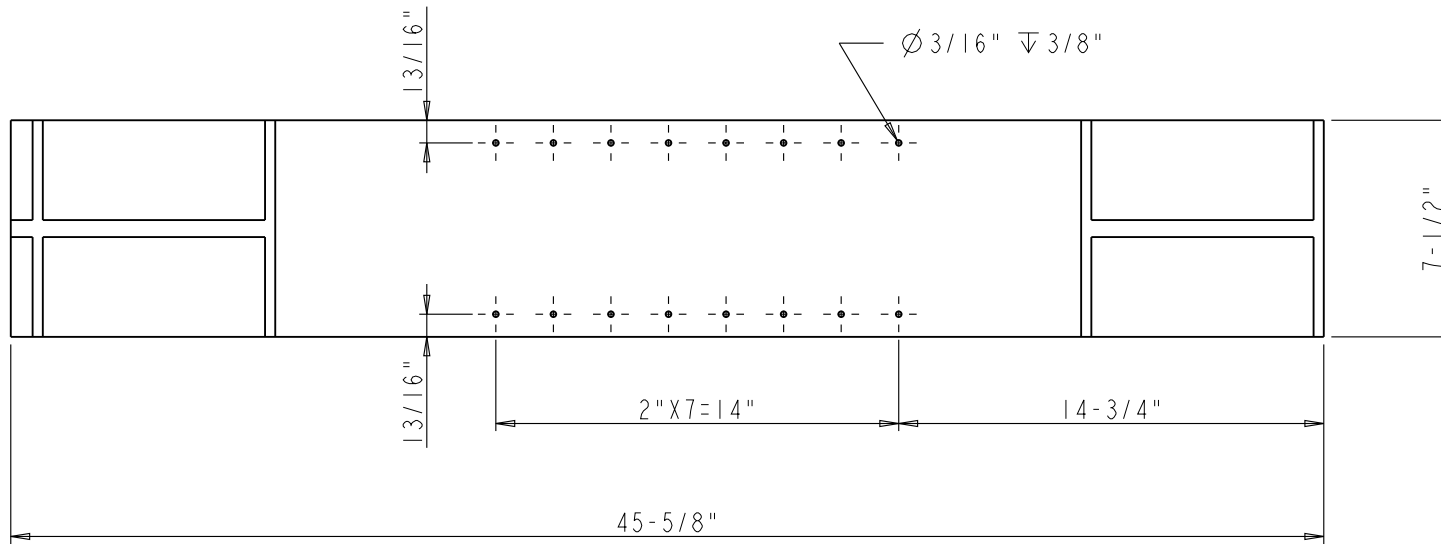
8	STICK	STEEL	6			PART	I
7	DECO-BAR-VERTICAL	Maple	4			PART	I
6	DECO-BAR-HORIZON	Maple	2			PART	I
5	SEPERATED-BOARD	PLY Wood	2			PART	I
4	SHELF-BOARD-FIXED-3	PLY Wood	1			PART	I
3	SHELF-BOARD-FIXED-2	PLY Wood	2			PART	I
2	SHELF-BOARD-FIXED-1	PLY Wood	1			PART	I
1	SIDE-BOARD	PLY Wood	2			PART	I
NO.	ITEM#	MATERIAL	QTY	UNIT	TOTLE	TYPE	ASSY
				WEIGHT			LEVEL

	ITEM#: PANTRY		MATERIAL: Assembly		
	FINISH:		WEIGHT: 9		
<b>PROPRIETARY AND CONFIDENTIAL</b> THE INFORMATION CONTAINED IN THIS DRAWING IS THE SOLE PROPERTY OF HARDWARE RESOURCES INC. ANY REPRODUCTION IN PART OR AS A WHOLE WITHOUT THE WRITTEN PERMISSION OF HARDWARE RESOURCES INC. IS PROHIBITED.	TOLERANCE UNLESS OTHERWISE SPECIFIED: X : MM ±0.20 X.X : MM ±0.10 X.XX : MM ±0.05 ANGULAR: ±0.5° DO NOT SCALE DRAWING		UNIT:	DRAWN BY: <i>alan.liu</i>	DATE:
	SIZE:	CHECKED BY:	DATE:		
	APPROVED BY:		DATE:		
	PROJECTION:				

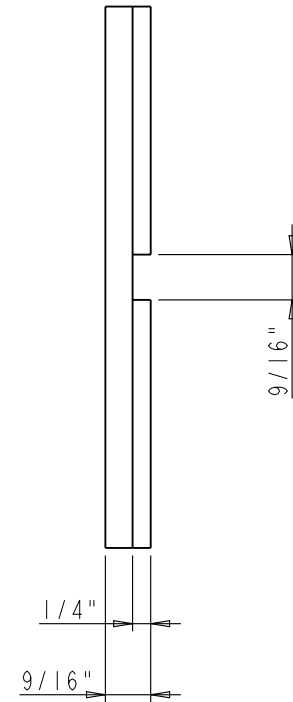
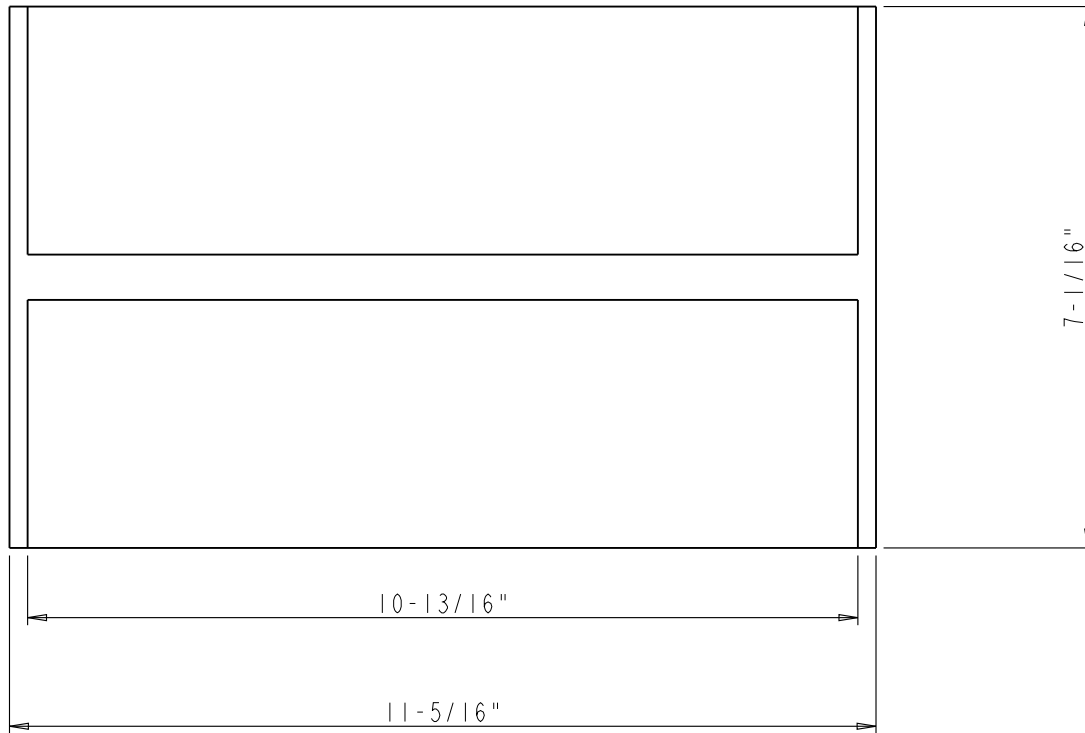


SECTION A-A

	ITEM: PANTRY		MATERIAL:		
	FINISH:		WEIGHT: 9		
<b>PROPRIETARY AND CONFIDENTIAL</b> THE INFORMATION CONTAINED IN THIS DRAWING IS THE SOLE PROPERTY OF HARDWARE RESOURCES INC. ANY REPRODUCTION IN PART OR AS A WHOLE WITHOUT THE WRITTEN PERMISSION OF HARDWARE RESOURCES INC. IS PROHIBITED.	TOLERANCE UNLESS OTHERWISE SPECIFIED: X : MM ±0.20 X.X : MM ±0.10 X.XX : MM ±0.05 ANGULAR: ±0.5° DO NOT SCALE DRAWING		UNIT:	DRAWN BY: <i>alan.liu</i>	DATE:
	SIZE:	CHECKED BY:	DATE:		
	APPROVED BY:		DATE:		
	PROJECTION:				

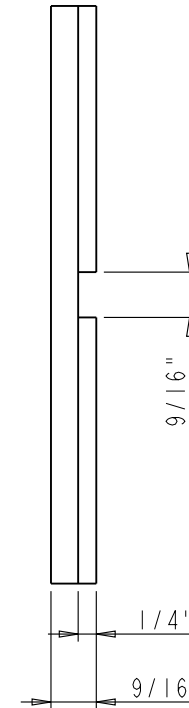
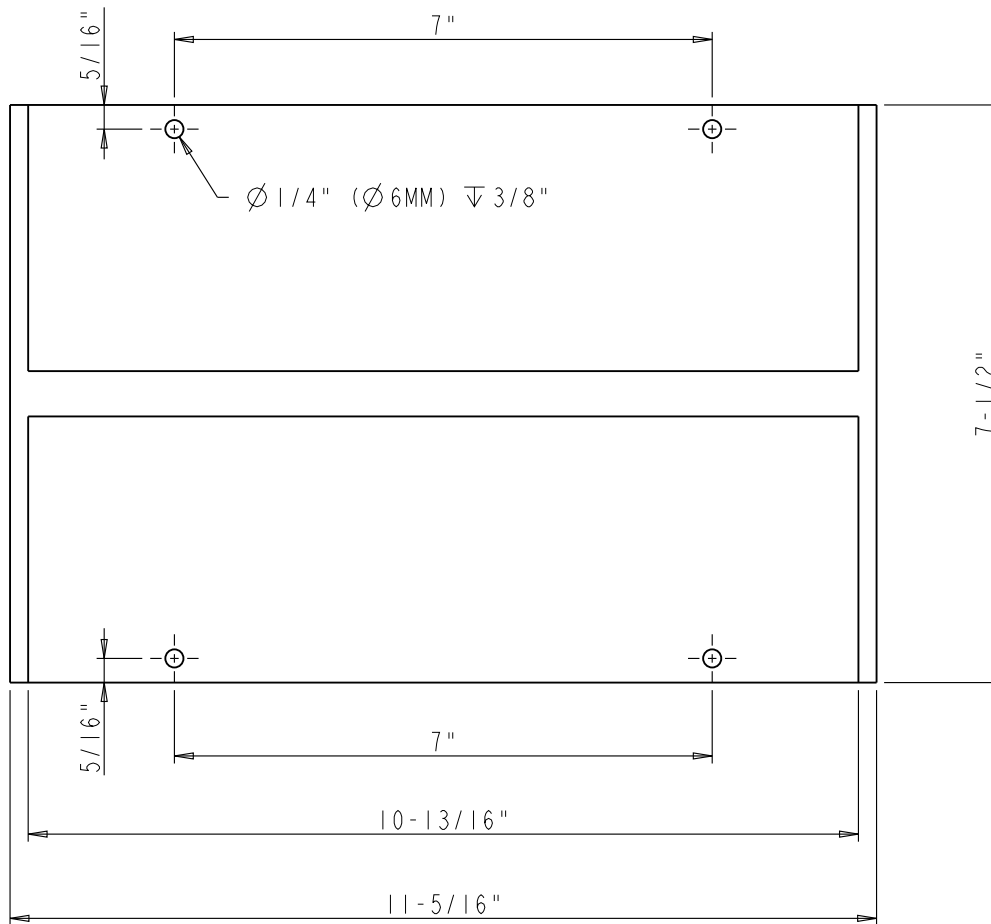


	ITEM: SIDE-BOARD		MATERIAL: PLY Wood		
	FINISH:		WEIGHT: 9		
<b>PROPRIETARY AND CONFIDENTIAL</b> THE INFORMATION CONTAINED IN THIS DRAWING IS THE SOLE PROPERTY OF HARDWARE RESOURCES INC. ANY REPRODUCTION IN PART OR AS A WHOLE WITHOUT THE WRITTEN PERMISSION OF HARDWARE RESOURCES INC. IS PROHIBITED.	TOLERANCE UNLESS OTHERWISE SPECIFIED: X: MM ±0.20 XX: MM ±0.10 XXX: MM ±0.05 ANGULAR: ±0.5° DO NOT SCALE DRAWING		UNIT: SIZE:	DRAWN BY: <i>alan.liu</i>	DATE:
				CHECKED BY:	DATE:
				APPROVED BY:	DATE:



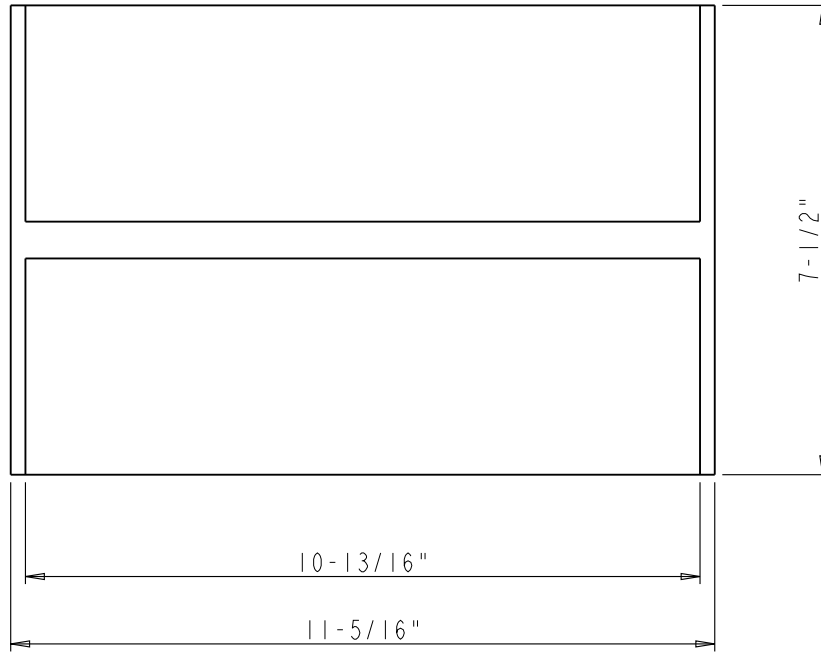
	ITEM#: SHELF-BOARD-FIXED-1		MATERIAL: PLY Wood		
	FINISH:		WEIGHT: 9		
<b>PROPRIETARY AND CONFIDENTIAL</b> THE INFORMATION CONTAINED IN THIS DRAWING IS THE SOLE PROPERTY OF HARDWARE RESOURCES INC. ANY REPRODUCTION IN PART OR AS A WHOLE WITHOUT THE WRITTEN PERMISSION OF HARDWARE RESOURCES INC. IS PROHIBITED.	TOLERANCE UNLESS OTHERWISE SPECIFIED: X: MM ±0.20 XX: MM ±0.10 XXX: MM ±0.05 ANGULAR: ±0.5° DO NOT SCALE DRAWING		UNIT: SIZE:	DRAWN BY: <i>alan.liu</i>	DATE:
				CHECKED BY:	DATE:
				APPROVED BY:	DATE:



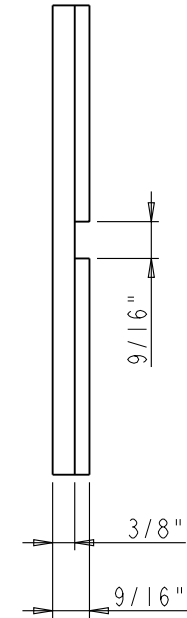


	ITEM#: SHELF-BOARD-FIXED-2		MATERIAL: PLY Wood		
	FINISH:		WEIGHT: 9		
<b>PROPRIETARY AND CONFIDENTIAL</b> THE INFORMATION CONTAINED IN THIS DRAWING IS THE SOLE PROPERTY OF HARDWARE RESOURCES INC. ANY REPRODUCTION IN PART OR AS A WHOLE WITHOUT THE WRITTEN PERMISSION OF HARDWARE RESOURCES INC. IS PROHIBITED.	TOLERANCE UNLESS OTHERWISE SPECIFIED: X : MM $\pm 0.20$ X.X : MM $\pm 0.10$ X.XX : MM $\pm 0.05$ ANGULAR: $\pm 0.5^\circ$ DO NOT SCALE DRAWING		UNIT:	DRAWN BY: <i>alan.liu</i>	DATE:
	SIZE:	CHECKED BY:	APPROVED BY:	DATE:	DATE:
	PROJECTION:				

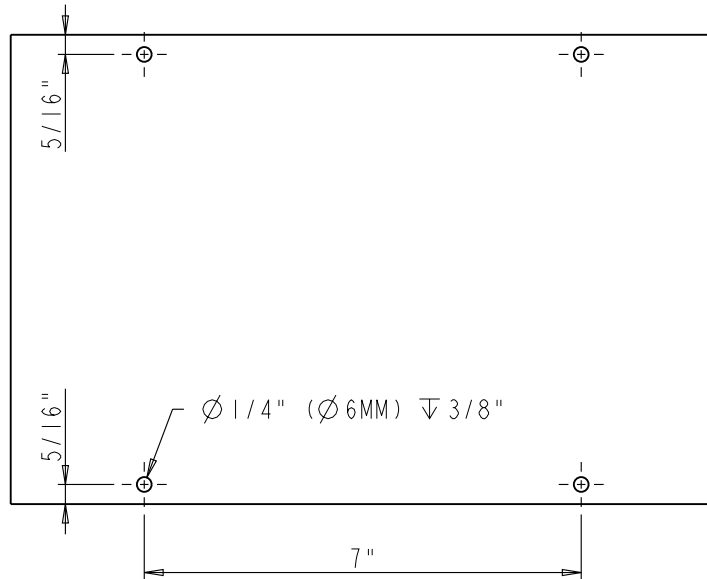




FRONT VIEW

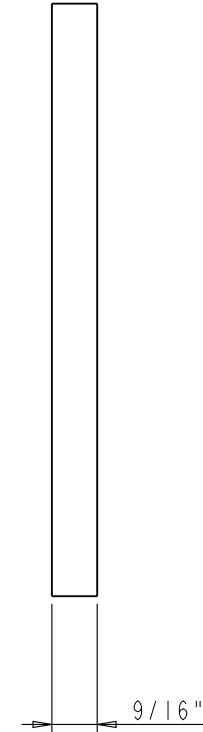
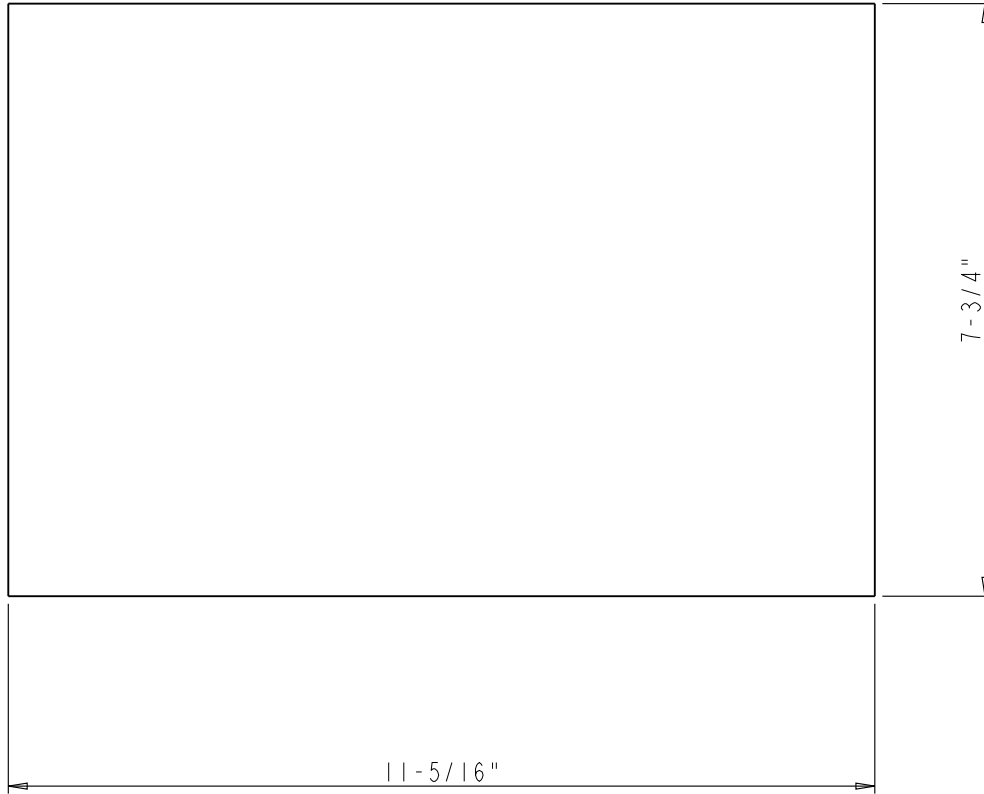


SIDE VIEW

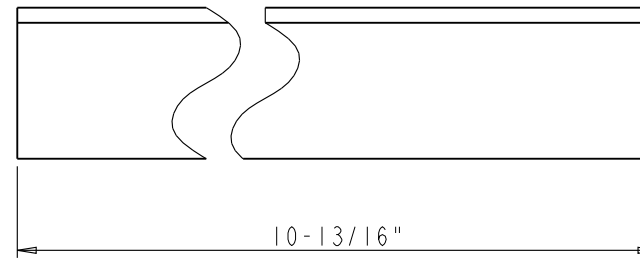
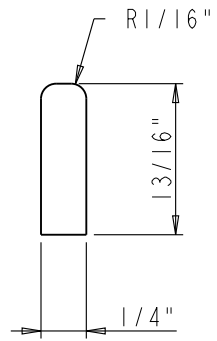



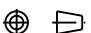
REAR VIEW

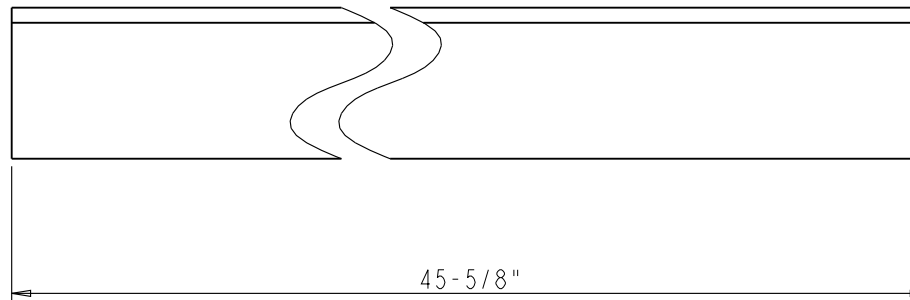
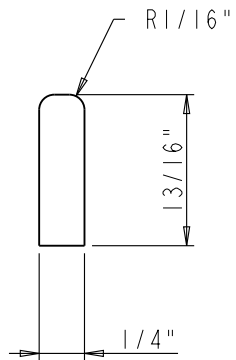
	ITEM: SHELF-BOARD-FIXED-3		MATERIAL:		
	FINISH:		WEIGHT: 9		
<b>PROPRIETARY AND CONFIDENTIAL</b> THE INFORMATION CONTAINED IN THIS DRAWING IS THE SOLE PROPERTY OF HARDWARE RESOURCES INC. ANY REPRODUCTION IN PART OR AS A WHOLE WITHOUT THE WRITTEN PERMISSION OF HARDWARE RESOURCES INC. IS PROHIBITED.	TOLERANCE UNLESS OTHERWISE SPECIFIED: X : MM ±0.20 XX : MM ±0.10 XXX : MM ±0.05 ANGULAR: ±0.5° DO NOT SCALE DRAWING		UNIT:	DRAWN BY: <i>alan.liu</i>	DATE:
	SIZE:	CHECKED BY:	DATE:		
	APPROVED BY:		DATE:		
	PROJECTION:				


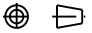


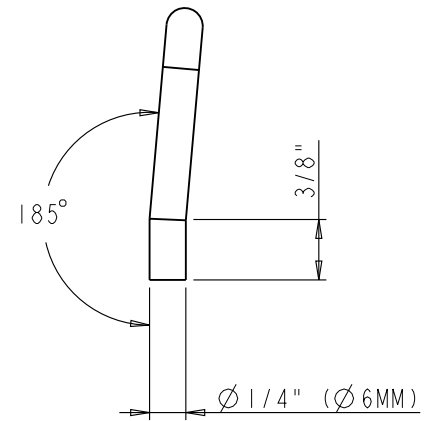
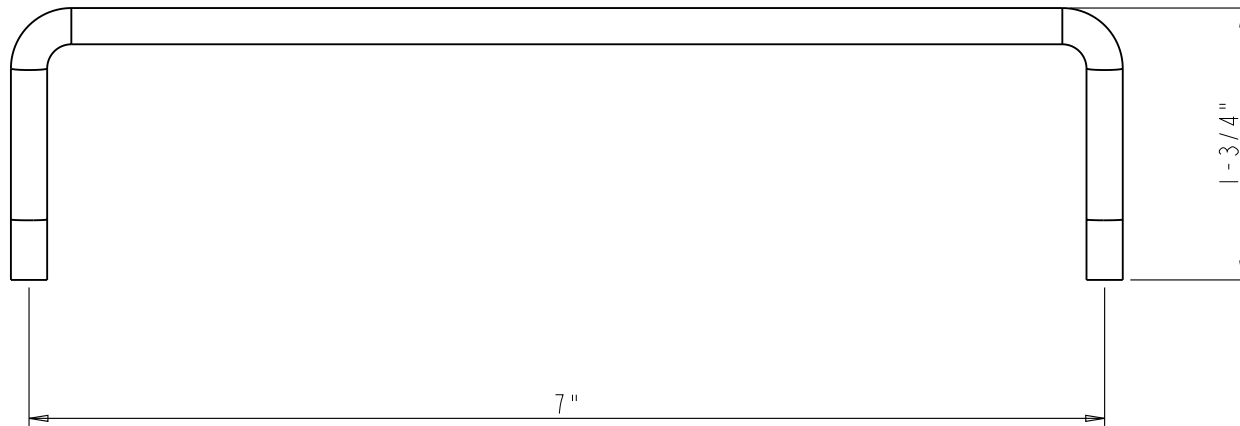
	ITEM: SEPERATED-BOARD		MATERIAL: PLY Wood		
	FINISH:		WEIGHT: 9		
<b>PROPRIETARY AND CONFIDENTIAL</b> THE INFORMATION CONTAINED IN THIS DRAWING IS THE SOLE PROPERTY OF HARDWARE RESOURCES INC. ANY REPRODUCTION IN PART OR AS A WHOLE WITHOUT THE WRITTEN PERMISSION OF HARDWARE RESOURCES INC. IS PROHIBITED.	TOLERANCE UNLESS OTHERWISE SPECIFIED: X : MM ±0.20 X.X : MM ±0.10 X.XX : MM ±0.05 ANGULAR: ±0.5° DO NOT SCALE DRAWING		UNIT: SIZE:	DRAWN BY: <i>alan.liu</i>	DATE:
				CHECKED BY:	DATE:
				APPROVED BY:	DATE:



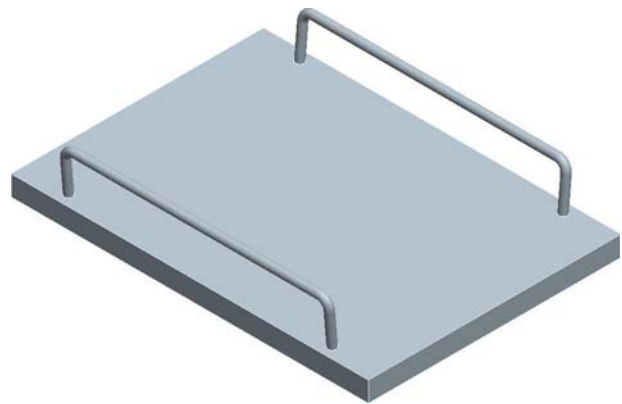
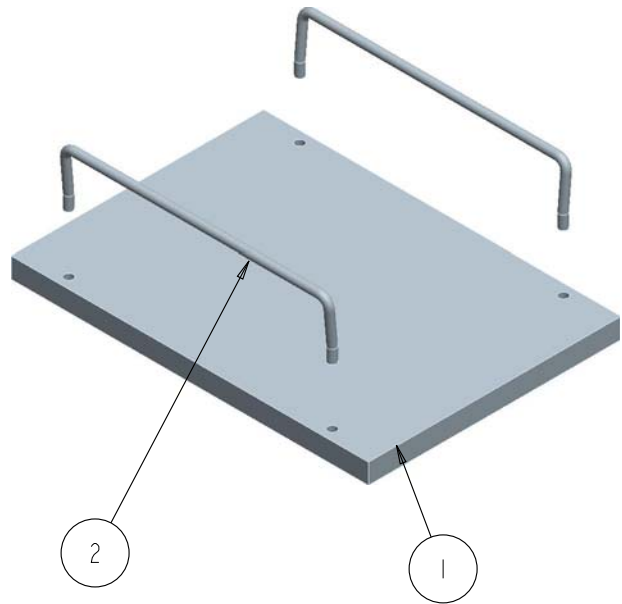
	ITEM: DECO-BAR-HORIZON		MATERIAL: Maple		
	FINISH:		WEIGHT: g		
<b>PROPRIETARY AND CONFIDENTIAL</b> THE INFORMATION CONTAINED IN THIS DRAWING IS THE SOLE PROPERTY OF HARDWARE RESOURCES INC. ANY REPRODUCTION IN PART OR AS A WHOLE WITHOUT THE WRITTEN PERMISSION OF HARDWARE RESOURCES INC. IS PROHIBITED.	TOLERANCE UNLESS OTHERWISE SPECIFIED: X : MM $\pm 0.20$ X.X : MM $\pm 0.10$ X.XX : MM $\pm 0.05$ ANGULAR: $\pm 0.5^\circ$ DO NOT SCALE DRAWING		UNIT:	DRAWN BY: <i>alan.liu</i>	DATE:
	SIZE:	CHECKED BY:	DATE:		
	APPROVED BY:		DATE:		
	PROJECTION: 				



 <b>hardware resources</b>	<b>ITEM:</b> DECO-BAR-VERTICAL		<b>MATERIAL:</b> Maple		
	<b>FINISH:</b>		<b>WEIGHT:</b> g		
<b>PROPRIETARY AND CONFIDENTIAL</b> THE INFORMATION CONTAINED IN THIS DRAWING IS THE SOLE PROPERTY OF HARDWARE RESOURCES INC. ANY REPRODUCTION IN PART OR AS A WHOLE WITHOUT THE WRITTEN PERMISSION OF HARDWARE RESOURCES INC. IS PROHIBITED.	<b>TOLERANCE UNLESS OTHERWISE SPECIFIED:</b> X : MM ±0.20 X.X : MM ±0.10 X.XX : MM ±0.05 ANGULAR: ±0.5° DO NOT SCALE DRAWING		<b>UNIT:</b>	<b>DRAWN BY:</b> <i>alan.liu</i>	<b>DATE:</b>
	<b>SIZE:</b>	<b>CHECKED BY:</b>	<b>DATE:</b>	<b>PROJECTION:</b> 	
	<b>APPROVED BY:</b>	<b>DATE:</b>			

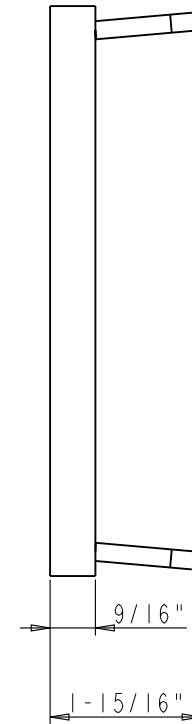
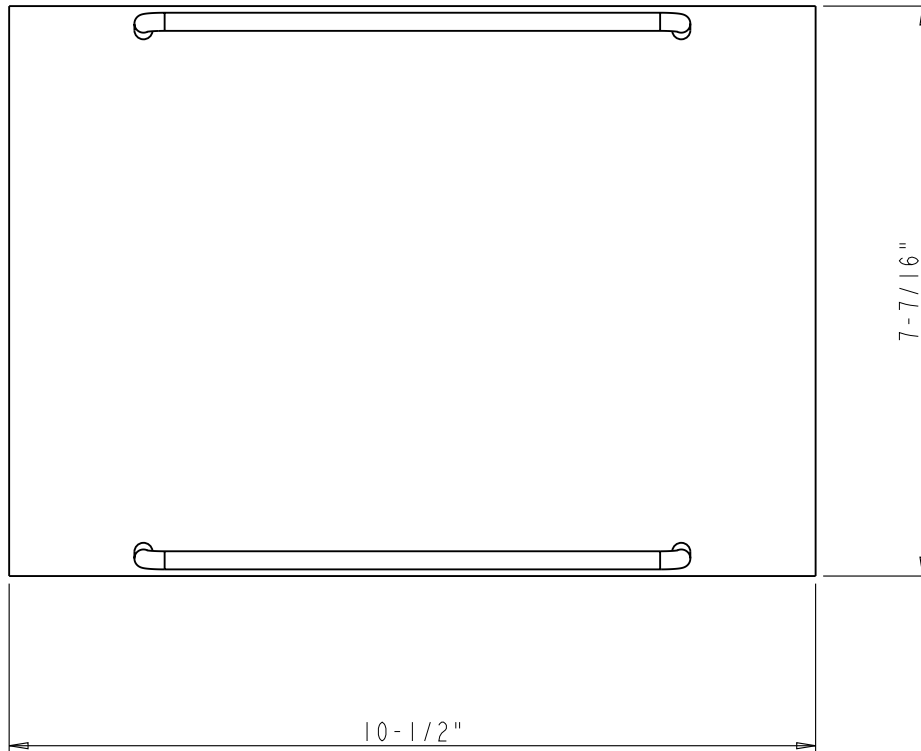


	ITEM: STICK		MATERIAL: STEEL		
	FINISH:		WEIGHT: 9		
<b>PROPRIETARY AND CONFIDENTIAL</b> THE INFORMATION CONTAINED IN THIS DRAWING IS THE SOLE PROPERTY OF HARDWARE RESOURCES INC. ANY REPRODUCTION IN PART OR AS A WHOLE WITHOUT THE WRITTEN PERMISSION OF HARDWARE RESOURCES INC. IS PROHIBITED.	TOLERANCE UNLESS OTHERWISE SPECIFIED: X : MM ±0.20 X.X : MM ±0.10 X.XX : MM ±0.05 ANGULAR: ±0.5° DO NOT SCALE DRAWING		UNIT: SIZE:	DRAWN BY: <i>alan.liu</i>	DATE:
				CHECKED BY:	DATE:
				APPROVED BY:	DATE:

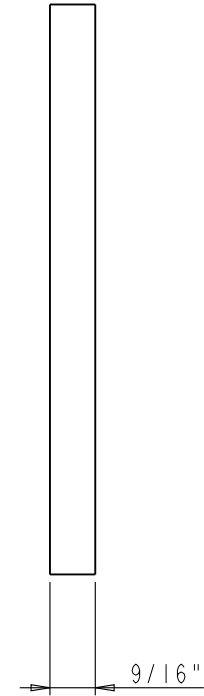
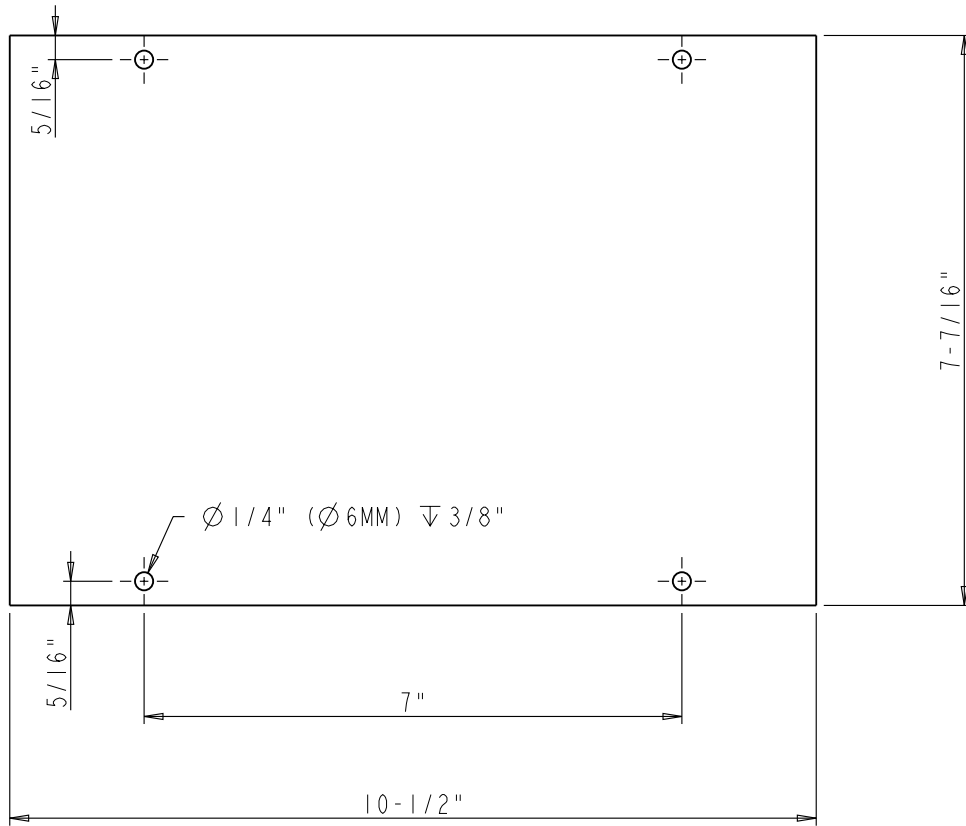


Bills of Material:

2	STICK	STEEL	2			PART	1
1	SHELF-BOARD-REMOVABLE	PLY Wood	1			PART	1
NO.	ITEM#	MATERIAL	QTY	UNIT	TOTLE	TYPE	ASSY LEVEL
				WEIGHT			
		ITEM#: REMOVABLE-SHELF		MATERIAL: Assembly			
PROPRIETARY AND CONFIDENTIAL THE INFORMATION CONTAINED IN THIS DRAWING IS THE SOLE PROPERTY OF HARDWARE RESOURCES INC. ANY REPRODUCTION IN PART OR AS A WHOLE WITHOUT THE WRITTEN PERMISSION OF HARDWARE RESOURCES INC. IS PROHIBITED.		FINISH:		WEIGHT: 9			
TOLERANCE UNLESS OTHERWISE SPECIFIED: X : MM ±0.20 X.X : MM ±0.10 X.XX : MM ±0.05 ANGULAR: ±0.5° DO NOT SCALE DRAWING		UNIT:	DRAWN BY:	DATE:			
		SIZE:	CHECKED BY:	DATE:			
			APPROVED BY:	DATE:			

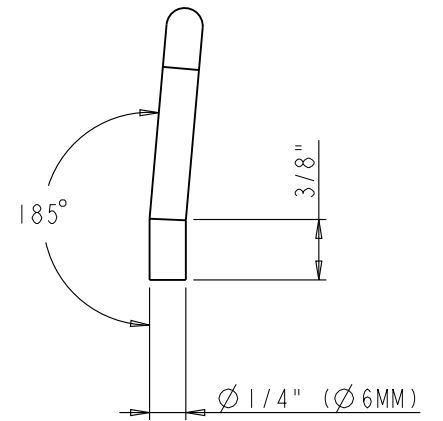



	ITEM#: REMOVABLE-SHELF		MATERIAL:		
	FINISH:		WEIGHT: 9		
<b>PROPRIETARY AND CONFIDENTIAL</b> THE INFORMATION CONTAINED IN THIS DRAWING IS THE SOLE PROPERTY OF HARDWARE RESOURCES INC. ANY REPRODUCTION IN PART OR AS A WHOLE WITHOUT THE WRITTEN PERMISSION OF HARDWARE RESOURCES INC. IS PROHIBITED.	TOLERANCE UNLESS OTHERWISE SPECIFIED: X : MM ±0.20 X.X : MM ±0.10 X.XX : MM ±0.05 ANGULAR: ±0.5° DO NOT SCALE DRAWING		UNIT:	DRAWN BY: <i>alan.liu</i>	DATE:
	SIZE:	CHECKED BY:	PROJECTION:		
	APPROVED BY:		DATE:		



	ITEM#: SHELF-BOARD-REMOVABLE		MATERIAL: PLY Wood		
	FINISH:		WEIGHT: 9		
<b>PROPRIETARY AND CONFIDENTIAL</b> THE INFORMATION CONTAINED IN THIS DRAWING IS THE SOLE PROPERTY OF HARDWARE RESOURCES INC. ANY REPRODUCTION IN PART OR AS A WHOLE WITHOUT THE WRITTEN PERMISSION OF HARDWARE RESOURCES INC. IS PROHIBITED.	TOLERANCE UNLESS OTHERWISE SPECIFIED: X : MM ±0.20 X.X : MM ±0.10 X.XX : MM ±0.05 ANGULAR: ±0.5° DO NOT SCALE DRAWING		UNIT:	DRAWN BY: <i>alan.liu</i>	DATE:
	SIZE:	CHECKED BY:	DATE:		
	APPROVED BY:		DATE:		
PROJECTION:					





	ITEM: STICK		MATERIAL: STEEL		
	FINISH:		WEIGHT: 9		
<b>PROPRIETARY AND CONFIDENTIAL</b> THE INFORMATION CONTAINED IN THIS DRAWING IS THE SOLE PROPERTY OF HARDWARE RESOURCES INC. ANY REPRODUCTION IN PART OR AS A WHOLE WITHOUT THE WRITTEN PERMISSION OF HARDWARE RESOURCES INC. IS PROHIBITED.	TOLERANCE UNLESS OTHERWISE SPECIFIED: X : MM ±0.20 X.X : MM ±0.10 X.XX : MM ±0.05 ANGULAR: ±0.5° DO NOT SCALE DRAWING		UNIT: SIZE:	DRAWN BY: <i>alan.liu</i>	DATE:
				CHECKED BY:	DATE:
				APPROVED BY:	DATE: