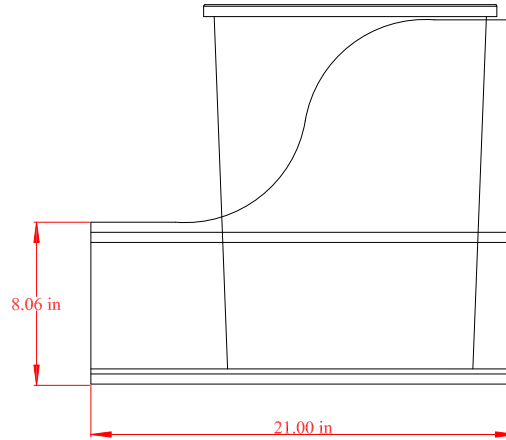
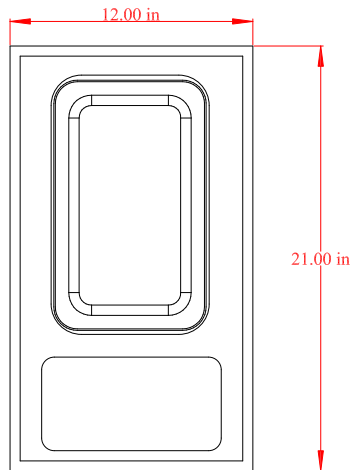


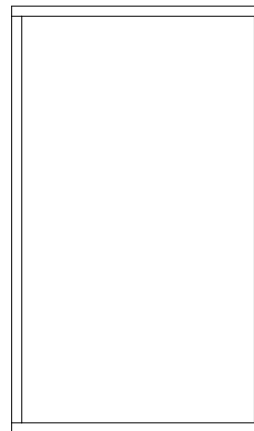
Front View 35 Qt



Side View 35 Qt



Top View



Bottom View

	ITEM#: CAN-WBMS35		MATERIAL:		
	FINISH:		WEIGHT:		
PROPRIETARY AND CONFIDENTIAL THE INFORMATION CONTAINED IN THIS DRAWING IS THE SOLE PROPERTY OF HARDWARE RESOURCES INC. ANY REPRODUCTION IN PART OR AS A WHOLE WITHOUT THE WRITTEN PERMISSION OF HARDWARE RESOURCES INC. IS PROHIBITED.	TOLERANCE UNLESS OTHERWISE SPECIFIED: X.XX: INCH ±0.01 X.XXX: INCH ±0.001 ANGULAR: ±3°		UNIT:	DRAWN BY:	DATE:
	DO NOT SCALE DRAWING		SIZE:	CHECKED BY:	DATE:
			APPROVED BY:	DATE:	
			PROJECTION:		