

Talis Select S
HighArc Kitchen Faucet, 2-Spray Pull-Out, 1.75 GPM
 Finishes : **chrome** Part no. : **72823001**



Description

Features

- Swivel range 110° / 150°
- Laminar spray, needle spray
- Toggle spray diverter
- Select button provides convenient start/stop of the water flow at the sprayhead
- MagFit magnetic sprayhead docking
- Single-hole installation
- Flow: 1.75 GPM (6.6 L/Min)
- Ceramic cartridge
- 3/8" hoses
- Integrated double backflow prevention

Item details

List Price \$ 661.00

Technology



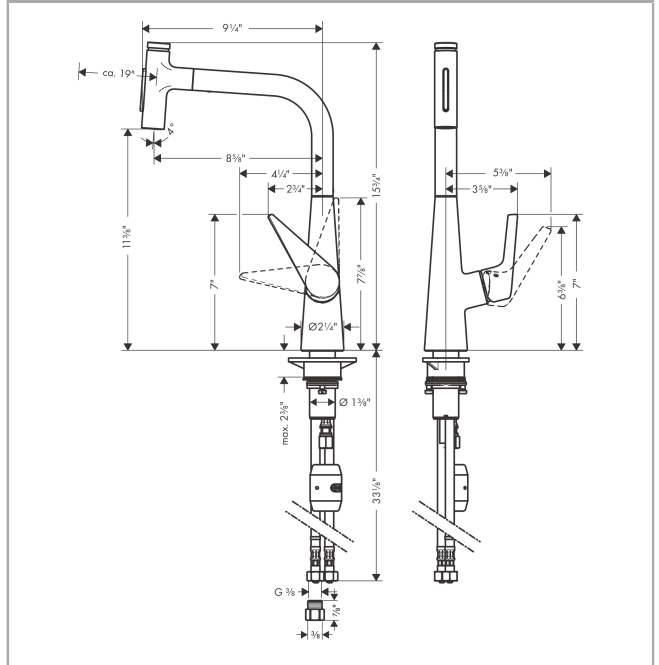
Compliance



Product image



Scale drawing

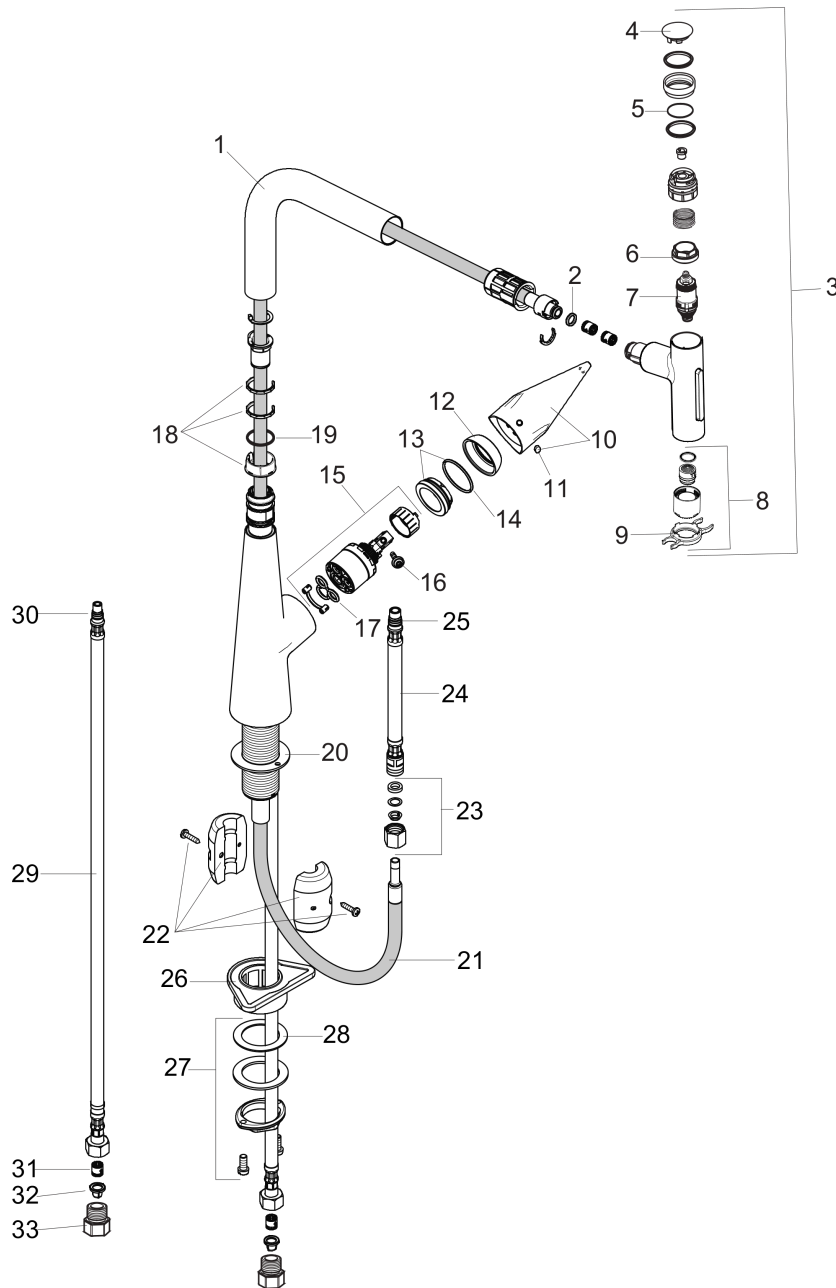


Talis Select S
HighArc Kitchen Faucet, 2-Spray Pull-Out, 1.75 GPM
 Finishes : **chrome** Part no. : **72823001**



Exploded drawing

Year of production: >07/19



Talis Select S

HighArc Kitchen Faucet, 2-Spray Pull-Out, 1.75 GPM

Finishes : **chrome** Part no. : **72823001**



Spare parts list

Year of production: >07/19

Pos.	Description	Part no.	Price	PU
1	spout cpl.	92583000	-	1
2	O-ring 8x2	98112000	-	1
3	handspray	93410001	-	1
4	cover	92566000	-	1
5	O-Ring 14x1,5	98201000	-	1
6	nut	92567000	-	1
7	shut off unit	98463000	-	1
8	spray former	93342000	-	1
9	service tool	95910000	-	1
10	handle	92581000	-	1
11	screw cover	96338000	-	1
12	flange	95498000	-	1
13	nut	97209000	-	1
14	O-Ring 32x2	98193000	-	1
15	cartridge, assy	92730000	-	1
16	locking screw for handle	95140000	-	1
17	seal	95008000	-	1
18	set of lever collars	98365000	-	1
19	O-ring 21x2,5	98211000	-	1
20	seal	92582000	-	1
21	hose 1,50 m	92569000	-	1
22	weight	92500000	-	1
23	squeezing connection	96099000	-	1
24	connection hose 600 mm M10x1	92568000	-	1
25	O-ring 8x1,75	97827000	-	1
26	support	97523000	-	1
27	fixing set (Ø 34)	95049000	-	1
28	lever collar	97548000	-	1
29	connection hose 900 mm M8x0,75 G3/8	95372000	-	1
30	O-ring 7x1,5	98422000	-	1
31	non return valve DW 10	96456000	-	1
32	filter packing	95291000	-	1
33	adapter for connection hose	88802000	-	1