




Information

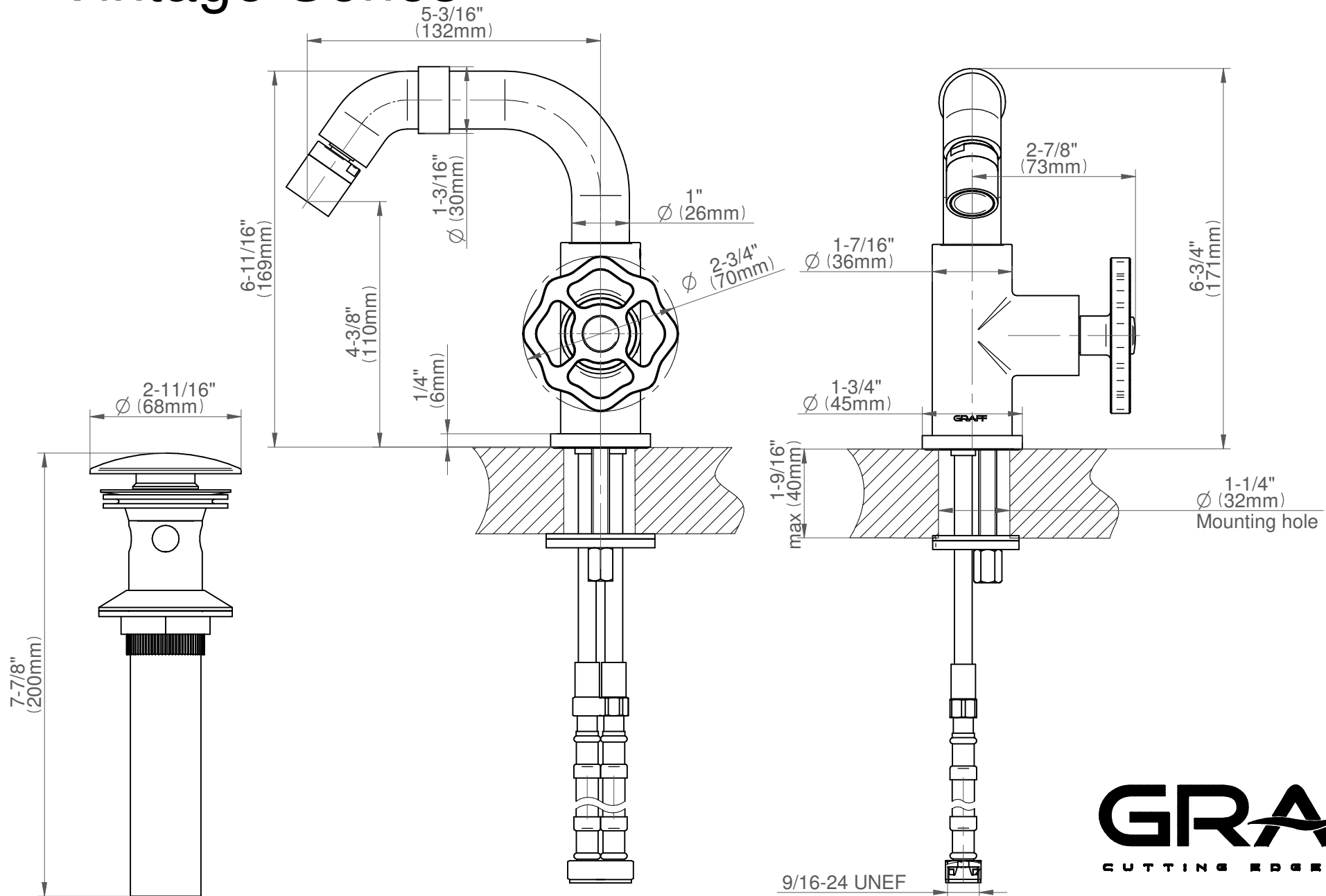
- Single hole installation
- Aerated flow rate ~2.2 gpm @60 psi
- Includes pop-up drain assembly with overflow

Finishes

							
24K Gold	24K Brushed Gold	24K Brushed Gold with Black Accents	Architectural Black™	Brushed Nickel	Gunmetal	Gunmetal Distressed	Matte Black
							
Olive Bronze	Polished Chrome	Polished Chrome with Black Accents	Polished Nickel	Polished Nickel with Black Accents	Unfinished Brass	Unfinished Brushed Brass	Vintage Brushed Brass
							
Architectural White							

G-11360-C18

Vintage Series



GRAFF[®]
CUTTING EDGE DESIGN