

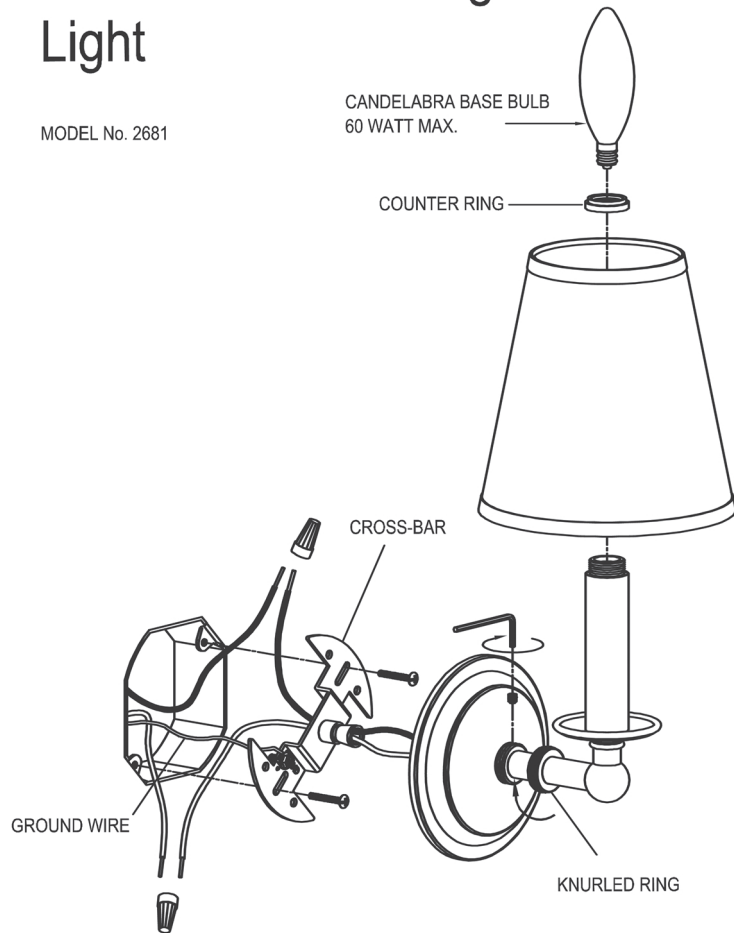
LONDON TERRACE®

SINGLE LIGHT INSTALLATION INSTRUCTIONS

Complement your purchase with other fine accessories from GINGER®.

London Terrace Single Light

MODEL No. 2681



INSTALLATION INSTRUCTIONS:

THESE LIGHTS SHOULD BE INSTALLED BY A LICENSED CONTRACTOR

POWER REQUIREMENTS: 120 VOLTS, 60 CYCLES

SAFETY: TO PREVENT ELECTRICAL SHOCK, BE SURE THAT THE POWER IS OFF BEFORE STARTING INSTALLATION.

INSTALLATION:

1. PROVIDE THE REQUIRED WIRING TO THE WALL ELECTRICAL BOX.
2. MOUNT CROSSBAR TO THE ELECTRICAL BOX. THE CROSSBAR SHOULD BE FLAT AGAINST THE WALL WITH THE SPINDLE FACING AWAY FROM THE WALL.
3. CONNECT HOUSE GROUND WIRE TO THE CROSSBAR WITH ATTACHED GROUNDING SCREW.
4. FEED THE FIXTURE WIRES THROUGH THE CENTER HOLE OF THE CROSS-BAR.
5. CONNECT THE WHITE WIRE OF THE FIXTURE TO THE HOUSE NEUTRAL WIRE WITH A WIRENUT.
6. CONNECT THE BLACK WIRE OF THE FIXTURE TO THE HOUSE HOT WIRE WITH A WIRENUT.
7. SLIDE THE FIXTURE OVER THE SPINDLE OF THE CROSSBAR UNTIL IT IS FLUSH AGAINST THE WALL. TAKE CARE WIRES ARE NOT PINCHED DURING THIS PROCESS. SECURE THE FIXTURE BY TIGHTENING THE SET SCREW ON THE TOP SIDE OF POST WITH PROVIDED WRENCH.
8. THREAD KNURLED RING ONTO POST. THE SET SCREW SHOULD NOT BE VISIBLE.
9. REMOVE COUNTER RING FROM TOP OF CANDLE TUBE AND INSTALL SHADE.
10. THREAD COUNTER RING ONTO LAMPHOLDER TO SECURING SHADE.
11. INSTALL BULB.

GINGER
Luxury For Your Lifestyle™

2001 CARNEGIE AVENUE
SANTA ANA, CA 92705
949-417-5207
www.gingerco.com