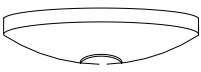
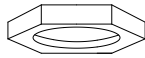
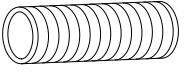

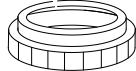
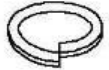
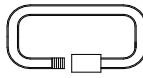
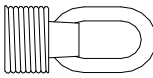
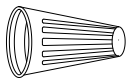
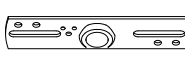
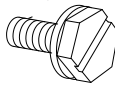
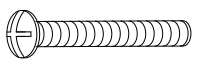



Notice: Please review the parts listing and check for all parts before assembling the fixture. If any parts are missing or damaged, please note on this sheet and contact the place of purchase to arrange for replacement parts.

PARTS LIST

Company Name: _____ Co. Account #: _____
to be filled out by retailer

Canopy 1 ea 5.2"DIA*1.1"		Hex Nut 2ea 3/8"*H3mm		Nipple 1ea 3/8"*H45mm	
Chain 1 ea 6FT*Φ3.8mm		Threaded Ring 1ea Φ23-16T*H5mm		Spring Washer 1ea Φ15*H3mm	
Chain Connector 2 ea Φ4*H55mm		Screw Collar Loop 1ea 3/8"*H42.4mm		Wire Connectors 3 ea P3	
Mounting Strap 1 ea 3/4"*1"		Green Ground Screw 1 ea #8-32N*H10mm		Junction Box Screw 2 ea #8-32N"*H25mm	
Top Loop 1 ea 3/8"IP*H58mm					
Part Needed _____				Quantity _____	
Part Needed _____				Quantity _____	
Reason why _____	(missing, scratched, broken glass, bent, bad finish)				
Comments _____					

FIXTURE ASSEMBLY INSTRUCTIONS

Read and review installation instruction sheet before assembling the fixture.

1. Feed the fixture wires through the Top Loop (J)

and pull the fixture wires until taut.

2. Thread the Center Nipple (L) to the coupler on the

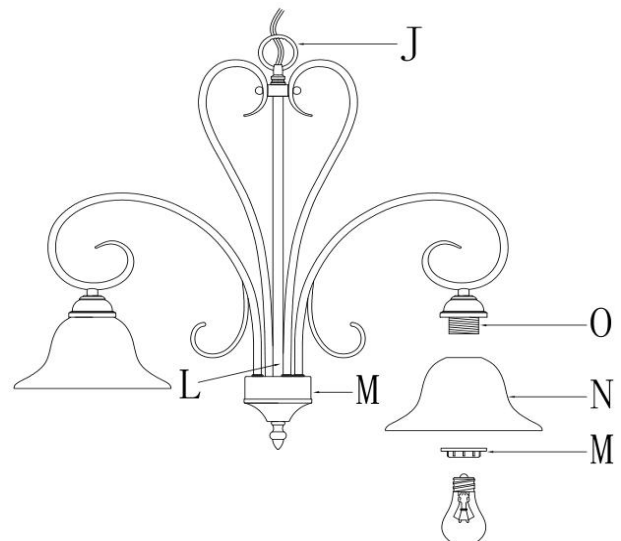
Fixture (K).

NOTE: INSTALL THE GLASS ASSEMBLY AFTER

THE FIXTURE IS HUNG!!

8606-D5 BLK/PW

Fig. 1



PARTS & ASSEMBLY SHEET

Fixture Name: Homestead 8606-D5 BLK/PW

4. Slide Center Ring (H) up to the center of Arms (C) against the Steel Clip (G).

5. Fold the Steel Clip (G) carefully around the Center Ring (H) to lock tightly to the frame.

NOTE: The Steel Clip is made of a flexible metal and will be bent under hand pressure. Use care, repeated folding up and down may cause the metal clip to break.

6. By measuring determine correct number of links needed for proper hanging height. Use a pair of pliers to open one link of the Chain (C2) then remove the excess Chain (C2) and discard it.

7. Use one Chain Connector *E2) to attach one end of the chain to the Top Loop (D2) and close the Chain Connector (E2)

8. Feed the fixture wires through the Chain (every three links) and pull the wires until taut.

9. Slip Canopy Loop Collar (B2) over the chain, then do the same with the Canopy (F2).

10. When ready to complete the installation, Use the other chain connector and attach the other end of the chain to the Canopy Loop (A2) and close the chain connector.

11. Feed the wires through Canopy Loop (F) and Nipple (C) and pull until taut.

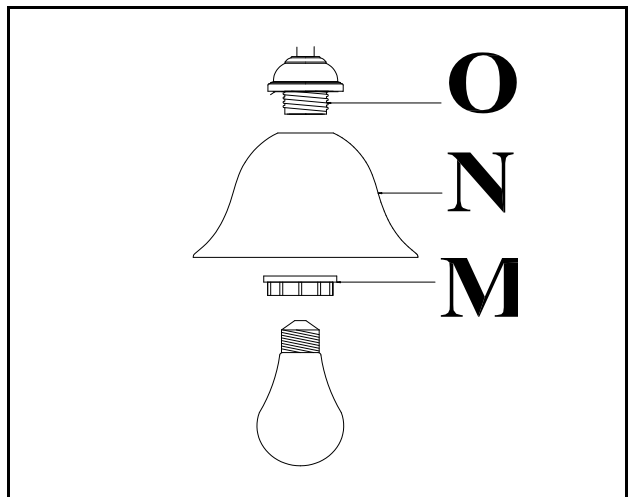
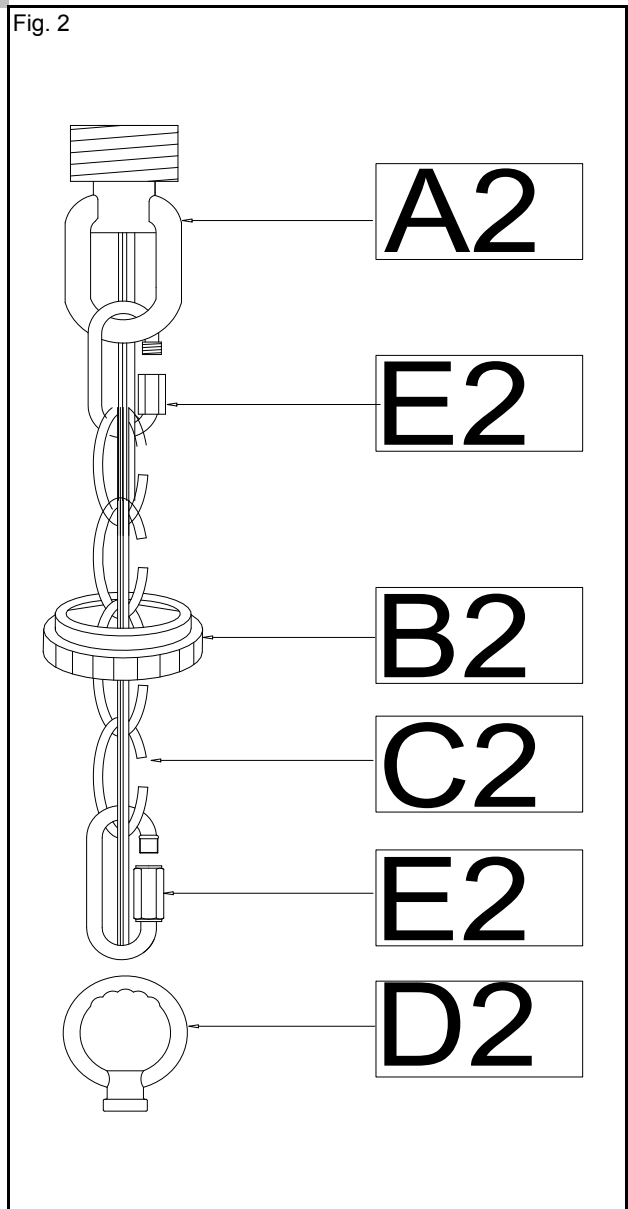
* You may now install the fixture.

12. Install the light bulbs in accordance with the fixture's specifications.

13. Place the Glass Shade (N) over Socket (O) and tighten Glass Shade (N) by threading Socket Ring (M) to Socket (O).

(DO NOT EXCEED THE MAXIMUM WATTAGE RATING)

Fig. 2



For Customer Service, contact the place of purchase to arrange for replacement parts.