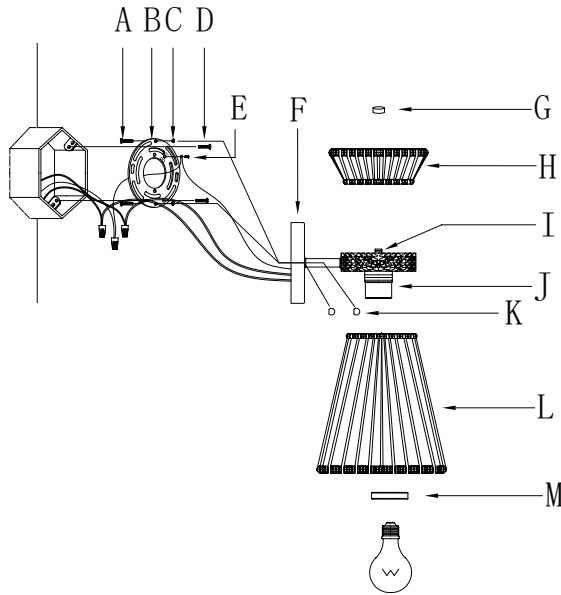


Assembly Instructions: 6938-1W

IMPORTANT:

- ALL INSTALLATION WORK SHOULD BE DONE BY ACCREDITED PROFESSIONAL.
- SHUT OFF POWER SUPPLY AT FUSE OR CIRCUIT BREAKER!
- USE ONLY THE SPECIFIED BULBS. DO NOT EXCEED THE MAXIMUM WATTAGE!

For Customer Service, contact the place of purchase to arrange for replacement parts.



PREPARING FOR INSTALLATION

Remove all of the contents from the carton. See the important notes above. Shut off the power at the circuit breaker and completely remove the old fixture from the wall, including the old mounting strap.

1. From the parts bag remove the mounting strap (B) assembly. Mounting strap (B) contains several threaded holes, find the pair of holes that matches the spacing of the holes on the junction box. Two sets of mounting screws (A & D) should be attached to mounting strap (B). You may need to tighten nuts (C) that hold mounting screws (A) in place. Place mounting strap (B) over the junction box. Secure mounting strap (B) to the junction box using mounting screws (D) and a screwdriver. Tighten the screws securely. Pull house wires for the center of the mounting strap.

| How to Identify the Fixture's Wires | | |
|-------------------------------------|--------------------|--|
| Hot | Neutral | Ground |
| Smooth | Ribbed | Bare Metal, Green, or Green Inner Thread |
| Black | White | |
| Black Inner Thread | White Inner Thread | |

CONNECTING THE WIRES

2. Have an assistant support the fixture's weight while completing the wiring. Refer to the wiring diagram and attach the fixture's wires to the power supply wires from the junction box. Connect Hot to Hot (transparent wire with black inner thread, black, or smooth wire) Neutral to Neutral (transparent wire with white inner thread, white, or ribbed wire), and Ground to Ground (transparent wire with green inner thread, green wire, or copper). Twist the ends of the wire pairs together, and then twist on a wire connector. Make sure all twists are in the same direction. If there is no house ground wire coming from the junction box, locate ground screw (E) on the mounting bracket/mounting strap and wrap the fixture's ground wire around the ground screw. Use a screwdriver to tighten the top of ground screw (E) onto the wires and into the mounting bracket/mounting strap. Tuck the wires into the junction box.

FINISHING THE INSTALLATION

3. Place backplate (F) over mounting strap (B) until mounting screws (A) protrude through holes in the front of the backplate (F). Thread deco nuts (K) onto mounting screws (A) . Twist deco nuts (K) until the backplate of the fixture is snug against the wall.
4. Carefully attached the top shade (H) onto the small nipple (I) and secure in place with small nut (G). Attach the bottom shade (L) to the thread found on socket cover (J). Secure bottom shade (L) using socket cover ring (M).

Install light bulb (not included) in accordance with the fixture's specifications. Do not exceed the maximum.

Your installation is now complete. Turn on the power and test the fixture.

CLEANING TIPS

Treat the fixture gently! Regular cleaning will reduce the need for deep cleaning. For regular cleaning, turn off the light and wipe down the fixture with a clean lint-free cotton or microfiber cloth. Never spray cleaner directly onto the fixture.