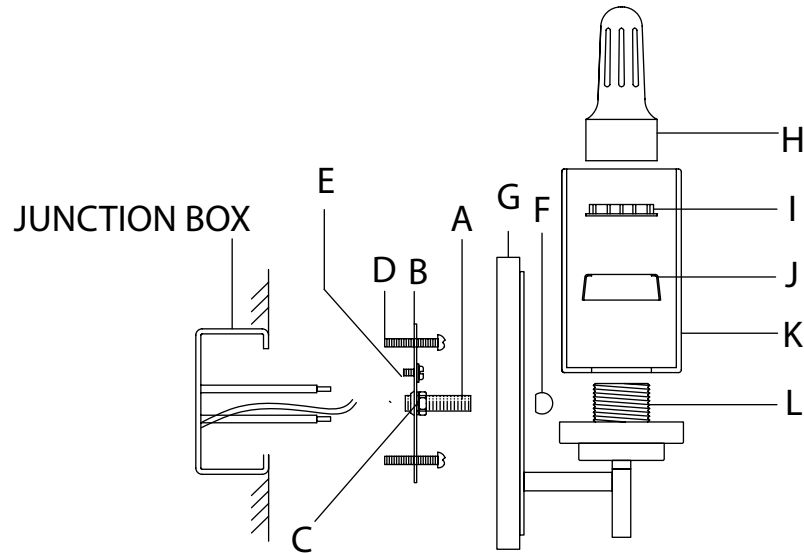
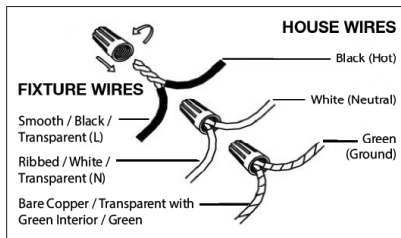


Assembly Instructions: 4444-BA1 (Nelio)

IMPORTANT:

- ALL INSTALLATION WORK SHOULD BE DONE BY ACCREDITED PROFESSIONAL.
- SHUT OFF POWER SUPPLY AT FUSE OR CIRCUIT BREAKER!
- USE ONLY THE SPECIFIED BULBS. DO NOT EXCEED THE MAXIMUM WATTAGE!

For Customer Service, contact the place of purchase.



PREPARING FOR INSTALLATION

Remove all of the contents from the carton. See the important notes above. Shut off the power at the circuit breaker and completely remove the old fixture from the wall, including the old mounting strap.

PREPARING FOR INSTALLATION

Remove all of the contents from the carton. See the important notes above. Shut off the power at the circuit breaker and completely remove the old fixture from the wall, including the old mounting strap. From the parts bag remove the mounting strap assembly. One end of nipple (F) should be attached to mounting strap (A) with hex nut (C) in place. The other end should have nipple (A) attached. Attach mounting strap (B) to the junction box using mounting screws (D) and a screwdriver. Pull the house wires through the center of mounting strap (B).

CONNECTING THE WIRES

Wrap or cut away any excess wires adding at least 2 to 3 inches of wire to the desired length. Attach the fixture's wires to the power supply wires from the junction box. Connect black to black (or smooth); white to white (or ribbed); ground to ground (green or copper). Twist the ends of the wire pairs together, and then twist on a wire connector. Make sure all twists are in the same direction. If there is no ground wire (green or copper) from the junction box, locate ground screw (E) on mounting strap (B) and wrap the fixture's ground wire around the green ground screw (E). Use a screwdriver to secure ground screw (E) onto the mounting bracket. Tuck all wires neatly into the junction box.

FINISHING THE INSTALLATION

Place the fixture's backplate (G) over nipple (A) so that it protrudes through the hole in the front of the backplate. Thread deco nut (F) onto nipple (A). Twist until the backplate of the fixture is snug against the wall.

Slide glass shades (H) over sockets (L) and use socket tool (H) to secure the glass in place with spacers (J) and socket rings (I).

Install light bulbs (not included) in accordance with the fixture's specifications. Do not exceed the maximum recommended wattage.

Your installation is now complete. Turn on the power and test the fixture.

CLEANING TIPS

Treat the fixture gently! Regular cleaning will reduce the need for deep cleaning. For regular cleaning, turn off the light and wipe down the fixture with a clean lint-free cotton or microfiber cloth. Never spray cleaner directly onto the fixture.