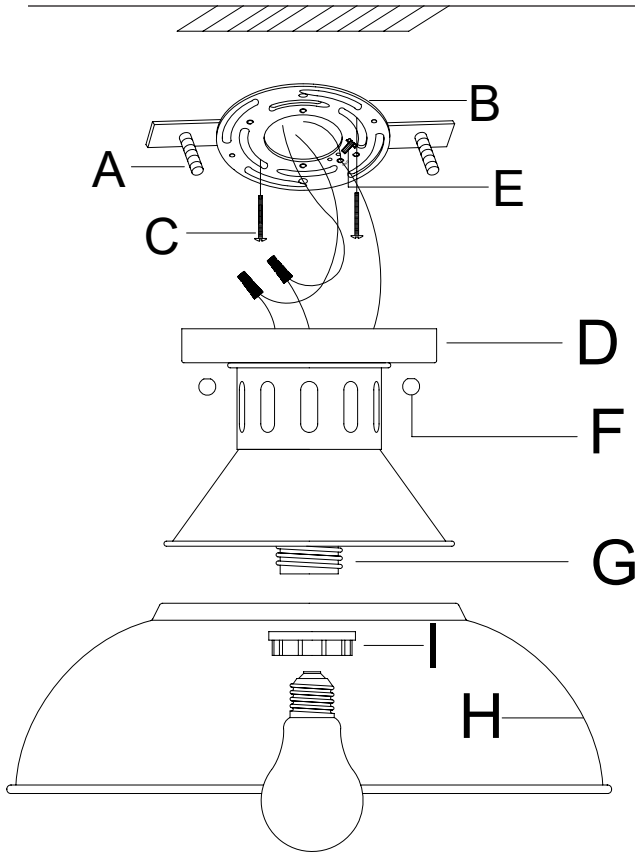


# Assembly Instructions: 0865-SF

## IMPORTANT:

- ALL INSTALLATION WORK SHOULD BE DONE BY ACCREDITED PROFESSIONAL.
- SHUT OFF POWER SUPPLY AT FUSE OR CIRCUIT BREAKER!
- USE ONLY THE SPECIFIED BULBS. DO NOT EXCEED THE MAXIMUM WATTAGE!

**For Customer Service, contact the place of purchase to arrange for replacement parts.**



## PREPARING FOR INSTALLATION

Remove all of the contents from the carton. See the important notes above. Shut off the power at the circuit breaker and completely remove the old fixture from the wall, including the old mounting strap.

1. Mounting strap (B) contains several pairs of threaded holes. Hold canopy (D) up to mounting strap (B). Line up the holes in canopy (D) with the holes in mounting strap (B) and insert mounting screws (A) into the side tabs on mounting strap (B) so that mounting screws (A) protrude through the holes in canopy (D). Mounting screws (A) are long, so please test the canopy against the mounting strap to see how far you should insert the screws. Remove the canopy (D) and set aside for later.
2. Place mounting strap (B) over the junction box and secure in place with mounting screws (C). Tighten the screws securely with a screwdriver. Pull the house wires through the center of mounting strap (B).

| How to Identify the Fixture's Wires |                    |  |
|-------------------------------------|--------------------|--|
| Hot                                 | Neutral            | Ground                                   |
| Smooth                              | Ribbed             | Bare Metal, Green, or Green Inner Thread |
| Black                               | White              |  |
| Black Inner Thread                  | White Inner Thread |  |

## CONNECTING THE WIRES

3. Have an assistant support the fixture's weight while completing the wiring. Refer to the wiring diagram and attach the fixture's wires to the power supply wires from the junction box. Connect Hot to Hot (transparent wire with black inner thread, black, or smooth wire) Neutral to Neutral (transparent wire with white inner thread, white, or ribbed wire), and Ground to Ground (transparent wire with green inner thread, green wire, or copper). Twist the ends of the wire pairs together, and then twist on a wire connector. Make sure all twists are in the same direction. If there is no house ground wire coming from the junction box, locate ground screw (E) on the mounting bracket/mounting strap and wrap the fixture's ground wire around the ground screw. Use a screwdriver to tighten the top of ground screw (E) onto the wires and into the mounting bracket/mounting strap. Tuck the wires into the junction box.

## FINISHING THE INSTALLATION

4. Push canopy (D) up to the ceiling and tightly thread nuts (F) onto the exposed threads of mounting screws (A) until the canopy is snug against the ceiling.
5. Slide metal shade (H) over socket (G). Secure the metal shade (H) in place using socket ring (I). Thread until secure.

Install light bulbs (not included) in accordance with the fixture's specifications. Do not exceed the maximum.

Your installation is now complete. Turn on the power and test the fixture.

## CLEANING TIPS

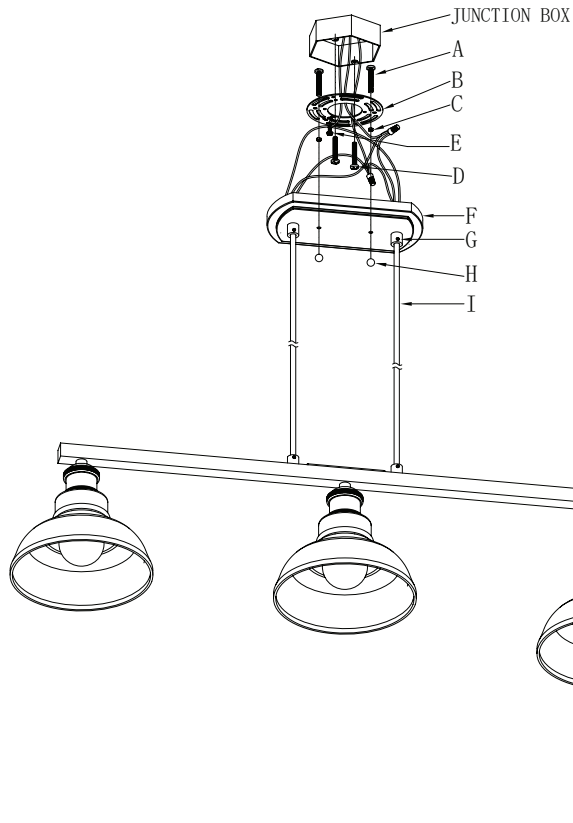
Treat the fixture gently! Regular cleaning will reduce the need for deep cleaning. For regular cleaning, turn off the light and wipe down the fixture with a clean lint-free cotton or microfiber cloth. Never spray cleaner directly onto the fixture.

# Assembly Instructions: 0305-LP

## IMPORTANT:

- ALL INSTALLATION WORK SHOULD BE DONE BY ACCREDITED PROFESSIONAL.
- SHUT OFF POWER SUPPLY AT FUSE OR CIRCUIT BREAKER!
- USE ONLY THE SPECIFIED BULBS. DO NOT EXCEED THE MAXIMUM WATTAGE!

**For Customer Service, contact the place of purchase to arrange for replacement parts.**



## PREPARING FOR INSTALLATION

**Remove all of the contents from the carton. See the important notes above. Shut off the power at the circuit breaker and completely remove the old fixture from the wall, including the old mounting strap.**

1. Mounting strap (B) contains several pairs of threaded holes. Find the pair of holes that matches the spacing of the holes on the junction box and the canopy. Two sets of mounting screws (A & D) should be attached to mounting strap (B). You may need to tighten nuts (C) which hold these screws in place. Pull the house wires through the center of mounting strap (B). Place mounting strap (B) over the junction box so that mounting screws (A) are vertical, and in alignment with the hole locations on canopy (F). Secure mounting screws (A) to mounting strap (B) with nuts (C). Secure mounting strap (B) to the junction box with mounting screws (D) and a screwdriver. Tighten the screws securely.

| How to Identify the Fixture's Wires |                    |  |
|-------------------------------------|--------------------|--|
| Hot                                 | Neutral            | Ground                                   |
| Smooth                              | Ribbed             | Bare Metal, Green, or Green Inner Thread |
| Black                               | White              |  |
| Black Inner Thread                  | White Inner Thread |  |

## ASSEMBLING THE FIXTURE

2. Thread cord (I) through swivels (G) of canopy (F). Measure to determine the desired overall height of your fixture and how much of cord (I) is needed to achieve the desired height. Add at least 8 to 10 inches to your desired length of cord (I) before using keyhole screws on swivels (G) to tighten and lock cord (I) into place. You may trim or wrap the excess cord.

## CONNECTING THE WIRES

3. Have an assistant support the fixture's weight while completing the wiring. Refer to the wiring diagram and attach the fixture's wires to the power supply wires from the junction box. Connect Hot to Hot (transparent wire with black inner thread, black, or smooth wire) Neutral to Neutral (transparent wire with white inner thread, white, or ribbed wire), and Ground to Ground (transparent wire with green inner thread, green wire, or copper). Twist the ends of the wire pairs together, and then twist on a wire connector. Make sure all twists are in the same direction. If there is no house ground wire coming from the junction box, locate ground screw (E) on the mounting bracket/mounting strap and wrap the fixture's ground wire around the ground screw. Use a screwdriver to tighten the top of ground screw (E) onto the wires and into the mounting bracket/mounting strap. Tuck the wires into the junction box.

## FINISHING THE INSTALLATION

4. Lift metal shades (K) up to sockets (J). Secure metal shades (K) to sockets (J) using socket rings (L) and tool provided (M) in the order shown in the above diagram.

Install light bulbs (not included) in accordance with the fixture's specifications. Do not exceed the maximum Your installation is now complete. Turn on the power and test the fixture.

## CLEANING TIPS

Treat the fixture gently! Regular cleaning will reduce the need for deep cleaning. For regular cleaning, turn off the light and wipe down the fixture with a clean lint-free cotton or microfiber cloth. Never spray cleaner directly onto the fixture.