



Features:

- Metal pop up drain
- Max deck thickness 2 7/16"
- Vandal proof
- Available in chrome only

Standards & Certifications:

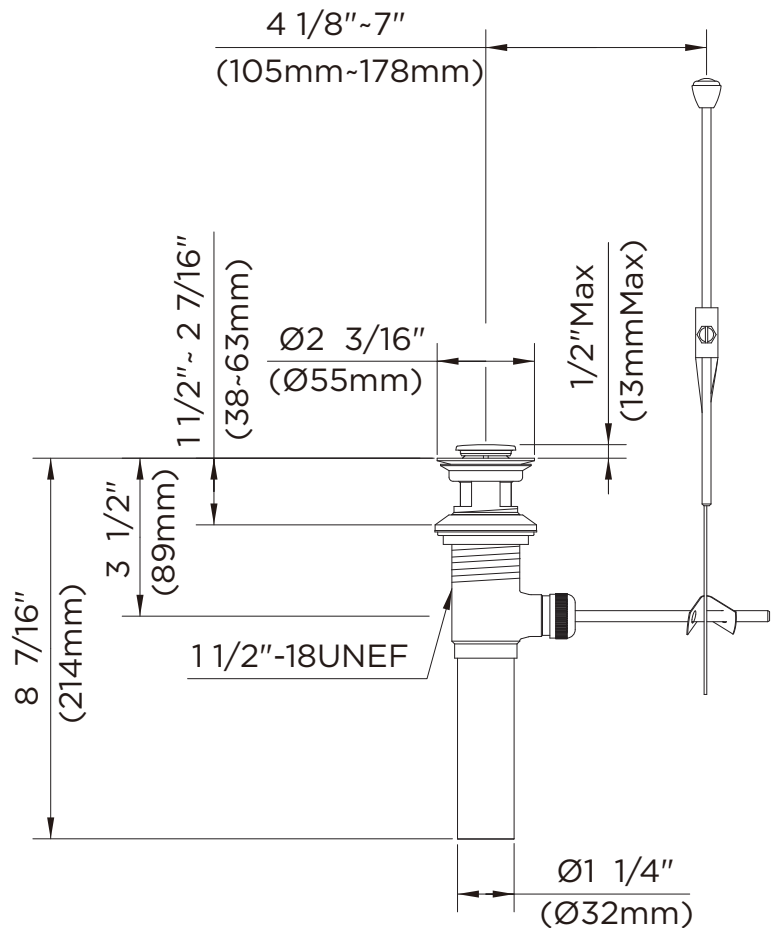
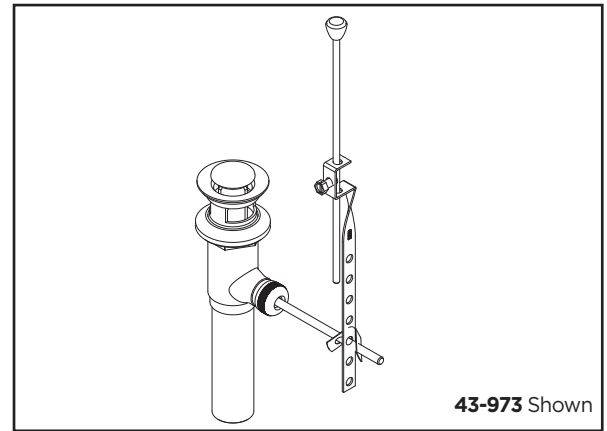
None

Catalog Numbers:

43-973 Chrome

Suffixes Available:

None



Job Name	
Date	
Model Specified	
Quantity	
Customer	
Contractor	
Architect/engineer	