



**Florestone  
Model 6032TS-3W  
Tub/ Shower**

60" X 31½" X 74"  
Weight: 128 lbs.

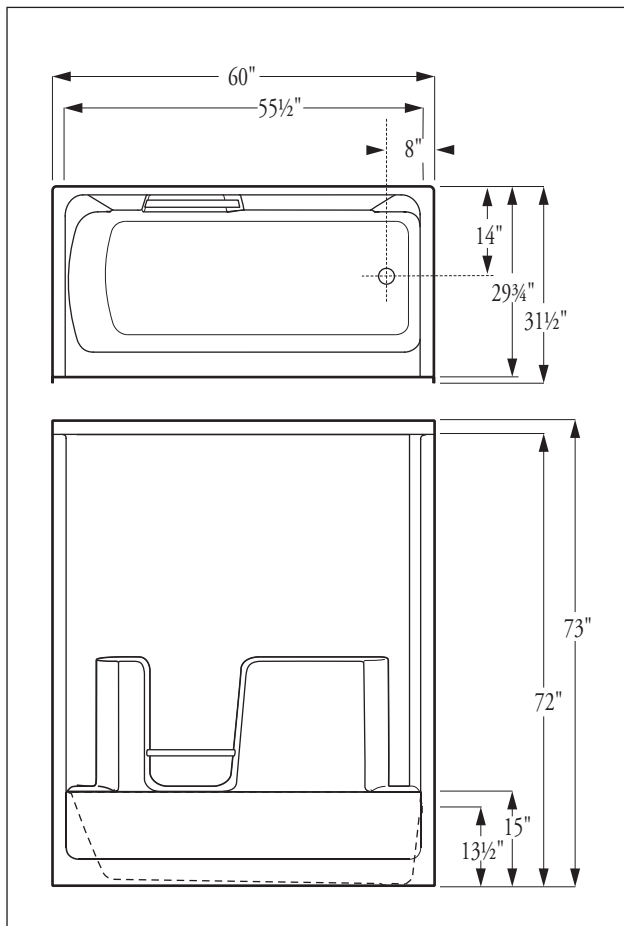
**Architect's  
Specifications**

Furnish and install one piece tub/shower unit Model 603218-3W as manufactured by Florestone Products Company. Unit to be manufactured of gel-coated fiberglass meeting Class C Flame Retardance and to be supplied with slip-resistant floor laminated for extra rigidity. Color will be white (unless otherwise specified).

Specify RH or LH drain.

Standard Color: White.

Standard feature: Acrylic Towel Bar.



Bathing Area 53 x 21½ x 11½

**Dimensions may vary ± ¼" inch.  
Please check unit before installation.**

**Optional Colors**

Colors matching most major manufacturers' colors are available.

**Standards**

I.A.R.M.O. Listed  
File 0687  
ANSI-Z-124.2



**FLORESTONE PRODUCTS CO., INC.**

2851 Falcon Drive • Madera, CA 93637

T. 559.661.4171 • T. 800.446.8827

F. 559.661.2070 • florestone.com