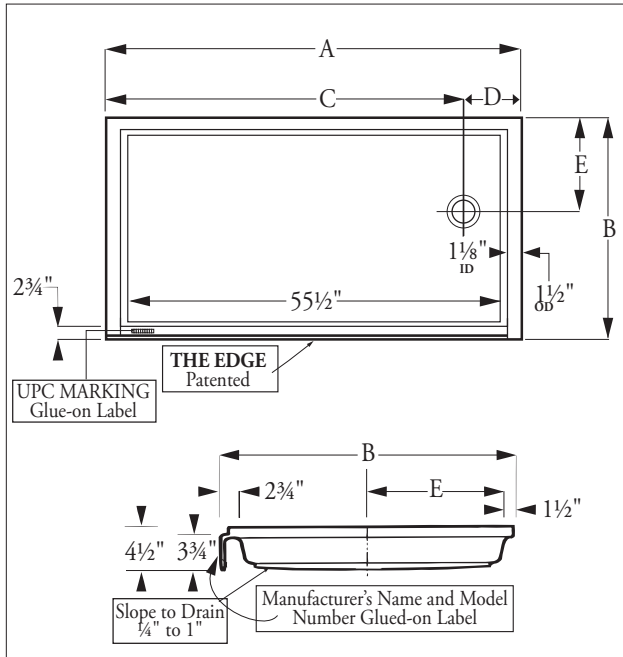




One piece, single threshold model for recessed installation. Features 1" flange on three remaining sides.

Specify RH or LH Drain



One piece, single threshold model for recessed installation. Features 1" flange on three remaining sides. End drain.

MOLDED FIBERGLASS END-DRAIN SHOWER RECEPTORS

Model	A	B	C	D	E	WT.
3060F	60"	30"	52"	8"	15"	45
3260F	60"	32"	52"	8"	15"	45
3460F	60 1/4"	34"	52"	8"	15"	60
3660F	60 1/4"	36"	52"	8"	15"	64

Standards:

I.A.P.M.O. International Association of Plumbing and Mechanical Officials
File No. 0687.
ANSI American National Standards Institute - Specifications Z-124.2.



Florestone Molded Fiberglass Off-Set Drain Shower Receptor with THE EDGE

Architect's Specifications

Furnish and install molded fiberglass one piece shower unit manufactured by Florestone Products Company. Unit to be manufactured of gel-coated fiberglass and to be supplied with slip-resistant floor laminated for extra rigidity. Color will be white (unless otherwise specified). Unit to be supplied with a 2" PNC non-caulk drain

Colors

Standard Color: White

Optional Colors: Almond, Biscuit, Bone and Special Granite Colors.

Color matching most major manufacturers' colors available.

Accessories

Strainer, Chrome

Strainer, Plastic

Repair Kit.

Dimensions may vary $\pm 1/4$ " inch. Please check unit before installation.

Place receptor on a bed of mortar or plaster for warranty compliance.

Dimensions subject to change without notice. Contact Florestone Products to verify product specifications.



FLORESTONE PRODUCTS CO., INC.

2851 Falcon Drive • Madera, CA 93637

T. 559.661.4171 • T. 800.446.8827

F. 559.661.2070 • florestone.com