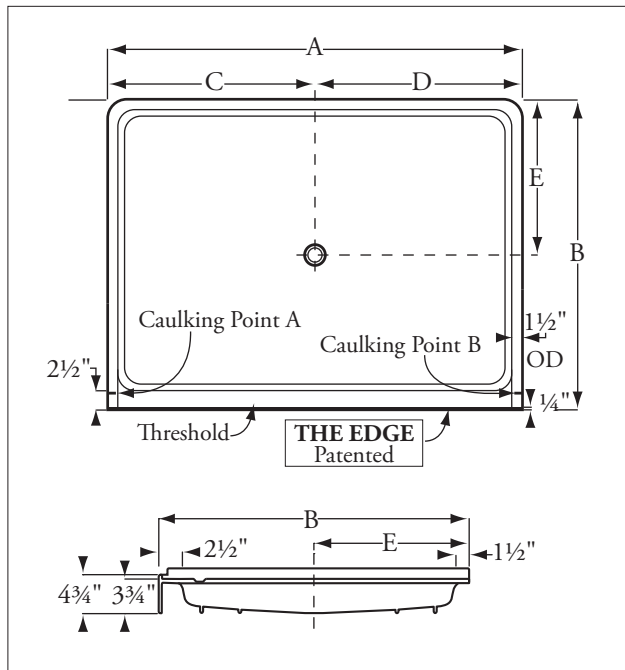




One piece, single threshold model for recessed installation. Features 1" flange on three remaining sides. Center drain.



Model	A	B	C	D	E	WT.
3672F	72 $\frac{1}{4}$ "	36"	36 $\frac{1}{8}$ "	36 $\frac{1}{8}$ "	18"	80
3860F	60 $\frac{1}{4}$ "	38"	30 $\frac{1}{8}$ "	30 $\frac{1}{8}$ "	19"	75
4260F	59 $\frac{3}{4}$ "	41 $\frac{1}{2}$ "	30"	30"	20 $\frac{3}{4}$ "	80
4272F	72 $\frac{1}{4}$ "	42"	36 $\frac{1}{8}$ "	36 $\frac{1}{8}$ "	21"	104
4860F	60 $\frac{1}{4}$ "	48"	30 $\frac{1}{8}$ "	30 $\frac{1}{8}$ "	24"	90
4872F	72 $\frac{1}{4}$ "	48"	36 $\frac{1}{8}$ "	36 $\frac{1}{8}$ "	24"	116
6042F	42 $\frac{1}{4}$ "	60"	21 $\frac{1}{8}$ "	21 $\frac{1}{8}$ "	30"	80
6060F	60 $\frac{1}{4}$ "	60"	30 $\frac{1}{8}$ "	30 $\frac{1}{8}$ "	30"	116

Standards:

I.A.P.M.O. International Association of Plumbing and Mechanical Officials
File No. 0687.
ANSI American National Standards Institute - Specifications Z-124.2.



Florestone Grand Luxury Line Shower Receptors with THE EDGE

Architect's Specifications

Furnish and install molded fiberglass one piece shower unit manufactured by Florestone Products Company. Unit to be manufactured of gel-coated fiberglass and to be supplied with slip-resistant floor laminated for extra rigidity. Color will be white (unless otherwise specified). Unit to be supplied with a 2" PNC non-caulk drain

Colors

Standard Color: White
Optional Colors: Almond, Biscuit, Bone and Special Granite Colors.
Color matching most major manufacturers' colors available.

Accessories

Strainer, Chrome
Strainer, Plastic
Repair Kit.

**Dimensions may vary \pm 1/4" inch.
Please check unit before installation.
Place receptor on a bed of mortar or plaster for warranty compliance.**

**Dimensions subject to change without notice.
Contact Florestone Products to verify product specifications.**



FLORESTONE PRODUCTS CO., INC.

2851 Falcon Drive • Madera, CA 93637

T. 559.661.4171 • T. 800.446.8827

F. 559.661.2070 • florestone.com