

APPLICATION:

PRODUCT NAME:
CLOSE NIPPLE 1/2

JOB NAME:

MODEL:
 2200-0000 CLOSE NIPPLE 1/2

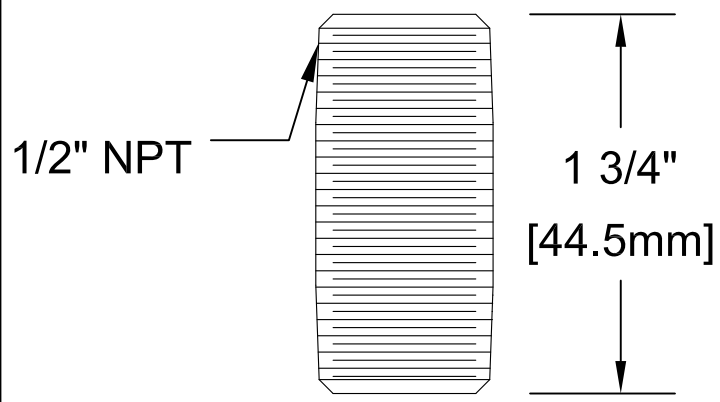
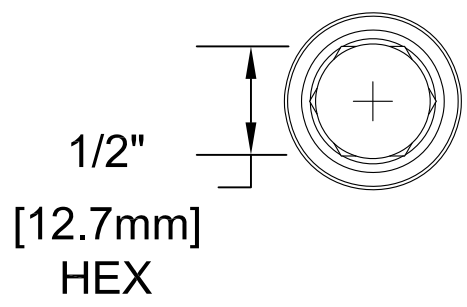
QUANTITY:

ITEM NO.:

OPTIONS OR MODIFICATIONS:
 OTHER _____

FEATURES:

SHIPPING WEIGHT
* 0.5 LBS



FISHER MANUFACTURING COMPANY
 TOLL FREE: 800-421-6162 - FAX: 800-832-8238
 information@fisher-mfg.com - www.fisher-mfg.com