



FISHER MANUFACTURING COMPANY TOLL FREE: 800-421-6162 - FAX: 800-832-8238
 customer@fisher-mfg.com - www.fisher-mfg.com

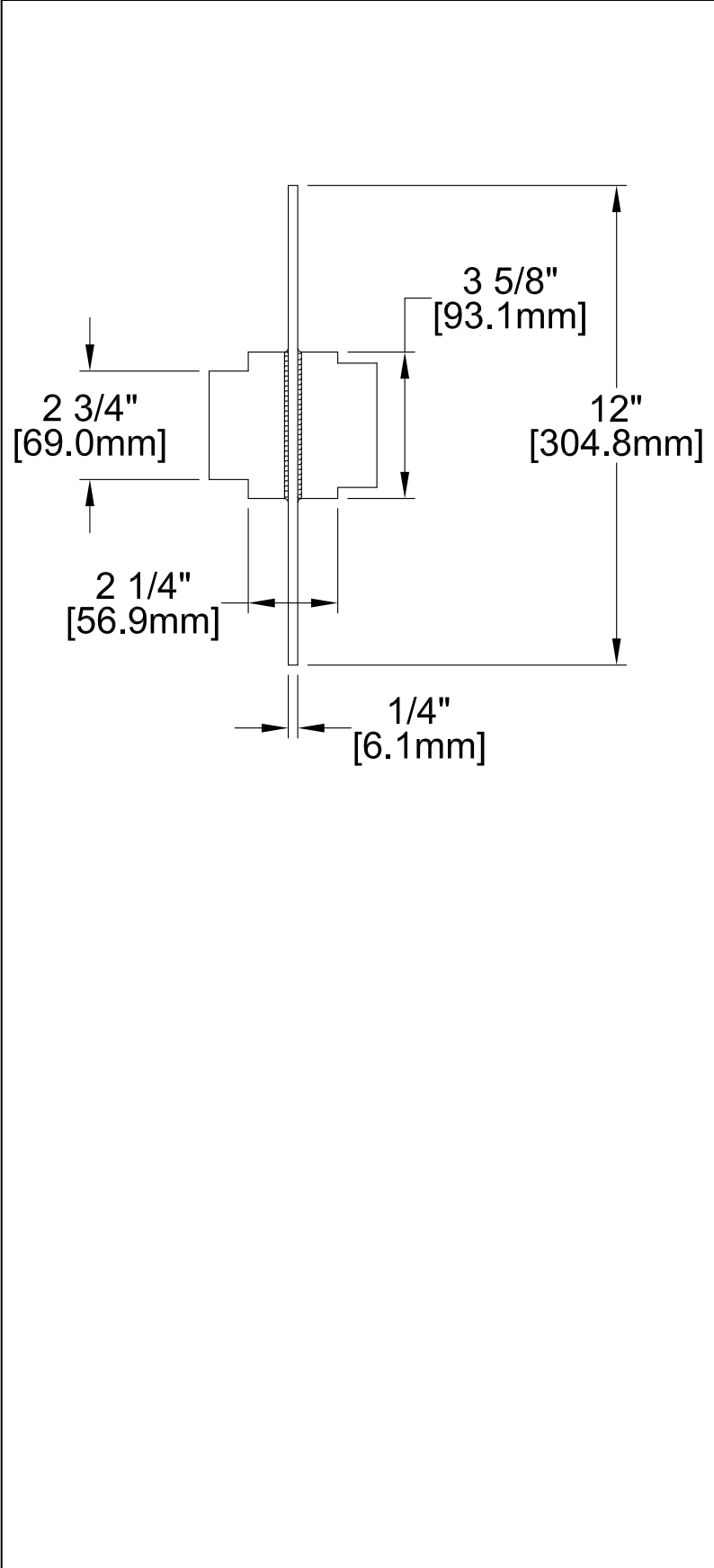
PRODUCT NAME:

SPANNER WRENCH BALL

SPEC. CNAC-TCR-XX

Customer/Wholesaler:	Date:	Job Name:	Model Specified:	Quantity:
----------------------	-------	-----------	------------------	-----------

Contractor:	Architect/Engineer:
-------------	---------------------



MODEL:
 22780 SPANNER WRENCH BALL

OPTIONS OR MODIFICATIONS:
 OTHER _____

FEATURES:
 * STAINLESS STEEL CONSTRUCTION
 SHIPPING WEIGHT
 * 1.75 LBS

Drawn: DF	Checked: EM	Approved: DF	Date: 11/25/20	Sheet: 1 of 1
-----------	-------------	--------------	----------------	---------------