



see what Delta can do™

## BATHROOM FAUCET

- Classic Series
- Single Handle Deck Mount

### STANDARD SPECIFICATIONS:

- Max. flow rate 1.2 gpm @ 60 psi, 4.5 L/min @ 414 kPa
- Two and three hole mount
- Solid brass fabricated body
- Diamond coated ceramic cartridge
- 3/8" O.D. copper supply tubes with 1/2"-14 NPSM adapters
- Models have 1/4" threaded mounting studs
- Models with suffix "MPU" have metal drain with pop-up type fitting with plated flange and stopper
- Lever handles have red/blue button

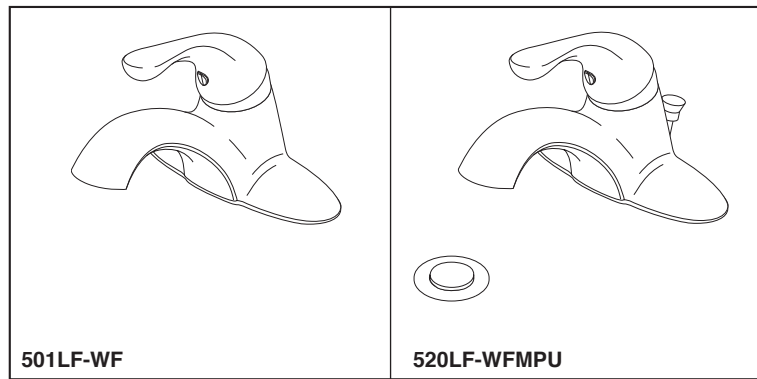
### WARRANTY

- Parts and Finish - Lifetime limited warranty; or for commercial purchasers, 10 years for multi-family residential (apartments and condominiums) and 5 years for all other commercial uses, in each case from the date of purchase.
- Electronic Parts and Batteries (if applicable) - 5 years from the date of purchase; or for commercial purchasers, 1 year from the date of purchase. No warranty is provided on batteries.

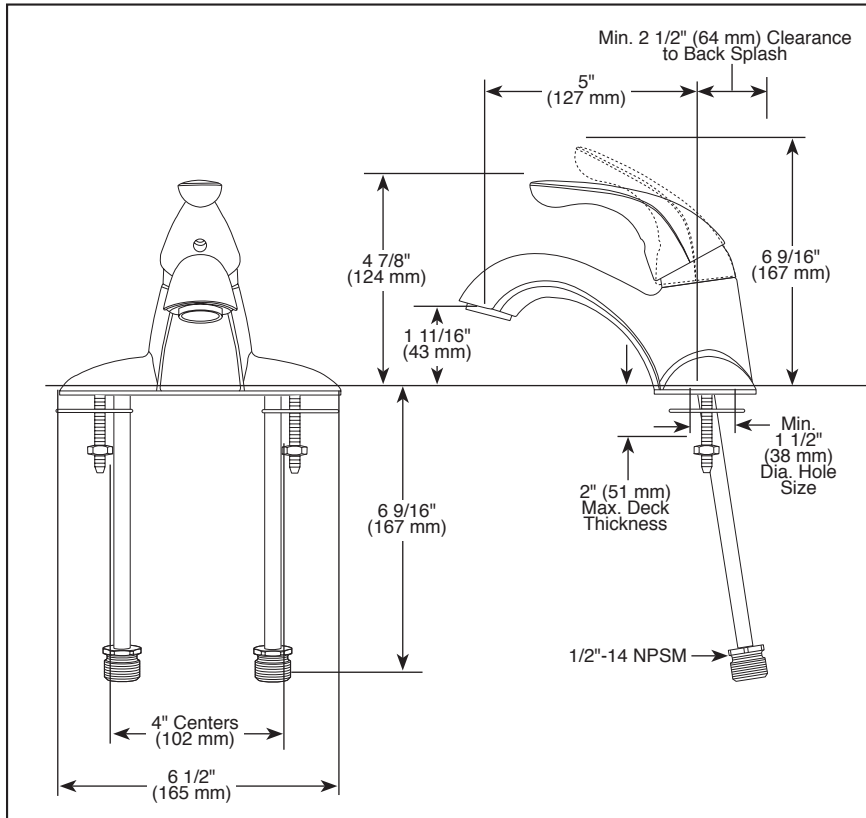


### COMPLIES WITH:

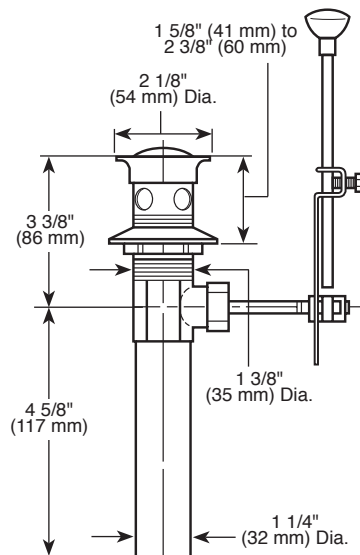
- ASME A112.18.1 / CSA B125.1
- ASME A112.18.2 / CSA B125.2
- Indicates compliance to ICC/ANSI A117.1 - Valve control only
- EPA WaterSense®
- Verified compliant with .25% weighted average Pb content regulations.



Submitted Model No.: \_\_\_\_\_  
 Specific Features: \_\_\_\_\_



### Metal Pop-Up



Delta reserves the right (1) to make changes in specifications and materials, and (2) to change or discontinue models, both without notice or obligation. Dimensions are for reference only. See current full-line price book or [www.deltafaucet.com](http://www.deltafaucet.com) for finish options and product availability.