

CRYSTORAMA

1958

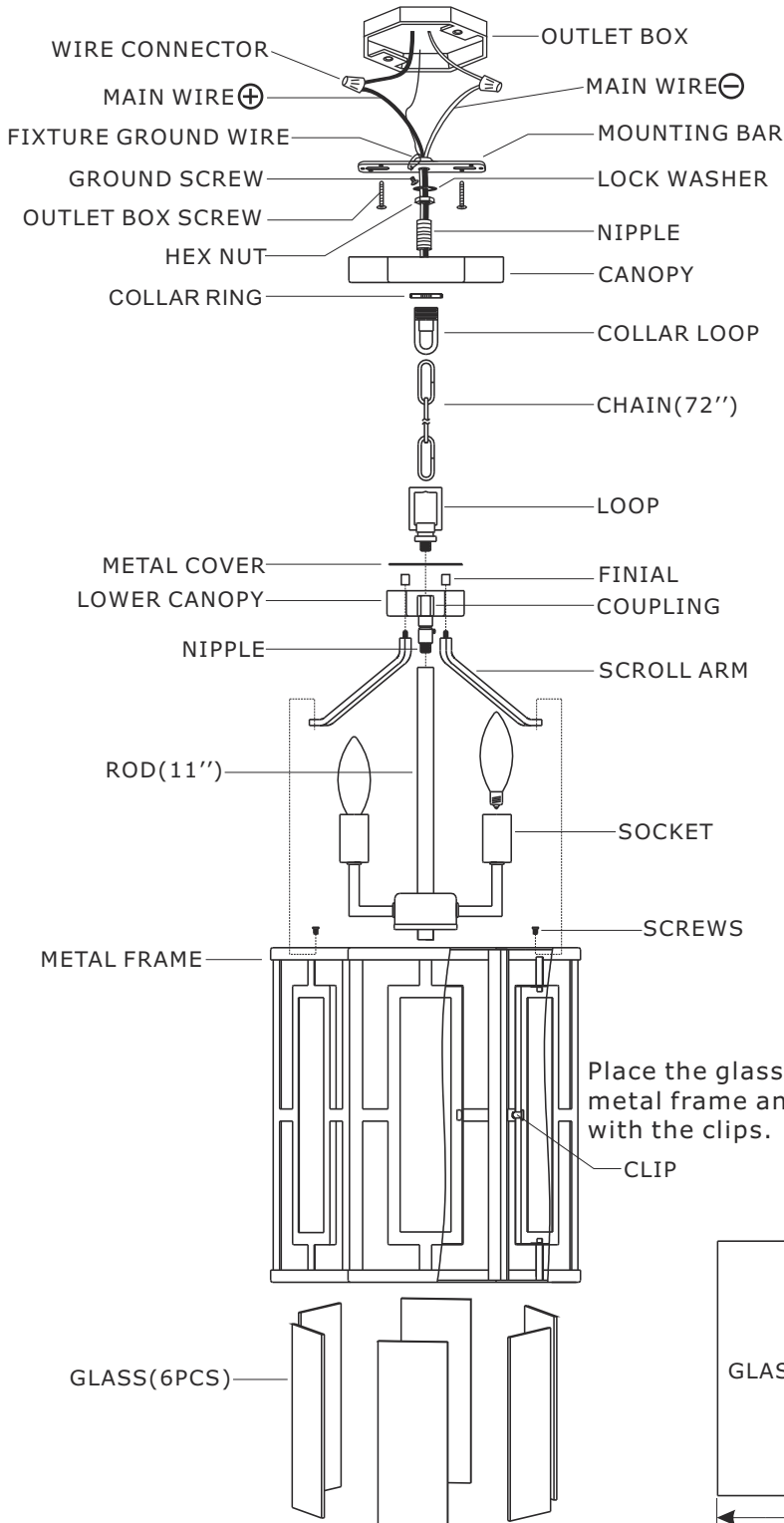
95 Cantiague Rock Road, Westbury, NY 11590 • toll free: 1.800.888.4470 fax: 516.931.1254 • info@crystorama.com • www.crystorama.com

MODEL#: HIL-997-VG/PN ASSEMBLY AND DRESSING INSTRUCTIONS



WARNING: This product can expose you to Lead which is known to the state of California to cause cancer and/or birth defects or reproductive harm. For more information go to www.P65Warnings.ca.gov

All electrical components must be installed by a licensed electrician in accordance with the National Electric Code and the appropriate local electrical codes.



Place the glass inside the metal frame and secure it with the clips.

You will need 3 Candelabra bulbs 60 Watts recommended, Use LED bulbs for Extended use. Bulb not included

HOW TO INSTALL:

1. ATTACH THE SCROLL ARM ONTO THE LOWER CANOPY BY THE FINIALS.
2. PUT THE METAL COVER ON TOP OF LOWER CANOPY AND SECURE IT WITH LOOP.
3. INSTALL THE GLASS ONTO THE METAL FRAME AND SECURE IT WITH CLIPS.
4. ATTACH METAL FRAME ONTO SCROLL ARM BY USING SCREWS.

